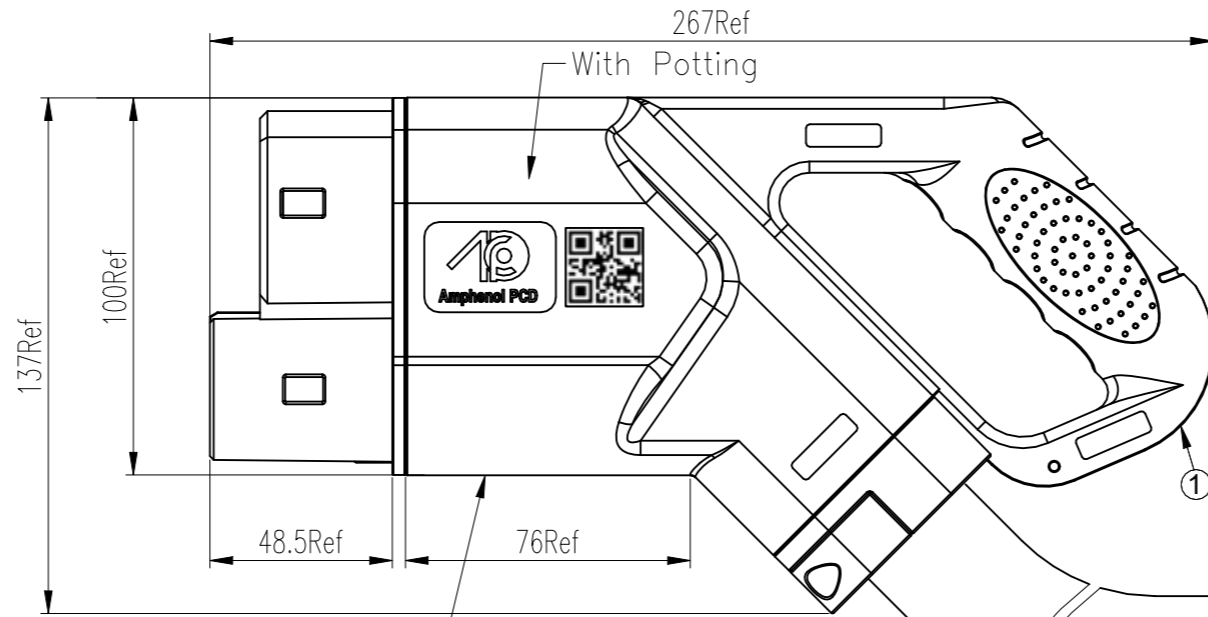
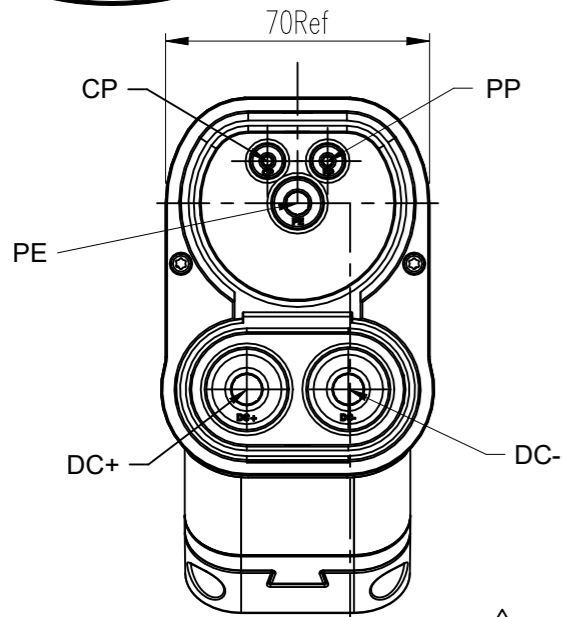
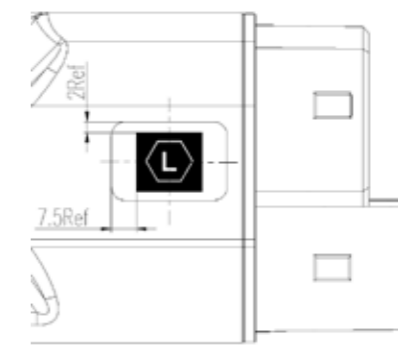


Amphenol  
ORIGINAL  
PDF Format  
R&D

REV	ECN	DESCRIPTION	DATE	MODIFIED
1		RELEASE	Dec-08-2023	
2	R7825N	ADDED 400A CURRENT NOTE	Feb-20-2024	
3	R7957N	UPATE LABEL TEXT ON METERING WIRES&NOTE	Mar-29-2024	



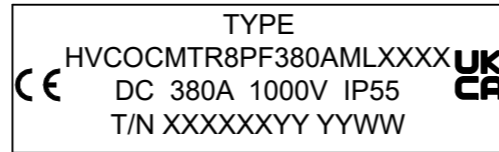
Identifier:



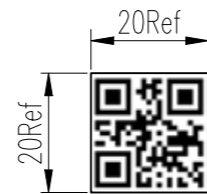
MODE OF CONNECTION:

Label	Wire Size	Color	Terminal
DC+	2 x 50mm <sup>2</sup>	(Red)	DC+
	0.75mm <sup>2</sup>	(Brown)	HV 1KV Metering+
Thermistor PT1000	0.75mm <sup>2</sup>	(White)	T1+
	0.75mm <sup>2</sup>	(Violet)	T1-
DC-	2 x 50mm <sup>2</sup>	(Black)	DC-
	0.75mm <sup>2</sup>	(Blue)	HV 1KV Metering-
Thermistor PT1000	0.75mm <sup>2</sup>	(Orange)	T2+
	0.75mm <sup>2</sup>	(White&Black)	T2-
PE	6mm <sup>2</sup>	(Yellow&Green)*	PE
PP	No cable		PP
CP	0.75mm <sup>2</sup>	(Gray)	CP

Laser marking



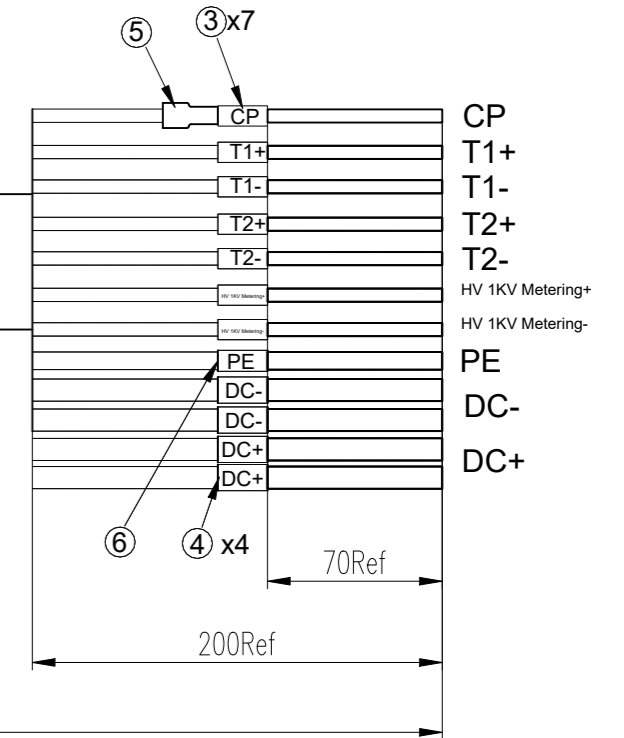
YYWW:Year/Week  
XXXXXXYY:Work order number+batch number  
LXXX:XXXX=Cable length



QR code Content including:

Part number  
#Work order number  
#Serial number ex:0001  
(ex:HVCOCMTR8PF380AML5000#XXXXXX#0001)

LENGTH	TOLERANCE
1~1000mm	±50
1001~5000mm	±100
>5000mm	±200



\*Notes:

- Cable assembly data:  
Storage temperature : -40°C ~ +80°C  
Ambient Temperature: -30°C~+50°C,(+55°C max,  
Current reduction required, when the working temperature is beyond 90°C)  
    - Rated Voltage:1000V DC(DC+&DC-) 30V DC(CP&PP);
    - Rated Current: CP&PP:2A Max;  
DC+&DC-: 380A(continuous)/500A(20 minutes max)/600A(10 minutes max);  
400A passed internal test in convection cabin
  - Insulation Resistance:DC 1000V/100MΩ Min(DC+&DC-&PE)  
DC 500V/100MΩ Min(CP&Thermistor wires&Metering wires);
  - Withstand Voltage:3000V/AC r.m.s(DC+&DC-&PE);  
500V/AC r.m.s(CP&Thermistor wires&Metering wires);
  - IP-Class: IP55(mated/un-mated); IP67/IP69(enclosure/initial)
  - Durability: 20000 cycles
  - RoHS Compliance
- 2.IEC Plug reference:C-HVCOCMTR8PFXXXAL0000  
3.Reference For, IEC 62196-3;EN17186  
4.Cable minimum bending radius:≥6XOD@Fixed installation,  
≥10XOD@Free movement  
5.For HV 1KV Metering wires:Please protect with insulated material at the tail if don't use both wires  
\*Ground wire is suitable for isolated DC EV supply equipment as reference earth or function earth.

ITEM	P/N	DESCRIPTION	QTY	UNIT
⑥	C210000081	SINGLE-WALL H.S.T: Ø5.0 WHITE	0.02	m
⑤	C210006341	DOUBLE-WALL H.S.T: Ø6 BLACK	0.06	m
④	C210006511	SINGLE-WALL H.S.T: Ø12.7 WHITE	0.12	m
③	C210006837	SINGLE-WALL H.S.T: Ø3.2 WHITE	0.14	m
②	Cable	4x50mm <sup>2</sup> +6mm <sup>2</sup> +8x0.75mm <sup>2</sup> OD=35.5±1mm	AR	m
①	HVCOCMTR8PF380AML0000	CCS2 380A PLUG	1	EA

DIMENSIONS	TOLERANCES	PROJECTION	TITLE		
ANSI Y14.5M	.X ± 0.5		Amphenol PCD Shenzhen		
UNITS: MM	.XX ±0.05		ENGR		
CAD FILE	ANGLES ±2.0°		Dec-08-2023		
ORIGINAL	THIS DOCUMENT CONTAINS PROPRIETARY INFORMATION WHICH IS THE CONFIDENTIAL PROPERTY OF Amphenol PCD Shenzhen Co. Ltd Amphenol PCD Shenzhen Co. Ltd RESERVES THE RIGHT TO CLARIFY THIS DRAWING		CHKD	SIZE	DWG NO.
			APPD	A3	C-HVCOCMTR8PF380AMLXXXX
				SCALE	REV
				1:2	3
				SHEET	1 OF 1