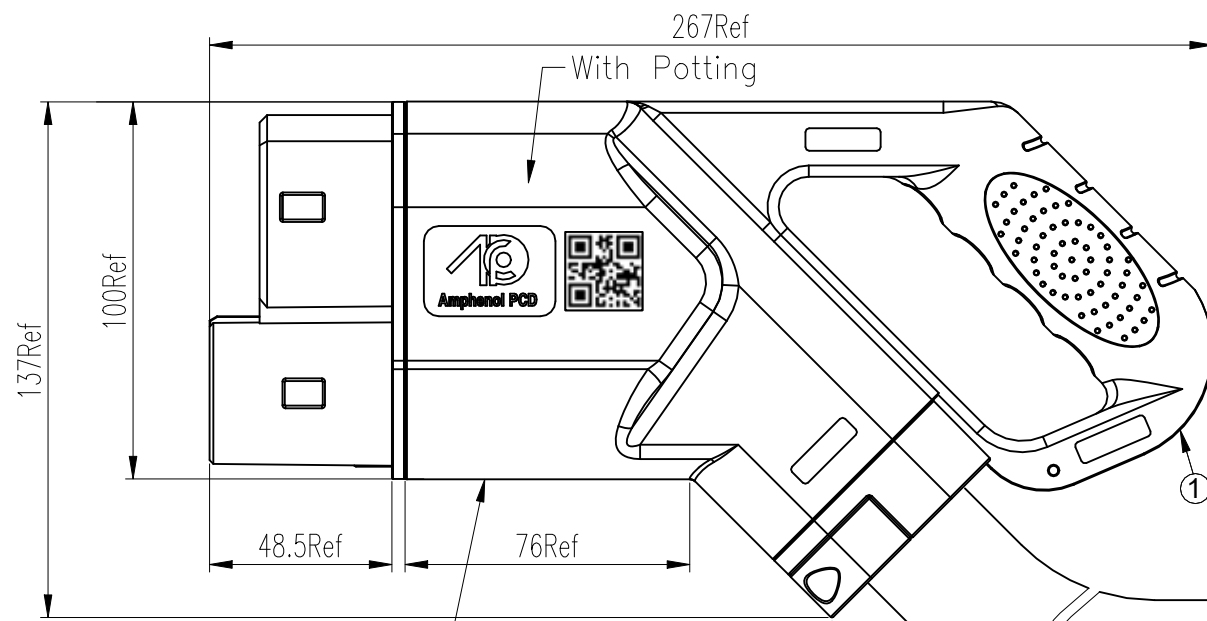
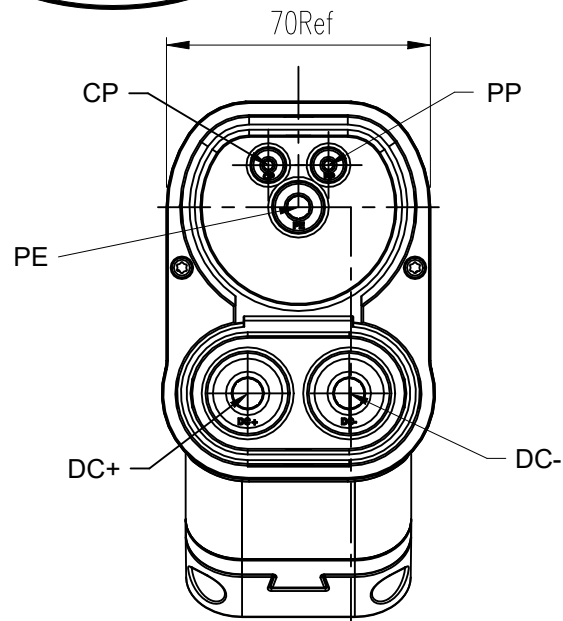
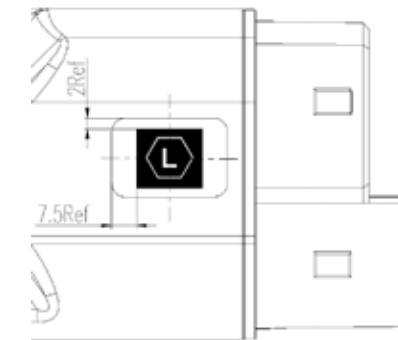


Amphenol  
ORIGINAL  
PDF Format  
R&D

REV	ECN	DESCRIPTION	DATE	MODIFIED
1		RELEASE	Nov-13-2023	
2	R7957N	UPDATE LABEL TEXT ON METERING WIRES&NOTE	Mar-29-2024	



Identifier:



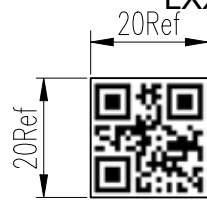
MODE OF CONNECTION:

Terminal	Wire Size & Color	Label
DC+	2 x 50mm <sup>2</sup> (Red)	DC+
	0.75mm <sup>2</sup> (Brown)	HV 1KV Metering+
Thermistor PT1000	0.75mm <sup>2</sup> (White)	T1+
	0.75mm <sup>2</sup> (Violet)	T1-
DC-	2 x 50mm <sup>2</sup> (Black)	DC-
	0.75mm <sup>2</sup> (Blue)	HV 1KV Metering-
Thermistor PT1000	0.75mm <sup>2</sup> (Orange)	T2+
	0.75mm <sup>2</sup> (White&Black)	T2-
PE	4mm <sup>2</sup> (Yellow&Green)	PE
PP	No cable	PP
CP	0.75mm <sup>2</sup> (Gray)	CP

Laser marking

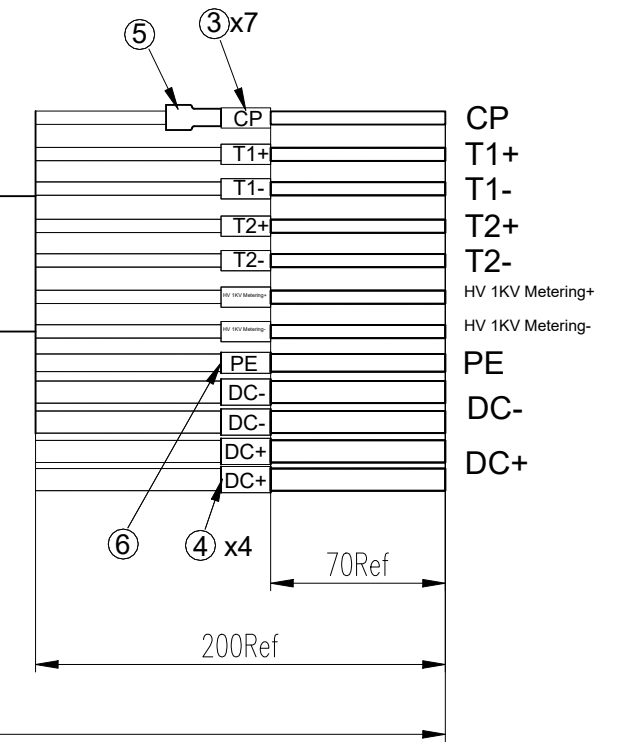
TYPE  
HVCOCMTR8PF350AMLXXXX  
DC 350A 1000V IP55  
T/N XXXXXYY YYWW

YYWW:Year/Week  
XXXXXXYY:Work order number+batch number  
LXXXX:XXXX=Cable length



QR code Content including:  
Part number  
#Work order number  
#Serial number ex:0001  
(ex:HVCOCMTR8PF350AML5000#XXXXXX#0001)

LENGTH	TOLERANCE
1~1000mm	±50
1001~5000mm	±100
>5000mm	±200



\*Notes:

- Cable assembly data:  
Storage temperature : -40°C ~ +80°C  
Ambient Temperature: -30°C~+50°C,(+55°C max,  
Current reduction required, when the working temperature is beyond 90°C)
  - Rated Voltage:1000V DC(DC+&DC-) 30V DC(CP&PP);
  - Rated Current: 2A Max(CP&PP);350A Max(DC+&DC-)
  - Insulation Resistance:DC 1000V/100MΩ Min(DC+&DC-&PE)  
DC 500V/100MΩ Min(CP&Thermistor wires);
  - Withstand Voltage:3000V/AC r.m.s(DC+&DC-&PE);  
500V/AC r.m.s(CP&Thermistor wires);
  - IP-Class: IP55(mated/un-mated); IP67(enclosure/initial)
  - Durability: 20000 cycles
  - RoHS Compliance
  - IEC Plug reference:C-HVCOCMTR8PFXXXAL0000
  - Reference For, IEC 62196-3;EN17186
  - Cable minimum bending radius:≥6XOD(Fixed installation)
  - For HV 1KV Metering wires:Please protect with insulated material at the tail if don't use both wires
- \*Ground wire is suitable for isolated DC EV supply equipment as reference earth or function earth.

ITEM	P/N	DESCRIPTION	QTY	UNIT
⑥	C210000081	SINGLE-WALL H.S.T: Ø5.0 WHITE	0.02	m
⑤	C210006341	DOUBLE-WALL H.S.T: Ø6 BLACK	0.06	m
④	C210006511	SINGLE-WALL H.S.T: Ø12.7 WHITE	0.12	m
③	C210006837	SINGLE-WALL H.S.T: Ø3.2 WHITE	0.14	m
②	Cable	4x50mm <sup>2</sup> +4mm <sup>2</sup> +2x0.75mm <sup>2</sup> P2+6x0.75mm <sup>2</sup> OD=34±1mm	AR	m
①	HVCOCMTR8PF350AML0000	CCS2 350A PLUG	1	EA

DIMENSIONS	TOLERANCES	PROJECTION	TITLE		
ANSI Y14.5M UNITS: MM CAD FILE	.X ± 0.5 .XX ±0.05 ANGLES ±2.0°		Amphenol PCD Shenzhen		
ORIGINAL	THIS DOCUMENT CONTAINS PROPRIETARY INFORMATION WHICH IS THE CONFIDENTIAL PROPERTY OF Amphenol PCD Shenzhen Co. Ltd. Amphenol PCD Shenzhen Co. Ltd RESERVES THE RIGHT TO CLARIFY THIS DRAWING		CHKD	Nov-13-2023	ENGR
			SIZE	DWG NO.	REV
			A3	C-HVCOCMTR8PF350AMLXXXX	2
			SCALE	SHEET	1 OF 1
			1:2	1 OF 1	