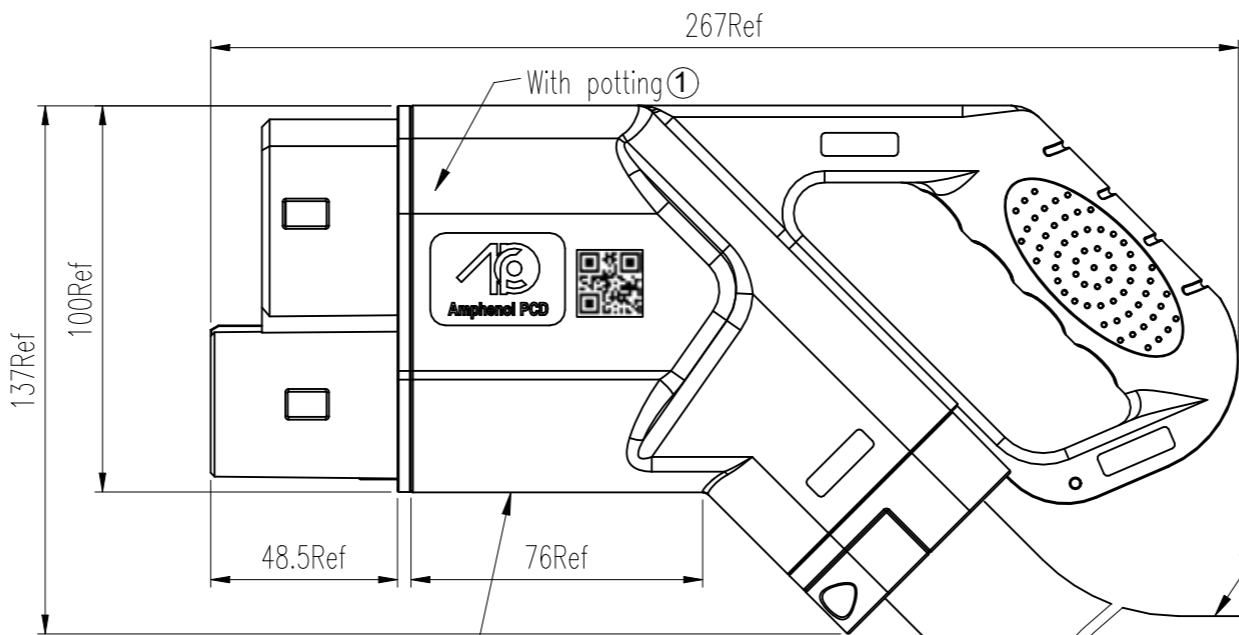
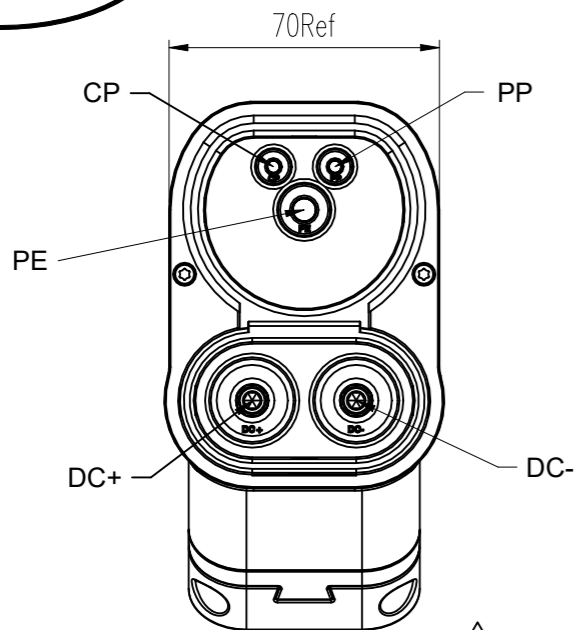


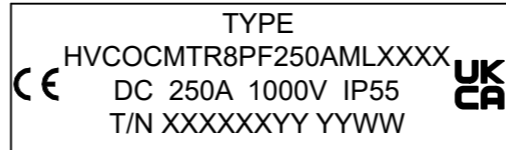
| REV | ECN | DESCRIPTION | DATE | MODIFIED |
|------|--------|--|-------------|----------|
| V0-1 | | RELEASE | Nov-13-2023 | |
| V0-2 | R7957N | UPDATE LABEL TEXT ON METERING WIRES&NOTE | Mar-29-2024 | |

Amphenol
ORIGINAL
PDF Format
R&D



MODE OF CONNECTION:

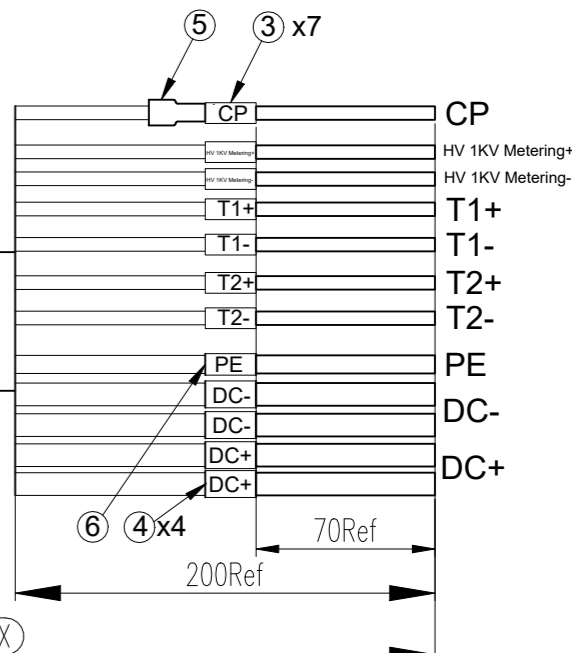
| Label | Wire Size | Color |
|------------------|-----------------------|----------------|
| DC+ | 2 x 35mm ² | (Red) |
| HV 1KV Metering+ | 0.75mm ² | (Red) |
| T1+ | 0.75mm ² | (White) |
| T1- | 0.75mm ² | (Violet) |
| DC- | 2 x 35mm ² | (Black) |
| HV 1KV Metering- | 0.75mm ² | (White&Black) |
| T2+ | 0.75mm ² | (Orange) |
| T2- | 0.75mm ² | (Green) |
| PE | *4mm ² | (Yellow&Green) |
| PP | No cable | |
| CP | 0.75mm ² | (Gray) |



YYWW:Year/Week
XXXXXXYY:Work order number+batch number
LXXX:XXXX=Cable length

QR code Content including:

Part number
#Work order number
#Serial number ex:0001
(ex:HVCOCMTR8PF250AML5000#XXXXXX#0001)



| LENGTH | TOLERANCE |
|-------------|-----------|
| 0~1000mm | ±50 |
| 1001~5000mm | ±100 |
| >5000mm | ±200 |

*Notes:

1.Cable assembly data:

- Storage temperature : -40°C ~ +80°C
- Ambient Temperature: -30°C~+50°C,(+55°C max,
- Current reduction required, when the working temperature is beyond 90°C)
- Rated Voltage:1000V DC(DC+&DC-) 30V DC(CP&PP);
- Rated Current: 2A Max(CP&PP);250A Max(DC+&DC-)
- Insulation Resistance:DC 1000V/100MΩ Min(DC+&DC-&PE)
- DC 500V/100MΩ Min(CP&Thermistor wires);
- Withstand Voltage:3000V/AC r.m.s(DC+&DC-&PE);
- 500V/AC r.m.s(CP&Thermistor wires);
- IP-Class: IP55(mated/un-mated); IP67(enclosure/initial)
- Durability: 20000 cycles
- RoHS Compliance
- IEC Plug reference:C-HVCOCMTR8PFXXXAL0000
- Reference For, IEC 62196-3;EN17186
- Cable minimum bending radius:≥10XOD
- For HV 1KV Metering wires:Please protect with insulated material at the tail if don't use both wires
- *Ground wire is suitable for isolated DC EV supply equipment as reference earth or function earth.

| ITEM | P/N | DESCRIPTION | QTY | UNIT |
|------|-----------------------|--|------|------|
| ⑥ | C210000081 | SINGLE-WALL H.S.T: Ø5.0 WHITE | 0.02 | m |
| ⑤ | C210006341 | DOUBLE-WALL H.S.T: Ø6 BLACK | 0.03 | m |
| ④ | C210006511 | SINGLE-WALL H.S.T: Ø12.7 WHITE | 0.10 | m |
| ③ | C210006837 | SINGLE-WALL H.S.T: Ø3.2 WHITE | 0.14 | m |
| ② | Cable | 4x35mm ² +4mm ² +8x0.75mm ² OD=31.5±1 | AR | m |
| ① | HVCOCMTR8PF250AML0000 | CCS2 250A PLUG | 1 | EA |

| DIMENSIONS | TOLERANCES | PROJECTION | TITLE | | |
|-------------|--|------------|-----------------------|-------|-------------------------|
| ANSI Y14.5M | .X ± 0.50 | | Amphenol PCD Shenzhen | | |
| UNITS: MM | .XX ± 0.05 | | ENGR | | |
| CAD FILE | ANGLES ± 2' | | Nov-13-2023 | | |
| ORIGINAL | THIS DOCUMENT CONTAINS PROPRIETARY INFORMATION WHICH IS THE CONFIDENTIAL PROPERTY OF Amphenol PCD Shenzhen Co. Ltd Amphenol PCD Shenzhen Co. Ltd RESERVES THE RIGHT TO CLARIFY THIS DRAWING | | CHKD | SIZE | DWG NO. |
| | | | APPD | A3 | C-HVCOCMTR8PF250AMLXXXX |
| | | | | SCALE | 1:1 |
| | | | | SHEET | 1 OF 1 |
| | | | | REV | 2 |