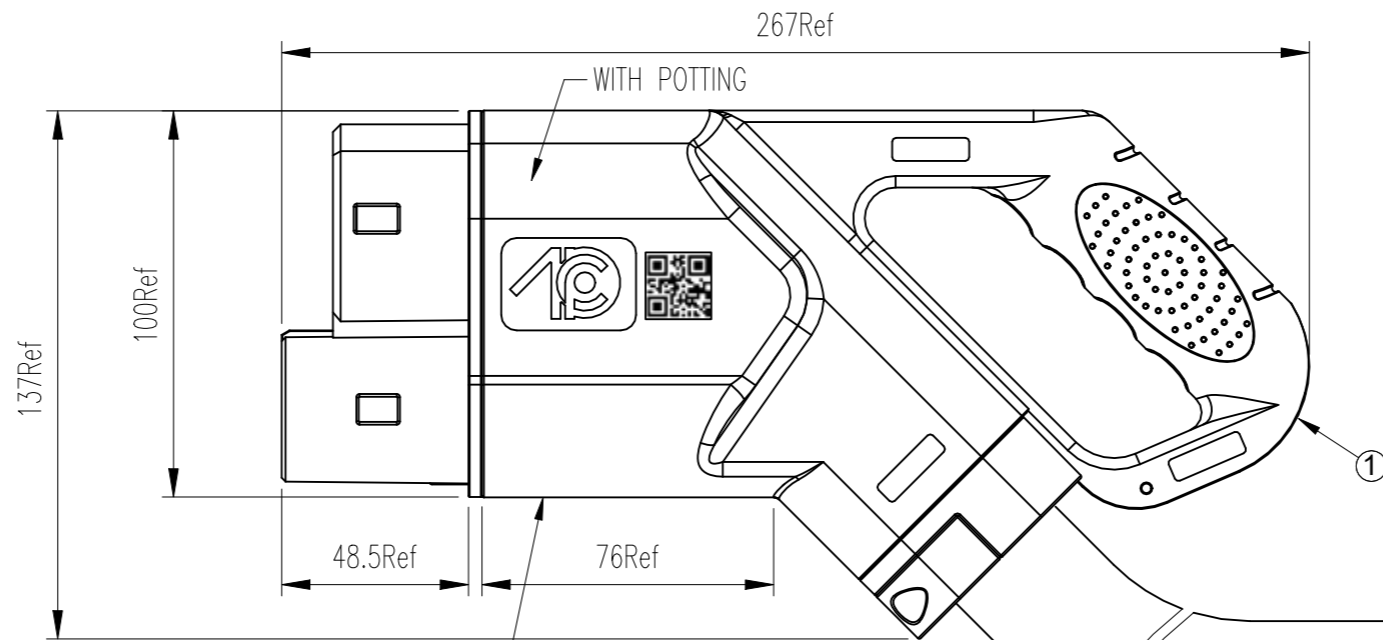
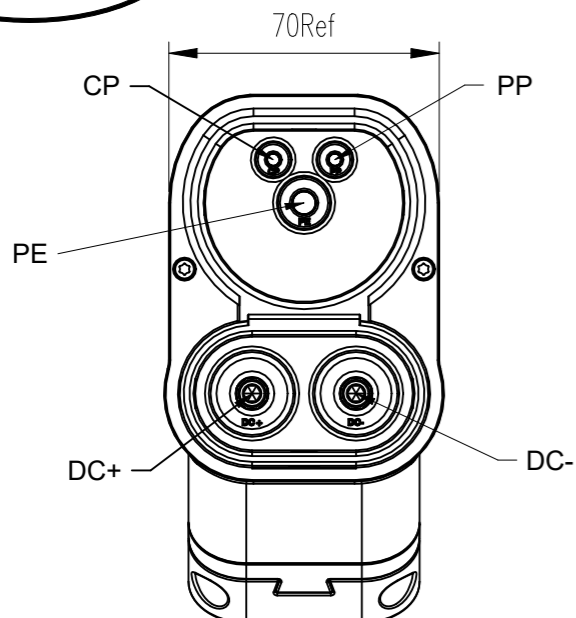
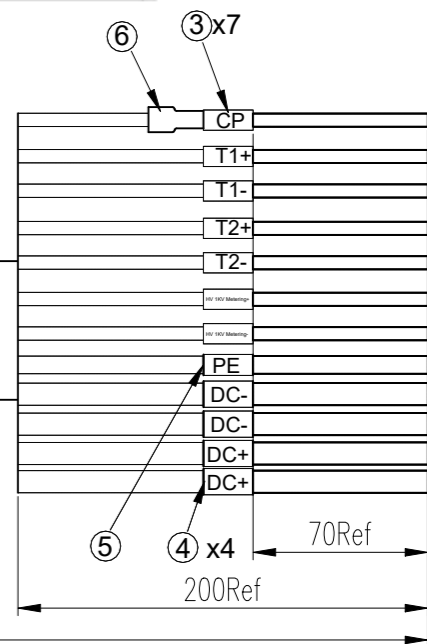
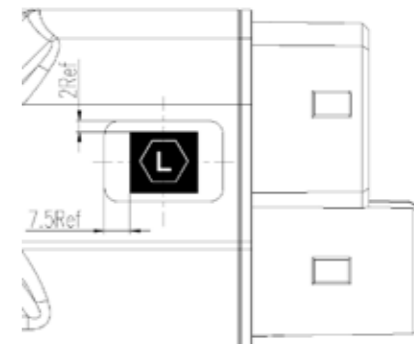


REV	ECN	DESCRIPTION	DATE	MODIFIED
1		RELEASE	Nov-13-2023	
2	R7957N	UPDATE LABEL TEXT ON METERING WIRES&NOTE	Mar-29-2024	

Amphenol
ORIGINAL
PDF Format
R&D

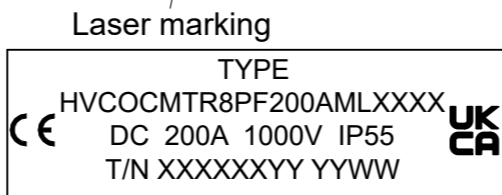


Identifier:

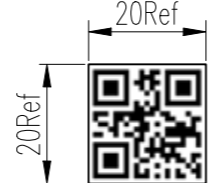


MODE OF CONNECTION:

Label	Wire	Terminal
DC+ I	2 x 25mm ² (Red)	DC+
	0.75mm ² (Red)	HV 1KV Metering+
Thermistor PT1000	0.75mm ² (White)	T1+
	0.75mm ² (Violet)	T1-
DC- I	2 x 25mm ² (Black)	DC-
	0.75mm ² (White&Black)	HV 1KV Metering-
Thermistor PT1000	0.75mm ² (Orange)	T2+
	0.75mm ² (Green)	T2-
PE I	*4mm ² (Yellow&Green)	PE
PP I	No cable	PP
CP I	0.75mm ² (Gray)	CP



YYWW:Year/Week
XXXXXXYY:Work order number+batch number
LXXXX:XXXX=Cable length



QR code Content including:
Part number
#Work order number
#Serial number ex:0001
(ex:HVCOCMTR8PF200AML5000#XXXXXX#0001)

LENGTH	TOLERANCE
0~1000mm	±50
1001~5000mm	±100
>5000mm	±200

*Notes:

- Cable assembly data:
Storage temperature : -40°C ~ +80°C
Ambient Temperature: -30°C~+50°C,(+55°C max,
Current reduction required, when the working temperature is beyond 90°C)
 - Rated Voltage:1000V DC(DC+&DC-) 30V DC(CP&PP);
 - Rated Current: 2A Max(CP&PP);200A Max(DC+&DC-)
 - Insulation Resistance:DC 1000V/100MΩ Min(DC+&DC-&PE)
DC 500V/100MΩ Min(CP&Thermistor wires);
 - Withstand Voltage:3000V/AC r.m.s(DC+&DC-&PE);
500V/AC r.m.s(CP&Thermistor wires);
 - IP-Class: IP55(mated/un-mated); IP67(enclosure/initial)
 - Durability: 20000 cycles
 - RoHS Compliance
- 2.IEC Plug reference:C-HVCOCMTR8PFXXXAL0000
3.Reference For, IEC 62196-3;EN17186
4.Cable minimum bending radius:≥10XOD
5.For HV 1KV Metering wires:Please protect with insulated material at the tail if don't use both wires
*Ground wire is suitable for isolated DC EV supply equipment as reference earth or function earth.

ITEM	P/N	DESCRIPTION	QTY	UNIT
⑥	C210006341	DOUBLE-WALL H.S.T: Ø6.0 BLACK	0.03	m
⑤	C210000081	SINGLE-WALL H.S.T: Ø5 WHITE	0.02	m
④	P05B000019	SINGLE-WALL H.S.T: Ø10 WHITE	0.04	m
③	C210006837	SINGLE-WALL H.S.T: Ø3.2 WHITE	0.15	m
②	Cable	4x25mm ² +4mm ² +2x0.75mm ² P2+6x0.75mm ² OD=28±1	AR	m
①	HVCOCMTR8PF200AML0000	CCS2 200A PLUG-POTTING	1	EA

DIMENSIONS	TOLERANCES	PROJECTION	TITLE	
ANSI Y14.5M UNITS: MM CAD FILE	.X ± 0.50 .XX ± 0.05 ANGLES ± 2'		CCS2 PLUG 200AM-POTTING CABLE ASSEMBLY	
ORIGINAL	THIS DOCUMENT CONTAINS PROPRIETARY INFORMATION WHICH IS THE CONFIDENTIAL PROPERTY OF Amphenol PCD Shenzhen Co. Ltd Amphenol PCD Shenzhen Co. Ltd RESERVES THE RIGHT TO CLARIFY THIS DRAWING		SIZE A3	DWG NO. C-HVCOCMTR8PF200AMLXXXX
			SCALE 1:1	SHEET 1 OF 1