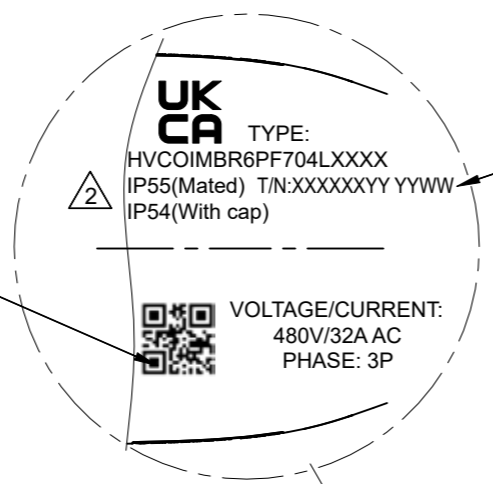


REV	ECN	DESCRIPTION	DATE	MODIFIED
1		RELEASE	Aug-17-2023	
2	R7786W	ADD IP55 AND IP54	Apr-19-24	

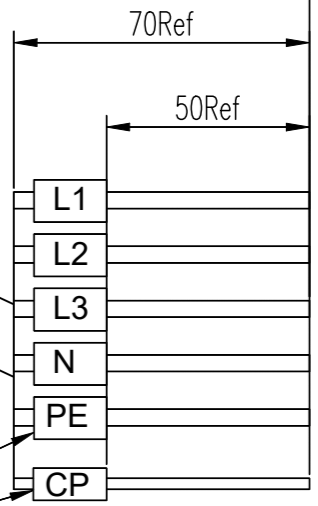
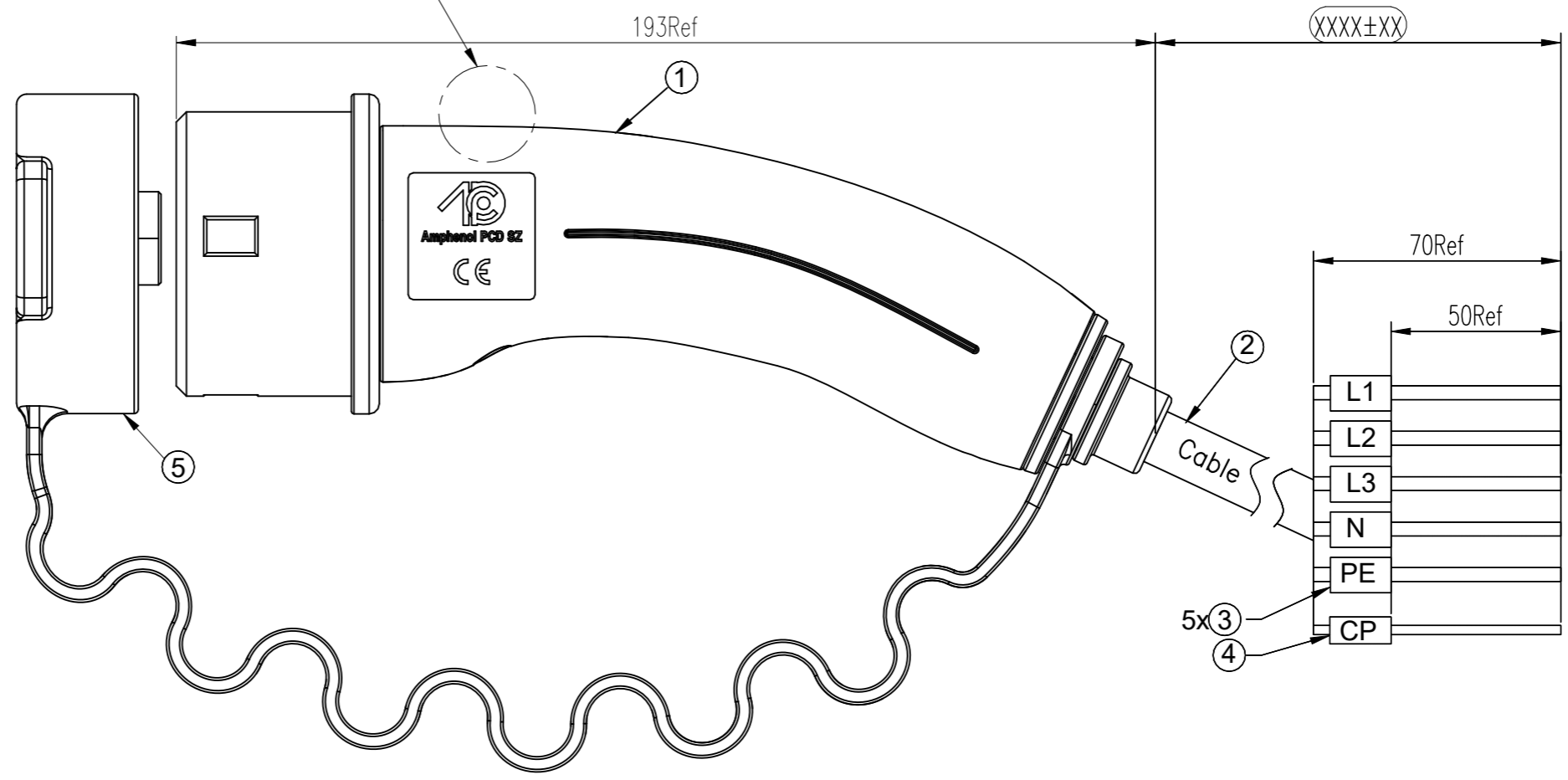
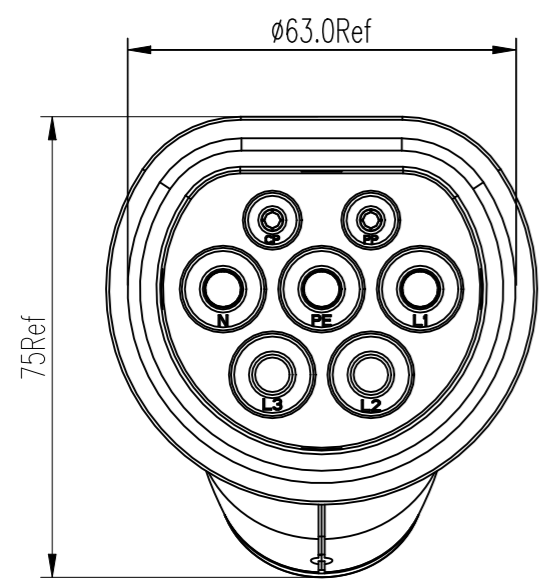
Amphenol PCD S
ORIGINAL
PDF Format
R&D

Laser Marking



T/N:XXXXXXXX YYWW
Work order number + batch number+year+Week
Font: Arial 2Ref

QR code content including:
HVCOIMBR6PF704LXXXX#Work order number#Serial number



C-HVCOIMBR6PF704LXXXX

C-HVCOIMBR6PF704LXXXX

DIMENSIONS ANSI Y14.5M UNITS: MM	TOLERANCES .X ± 0.5 .XX ±0.05 ANGLES ±2.0°	PROJECTION 	Amphenol PCD Shenzhen			TITLE IEC VEHICLE CONNECTOR 32A 3-PHASE SHUTTER CABLE ASSEMBLY-POTTING		
			ENGR Aug-17-2023			SIZE A3	DWG NO. C-HVCOIMBR6PF704LXXXX	REV 2
ORIGINAL	THIS DOCUMENT CONTAINS PROPRIETARY INFORMATION WHICH IS THE CONFIDENTIAL PROPERTY OF Amphenol PCD Shenzhen Co. Ltd Amphenol PCD Shenzhen Co. Ltd RESERVES THE RIGHT TO CLARIFY THIS DRAWING		CHKD APPD		SCALE 1:1		SHEET 1 OF 2	

Identifier:
Comply with EN17186
Position:

MODE OF CONNECTION:

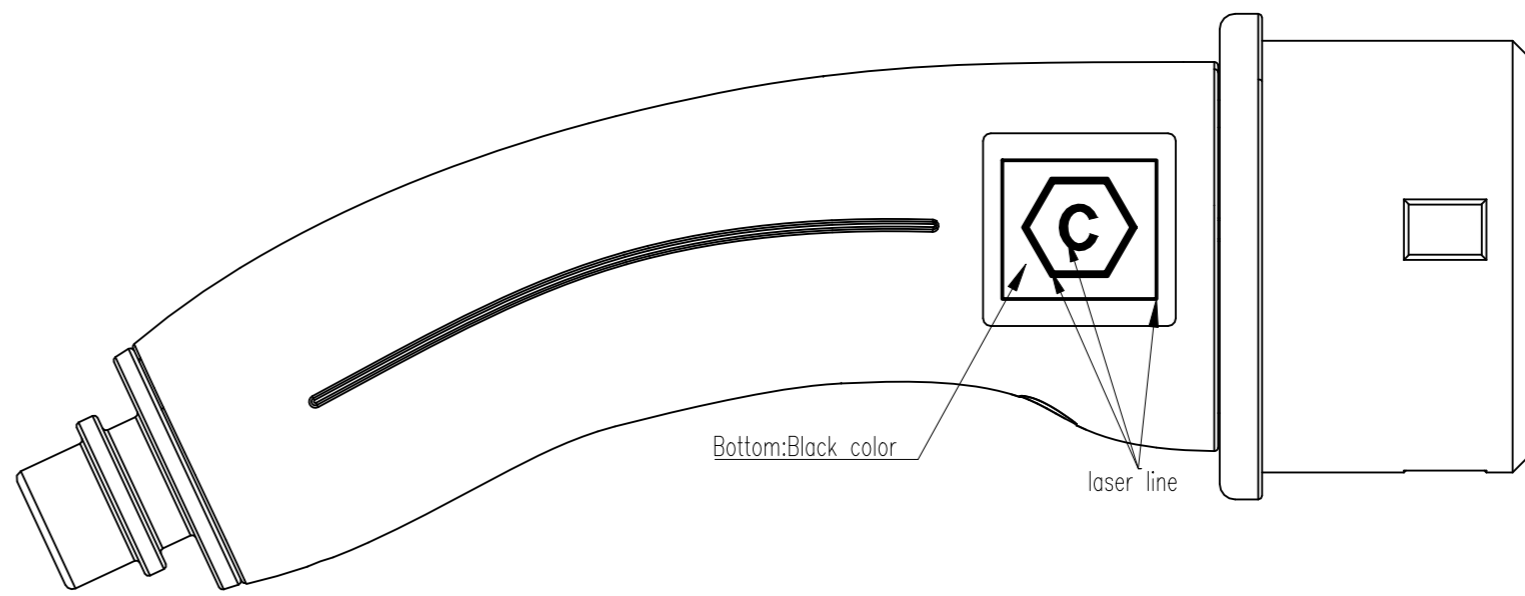
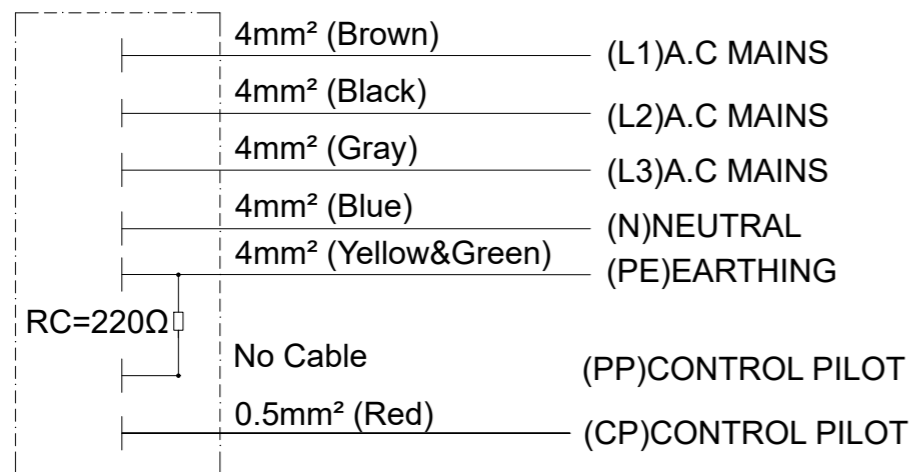
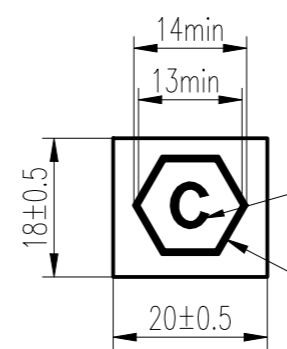


Photo see below:



Size see below:



Can not print EN17186 Identifier until Amphenol gets Certificate

"C"
Place in the middle of hexagon
Font: Arial Bold, Size:5mm min
Line thickness:0.5mm min

- *Notes:
- Cable assembly data:
 - Rated Voltage:480VAC(L1&L2&L3&N& PE),30VDC(PP & CP);
 - Rated Current:32A Max(L1&L2&L3&N),2A Max(PP & CP);
 - Insulation Resistance:100MΩ Min(DC500V);
 - Withstand Voltage:2000V/AC r.m.s;
 - IP-Class: IP54(with CAP fitted) IP55(when mated) IP67 for enclosure;
 - Comply With RoHS;
 - Durability: ≥ 10000 cycles;
 - Ambient Temperature: -30°C ~ +50°C;
 - IEC Plug reference: C-HVCOIMBR6PXXXXLXXXX;
 - Reference: IEC 62196-2 , EN17186;
 - Minimun bending radius:142mm;
 - C-HVCOIMBR6PF704LXXXX

Length(mm)	Tolerance
0~1000	±50
1001~5000	±100
>5000	±200

⑤	P01BP00382	DUST CAP FOR PLUG	1	EA
④	P05B000002	SINGLE-WALL H.S.T: Ø2.5 WHITE	0.02	m
③	P05B000006	SINGLE-WALL H.S.T: Ø6.0 WHITE	0.10	m
②	CABLE	5C*4mm² +1C*0.5mm² BK OD=14.2±0.4	AR	m
①	HVCOIMBR6PF704L0000	VEHICLE CONNECTOR, 3P,32A,BLACK	1	EA
ITEM	P/N	DESCRIPTION	QTY	UNIT

SIZE	DWG NO.	REV
A3	C-HVCOIMBR6PF704LXXXX	2
SCALE	1:1	SHEET 2 OF 2

C-HVCOIMBR6PF704LXXXX

C-HVCOIMBR6PF704LXXXX