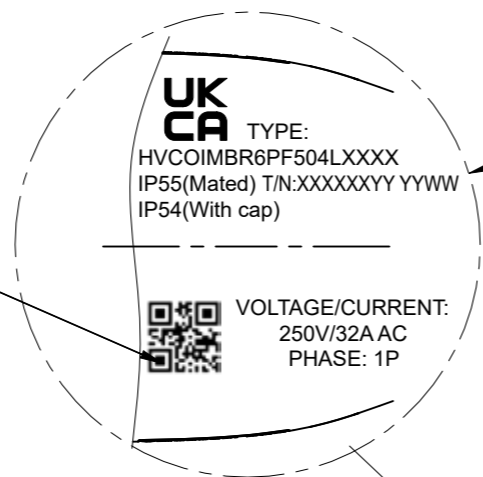


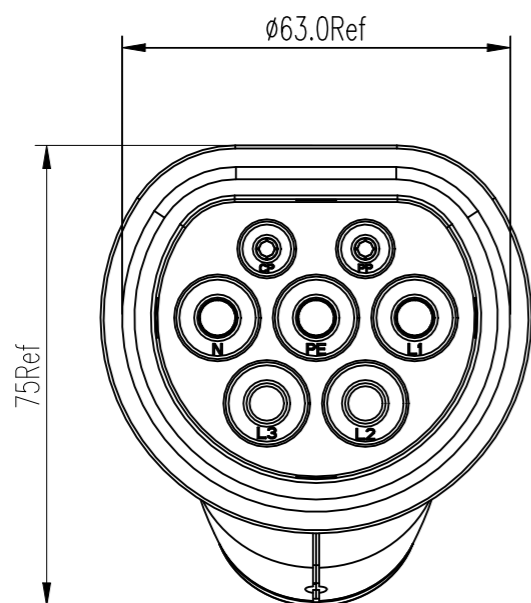
REV	ECN	DESCRIPTION	DATE	MODIFIED
1		PRE-RELEASE	Feb-26-2024	
2	R7786W	ADD IP55 AND IP54	Apr-19-24	

Laser Marking

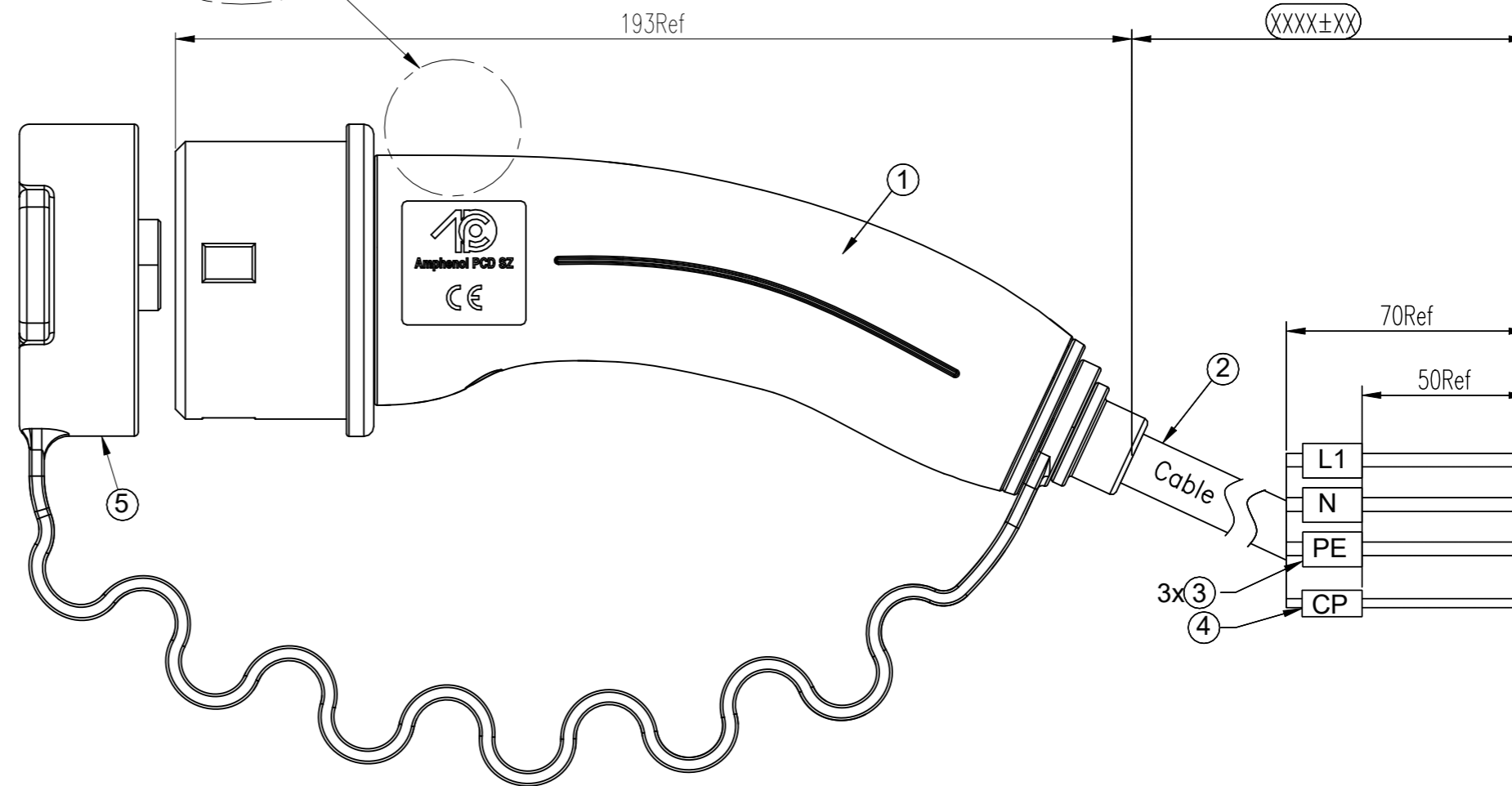


T/N:XXXXXXXXYY YYWW
Work order number + batch number+year+Week
Font: Arial 2Ref \triangle

QR code content including:
HVCOIMBR6PF504LXXXX#Work order number#Serial number



Vehicle connector



DIMENSIONS	TOLERANCES	PROJECTION	TITLE		
ANSI Y14.5M UNITS: MM	.X ± 0.5 .XX ± 0.05 ANGLES $\pm 2.0^\circ$		IEC VEHICLE CONNECTOR 32A SINGLE PHASE CABLE ASSEMBLY -POTTING		
ORIGINAL	THIS DOCUMENT CONTAINS PROPRIETARY INFORMATION WHICH IS THE CONFIDENTIAL PROPERTY OF Amphenol PCD Shenzhen Co. Ltd Amphenol PCD Shenzhen Co. Ltd RESERVES THE RIGHT TO CLARIFY THIS DRAWING		Amphenol PCD Shenzhen	Feb-26-2024	
		ENGR	CHKD	SIZE A3	DWG NO. C-HVCOIMBR6PF504LXXXX
		APPD	SCALE 1:1	SHEET 1 OF 2	

Amphenol PCD S
ORIGINAL
PDF Format
R&D

C-HVCOIMBR6PF504LXXXX

C-HVCOIMBR6PF504LXXXX

Identifier:
Comply with EN17186
Position:

MODE OF CONNECTION:

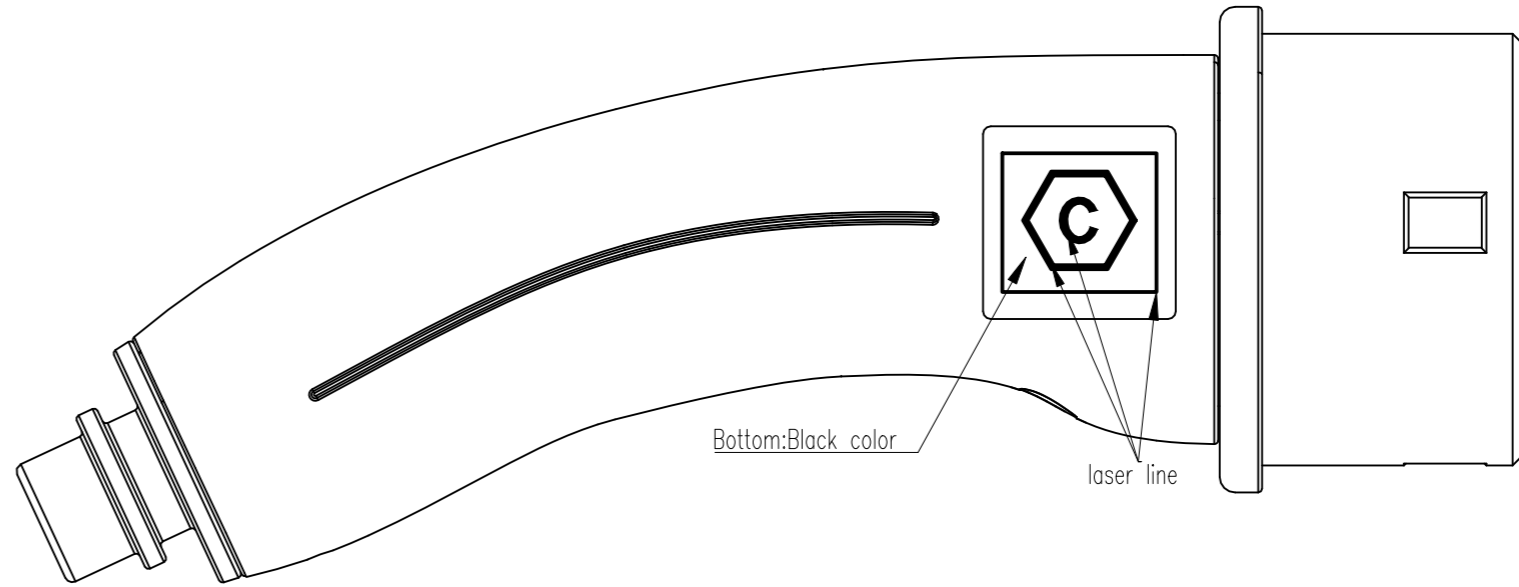
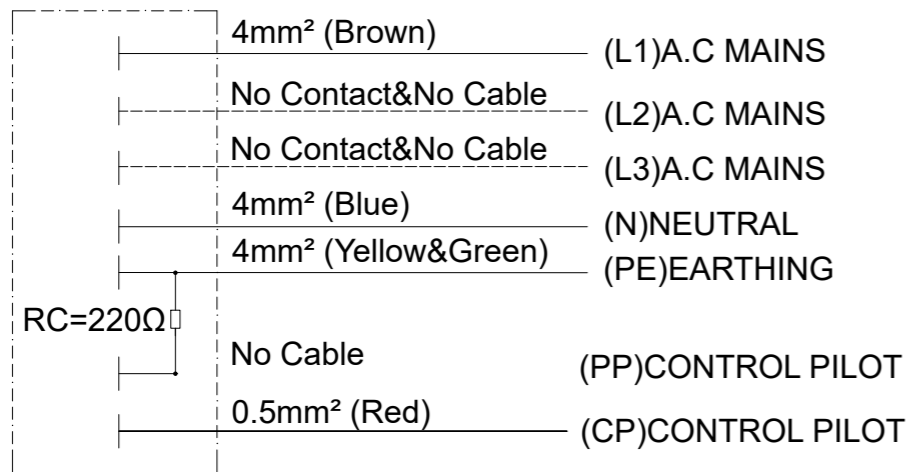
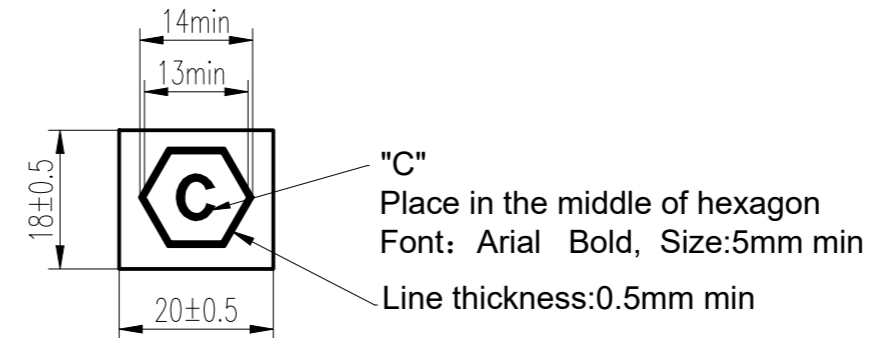


Photo see below:

Size see below:



*Notes:

- Cable assembly data:
 - Rated Voltage:250VAC(L1& N & PE),30VDC(PP & CP);
 - Rated Current:32A Max(L1& N),2A Max(PP & CP);
 - Insulation Resistance:100MΩ Min(DC500V);
 - Withstand Voltage:2000V/AC r.m.s;
 - IP-Class: IP54(with CAP fitted) IP55(when mated) IP67 for enclosure;
 - Comply With RoHS;
 - Durability: ≥ 10000 cycles;
 - Ambient Temperature: -30°C ~ +50°C;
- IEC Plug reference: C-HVCOIMBR6PF504L0000;
- Reference: IEC 62196-2 , EN17186;
- Minimun bending radius:128mm;
- HVCOIMBR6PF504LXXXX

Length(mm)	Tolerance
0~1000	±50
1001~5000	±100
>5000	±200

⑤	P01BP00382	DUST CAP FOR VEHICLE CONNECTOR, BLACK	1	EA
④	P05B000002	SINGLE-WALL H.S.T: Ø2.5 WHITE	0.02	m
③	P05B000006	SINGLE-WALL H.S.T: Ø6.0 WHITE	0.06	m
②	CABLE	3C*4mm ² +1C*0.5mm ² BK OD=11.5±0.4	AR	m
①	HVCOIMBR6PF504N0000	VEHICLE CONNECTOR, 1P,32A,BLACK	1	EA
ITEM	P/N	DESCRIPTION	QTY	UNIT

SIZE	DWG NO.	REV
A3	C-HVCOIMBR6PF504LXXXX	2
SCALE	1:1	SHEET 2 OF 2