

REV	ECN	DESCRIPTION	DATE	MODIFIED
1		RELEASE	Jan-28-2024	
2		PE WIRE CHANGED TO 6mm <sup>2</sup>	Feb-22-2024	

Amphenol PCD SZ  
ORIGINAL  
PDF Format  
R&D

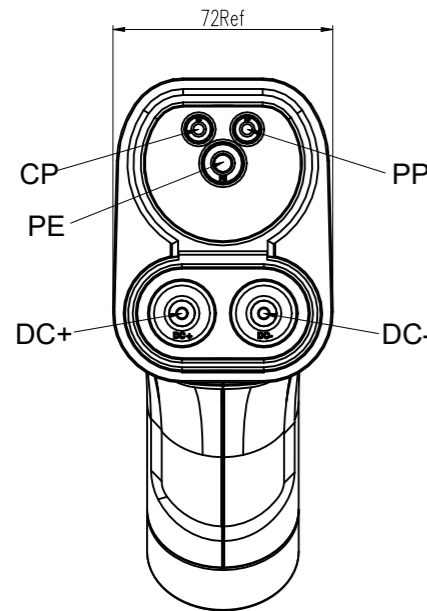
Laser marking on plug

TYPE:HVCO21011  
DC:1000V 500A  
IP Class:IP44(when not mated)  
IP55(when mated)  
TN : XXXXXYY YYWW

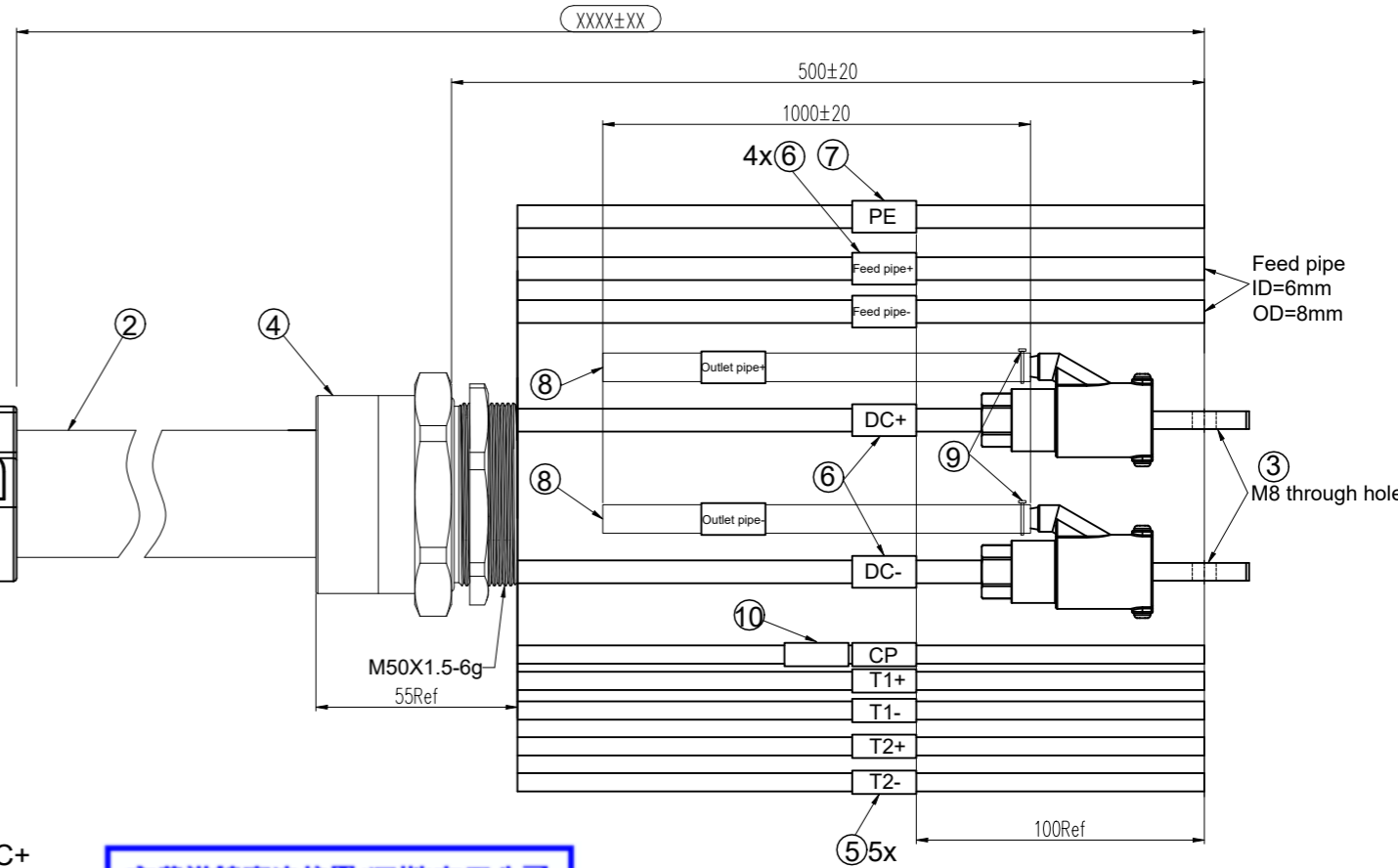
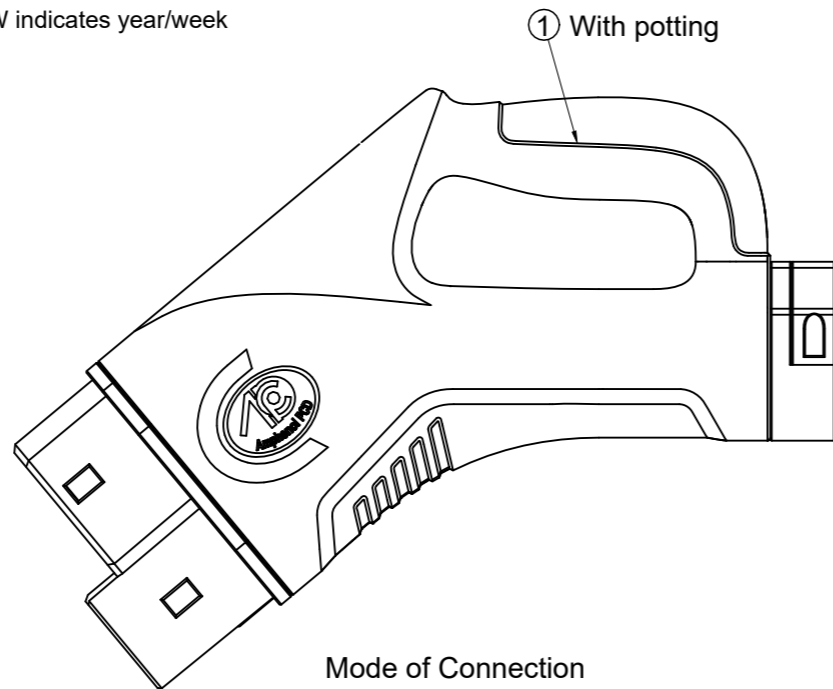


Can not print CE logo until Amphenol gets certificate

XXXXXXYY: Work order number+branch number  
YYWW indicates year/week



Front view of plug



Mode of Connection

DC+ I	35mm <sup>2</sup>	DC+
THERMISTOR PT1000	0.5mm <sup>2</sup> (White)	T1+
	0.5mm <sup>2</sup> (Brown)	T1-
DC- I	35mm <sup>2</sup> (with black line)	DC-
THERMISTOR PT1000	0.5mm <sup>2</sup> (Orange)	T2+
	0.5mm <sup>2</sup> (Black)	T2-
PE I	6mm <sup>2</sup> (Yellow&Green)	PE
PP I	(NO CABLE)	
CP I	0.5mm <sup>2</sup> (Sky blue)	CP

LENGTH	TOLERANCE
0~1000mm	±50
1001~5000mm	±100
>5000mm	±200

DIMENSIONS	TOLERANCES	PROJECTION
ANSI Y14.5M	.X ± 0.50	
UNITS: MM	.XX ± 0.05	
CAD FILE	ANGLES ± 2'	

ORIGINAL

THIS DOCUMENT CONTAINS PROPRIETARY INFORMATION WHICH IS THE CONFIDENTIAL PROPERTY OF Amphenol PCD Shenzhen Co. Ltd  
Amphenol PCD Shenzhen Co. Ltd RESERVES THE RIGHT TO CLARIFY THIS DRAWING

安费诺精密连接器(深圳)有限公司  
Amphenol PCD Shenzhen  
受控文件  
2024年3月11日

ITEM	P/N	DESCRIPTION	QTY	UNIT
⑩	C210006342	DOUBLE-WALL H.S.T: Ø4.0 BLACK	0.03	m
⑨	P01BN01331	STEPLESS EAR CLAMP/SUS304	2	EA
⑧	P01BN01497	TUBING PIPE,OD=8,ID=6	2.0	m
⑦	C210000081	SINGLE-WALL H.S.T: Ø5.0 WHITE	0.03	m
⑥	C210006511	SINGLE-WALL H.S.T: Ø12.7 WHITE	0.12	m
⑤	C210006837	SINGLE-WALL H.S.T: Ø3.2 WHITE	0.15	m
④	P02B000220	CABLE GLAND,M50	1	EA
③	P02B00028601	TERMINAL OF DC WIRE,M8	2	EA
②	P01BC00542	2x35mm <sup>2</sup> +TUBES+6mm <sup>2</sup> +8x0.5mm <sup>2</sup> Black OD=31±0.5	AR	m
①	HVCO21011	CCS2 500A COOLING PLUG,1000V,BLACK	1	EA

\*Notes:

- Cable assembly data:
  - Rated Voltage:1000V DC(DC+&DC-),30V DC(CP&PP);
  - Rated Current: CP&PP: 2A;
  - DC+&DC-:150A/Without coolant
  - 500A/With coolant(rated current CE qualified );
  - 600A/With coolant(Test passed);
  - 850A/With coolant peak\*.
- Insulation Resistance:
  - 100MΩ Min/1000V DC(DC+&DC-&PE)
  - 100MΩ Min/500V DC(CP&Thermistor wire)
- Withstand Voltage:
  - 3000V/AC r.m.s(DC+&DC-&PE);
  - 500V/AC r.m.s(CP&PP&Thermistor wire)
- IP-Class: IP67/IP69( enclosure);IP44(Plugged in);
- RoHS Compliance
- Ambient Temperature: -40°C ~ +50°C (+55°C max,  
Current reduction required, when the coolant temperature is beyond 85°C)
- IEC Plug reference:C-HVCO21011
- Reference For, IEC 62196-3-1
- Cable Minimum Bending Radius: ≥ 8XOD(Static applications);  
≥ 10XOD (Dynamic applications)
- Durability: 20000 cycles
- Working Pressure:0~7bar; Coolant: Dielectric coolant
- Ground wire is suitable for isolated DC EV supply equipment as reference earth or function earth.
- \*only if user monitored coolant temperautre not excess 85°C,can support 850A peak once have sufficient cooling ability.

TITLE		C-COOLING PLUG(HANDLE) 500A CABLE ASSEMBLY	
Amphenol PCD Shenzhen	ENGR	Jan-28-2024	
CHKD	APPD	SIZE A3	DWG NO. C-HVCO21011LXXXX
		SCALE 1:1	SHEET 1 OF 1
			REV 2

C-HVCO21011LXXXX

C-HVCO21011LXXXX