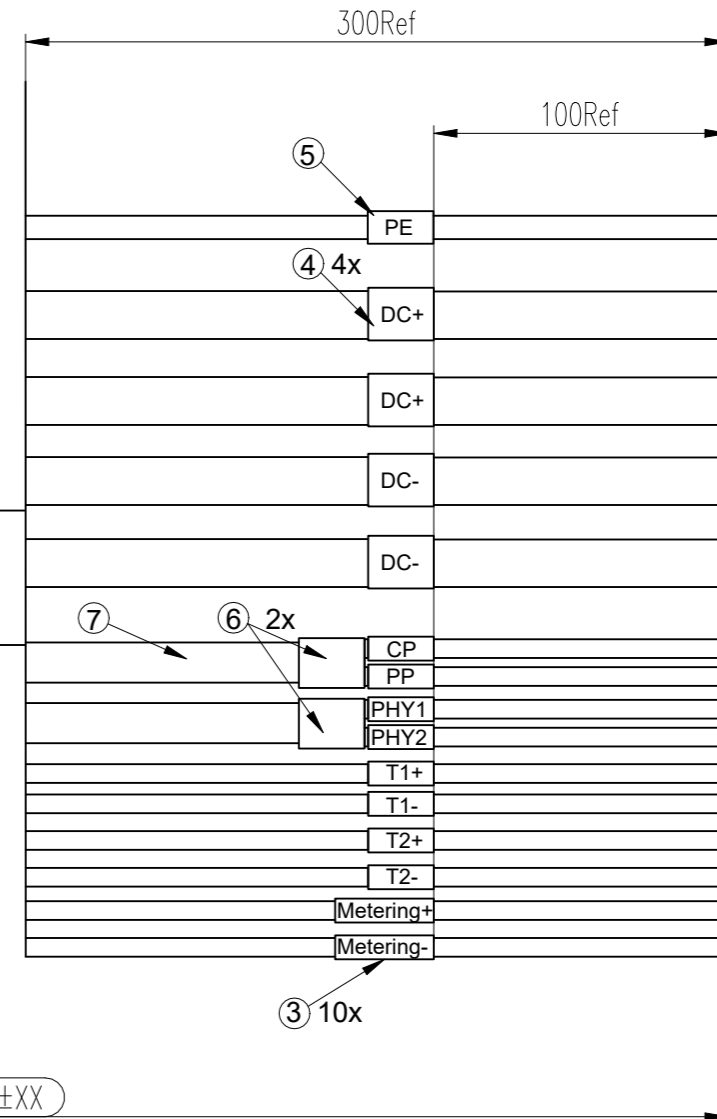
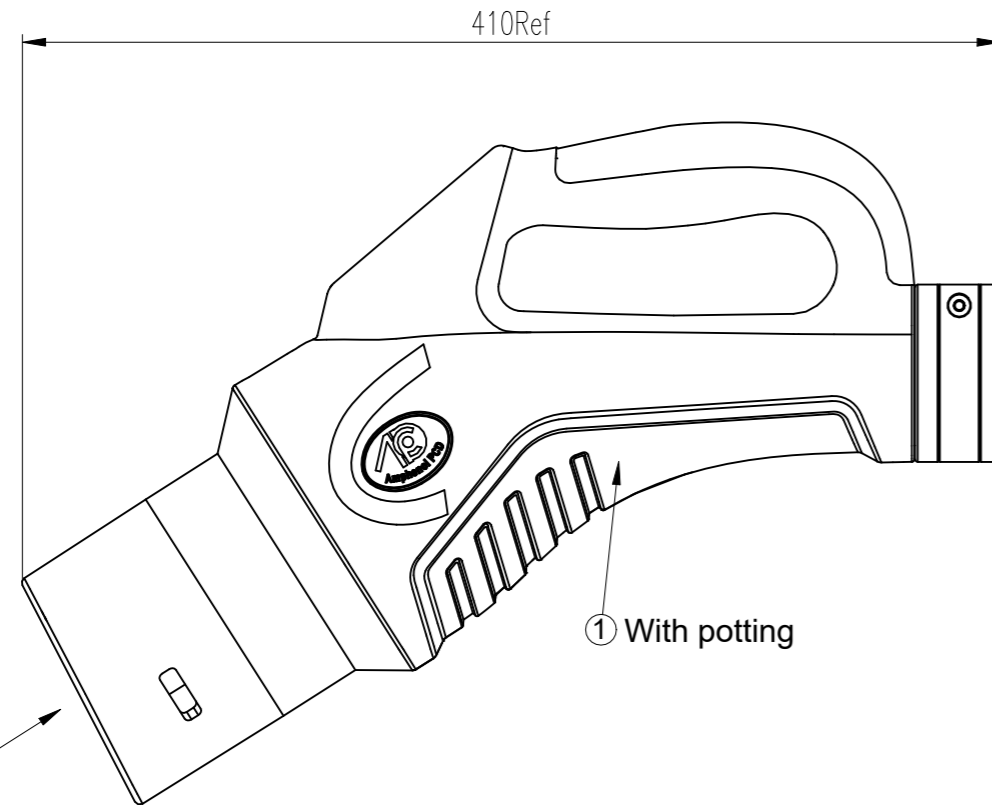
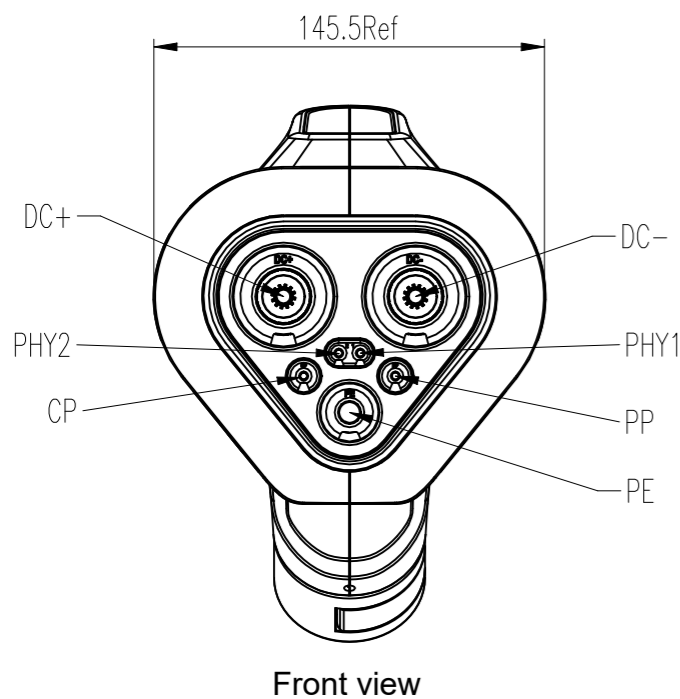


REV	ECN	DESCRIPTION	DATE	MODIFIED
1		PER RELEASE	Dec-07-2023	

Amphenol PCD SZ
ORIGINAL
PDF Format
R&D

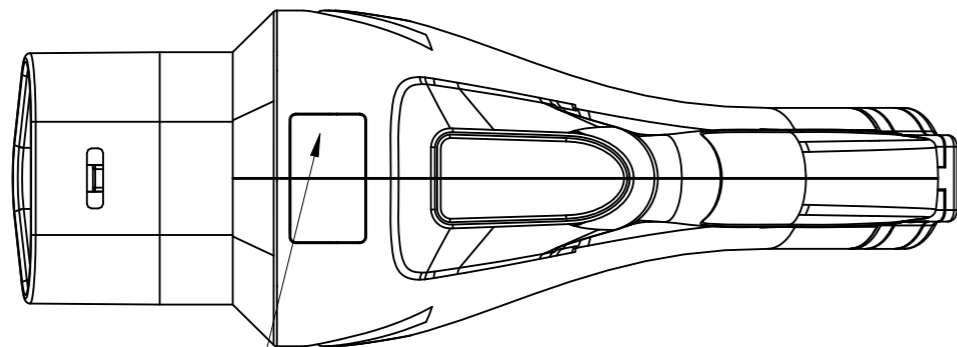


Total Length	Tolerance
0~1000mm	±50
1001~5000mm	±100
>5000mm	±200

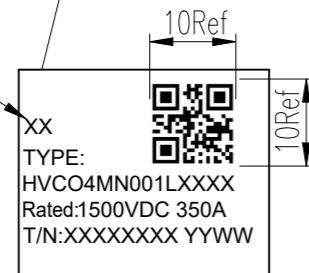


DIMENSIONS	TOLERANCES	PROJECTION	TITLE		
ANSI Y14.5M UNITS: MM CAD FILE	.X ± 0.50 .XX ± 0.05 ANGLES ± 2°		MCS 350A VEHICLE CONNECTOR CABLE ASSEMBLY		
ORIGINAL	THIS DOCUMENT CONTAINS PROPRIETARY INFORMATION WHICH IS THE CONFIDENTIAL PROPERTY OF Amphenol PCD Shenzhen Co. Ltd Amphenol PCD Shenzhen Co. Ltd RESERVES THE RIGHT TO CLARIFY THIS DRAWING		Amphenol PCD Shenzhen		ENGR Max.Ma
			CHKD	Dec-07-2023	
			SIZE A3	DWG NO. C-HVCO4MN001LXXXX	REV 1
			SCALE NA	SHEET 1 OF 2	

Marking



CN:Made in China
MX:Made in Mexico
US:Made in US

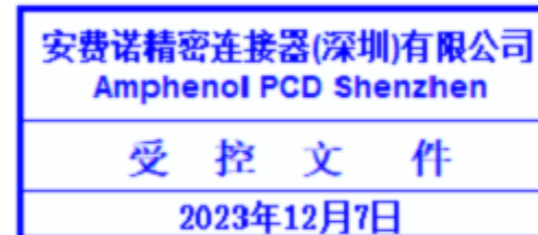


QR code,
Content including:Part number
#Work order number XXXXXX
Serial number XXXX ex:0001
(ex:HVCO4MN001L5000#123456#0001)

T/N:XXXXXXXX YYWW
Work order number + Batch number+Year+Week
Font: Arial 3mm Ref

Mode of Connection

MCS connector	Wire size and color	Label
DC+ I	2x50mm ² (Red)	DC+
	0.5mm ² (Red)	Metering+
	0.5mm ² (White)	T1+
	0.5mm ² (Brown)	T1-
DC- I	2x50mm ² (Black)	DC-
	0.5mm ² (Blue)	Metering-
	0.5mm ² (Gray)	T2+
	0.5mm ² (Black)	T2-
PE I	25mm ² (Yellow&Green)	PE
R=10KΩ PPI I	1.0mm ² (Orange)	PP
CP I	1.0mm ² (Sky blue)	CP
PHY1 I	0.5mm ² (Green)	PHY1
PHY2 I	0.5mm ² (White)	PHY2



*Notes:

1.Cable assembly data:

- ✦ Rated Voltage:1500V DC(DC+&DC-),30V DC(CP&PP&PHY1&PHY2);
- ✦ Rated Current: 350A Max(DC+&DC-) @ the max permissible temperature is 100°C
2A Max(PHY1&PHY2), 10A Max(CP&PP);
- ✦ Insulation Resistance:100MΩ Min(1500V DC FOR DC+&DC-,500V DC for others)
- ✦ Withstand Voltage : 4000V/AC r.m.s(DC+&DC-); Others 500V/AC r.m.s
- ✦ IP-Class: IP67(enclosure);IP44(Plugged in)
- ✦ RoHS Compliance

2.Ambient Temperature: -40°C ~ +50°C(+55°C max, Current reduction required,when the working temperature is beyond 100°C)

Storage temperature:-40°C ~ +80°C

3.IEC Plug reference:C-HVCO4MN001

4.Cable Minimum Bending Radius:≥6XOD

©5.Durability: ≥ 20000 cycles

6.Weight of cable: app 3kg/m Weight of charging connector: app 3.5 kg/EA

⑦	C2100054031	SINGLE-WALL H.S.T: Ø8.0 BLACK	0.2	m
⑥	C210006440	DOUBLE-WALL H.S.T: Ø8.0 BLACK	0.1	m
⑤	P05B000019	SINGLE-WALL H.S.T: Ø10 WHITE	0.02	m
④	C210006511	SINGLE-WALL H.S.T: Ø12.7 WHITE	0.1	m
③	P05B000029	SINGLE-WALL H.S.T: Ø3.2 WHITE	0.2	m
②	P01BC00513	4x50mm ² +1x25mm ² +8x0.5mm ² +2x1.0mm ² BK OD=37±1	AR	m
①	HVCO4MN001	MCS 350A VEHICLE CONNECTOR	1	EA
ITEM	P/N	DESCRIPTION	QTY	UNIT

SIZE	DWG NO.	REV
A3	C-HVCO4MN001LXXXX	1
SCALE	NA	SHEET
		2 OF 2