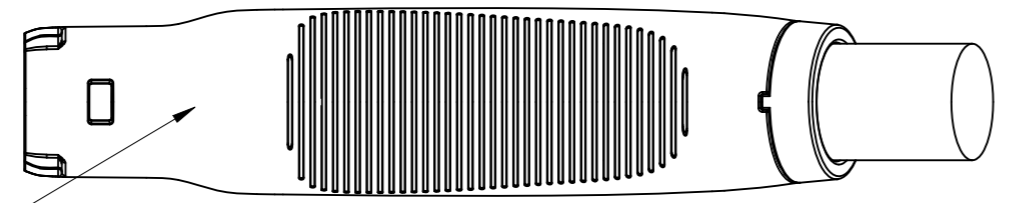
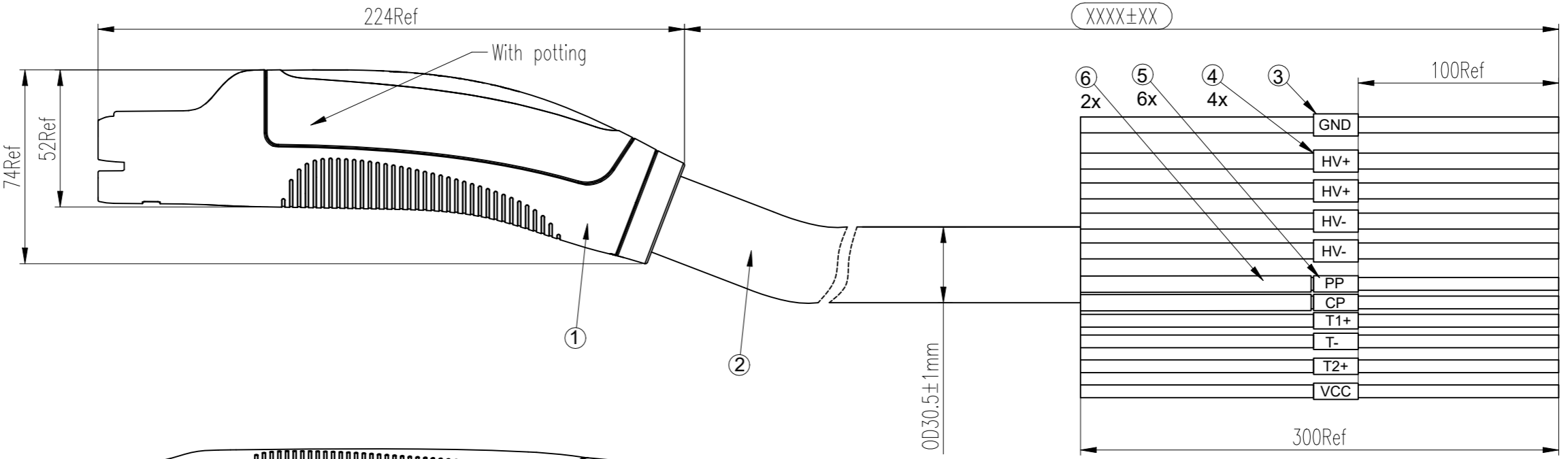
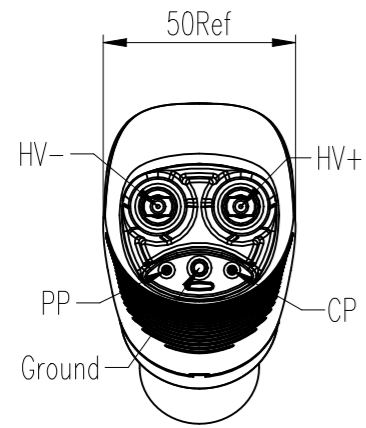
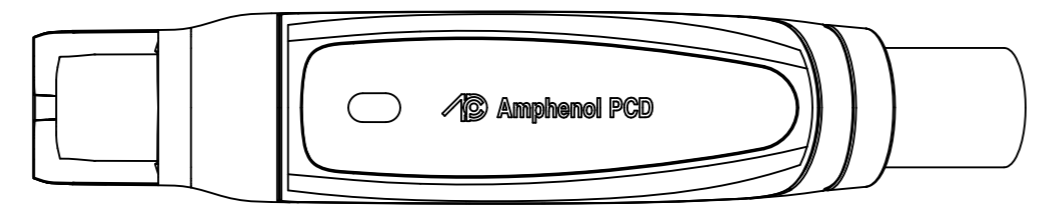


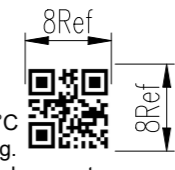
REV	ECN	DESCRIPTION	DATE	MODIFIED
1		PER RELEASE	Oct-23-2023	

PDF Format  
R&D



LASER MARKING

TYPE:HVCON1MA250APLXXXXU  
T/N:XXXXXXXX YYWW  
Rated:250A,1000VdcA&T:-40°C~+50°C  
CAUTION:Not for current interrupting.  
CAUTION:Do not use if there is any damage to the EV cable or the connector  
IP-Class:Type 3S XX



QR code,  
Content including:Part number  
#Work order number  
# Serial number ex:0001  
(ex:HVCON1MA250APLXXXXU#XXXXXXXX#0001)



Can not print UL logo until Amphenol gets Certificate  
CN:Made in China  
MX:Made in Mexico  
US:Made in US

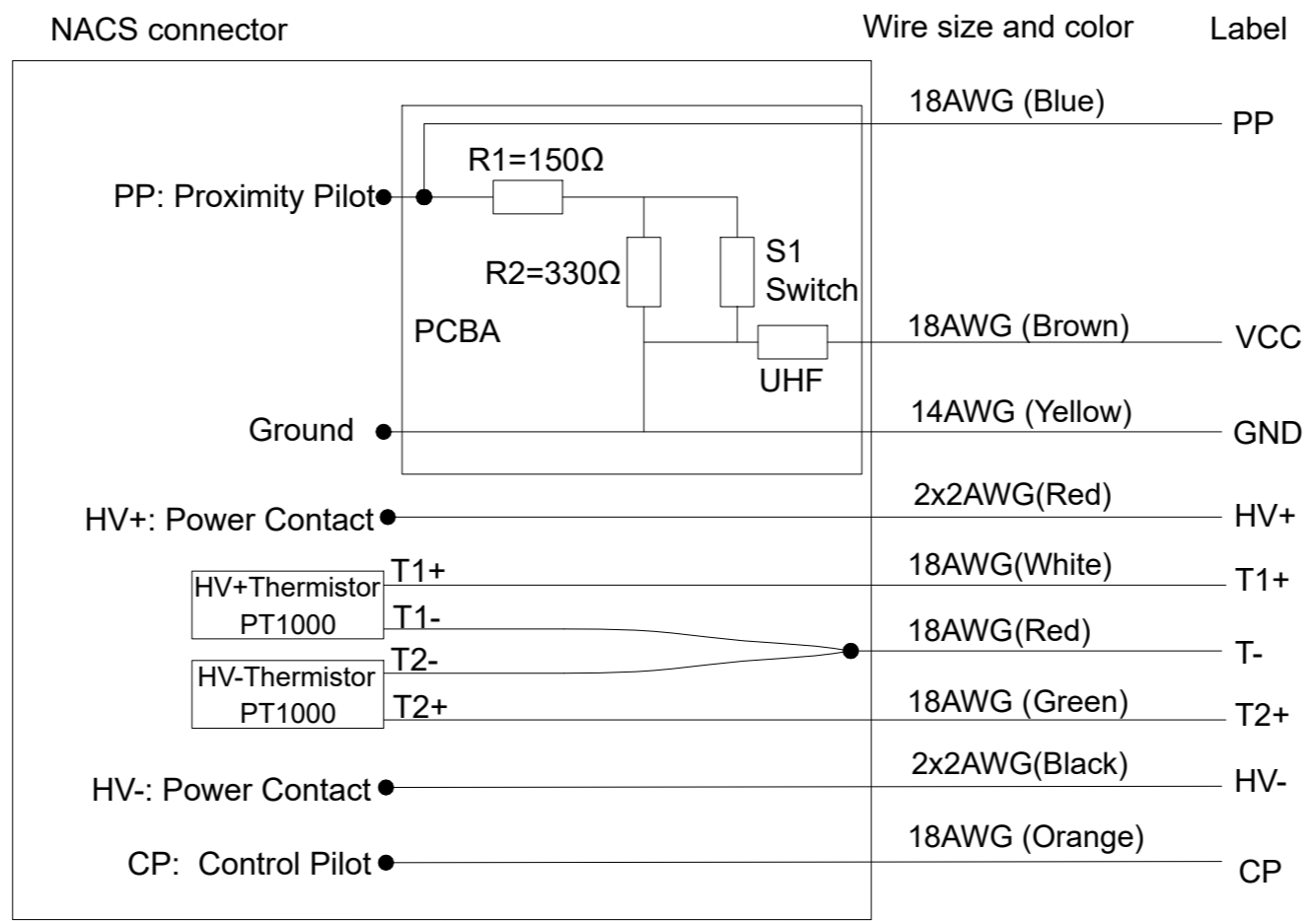
T/N:XXXXXXXXYYWW  
Work order number + batch number+year+Week  
Font: Arial

DIMENSIONS	TOLERANCES	PROJECTION	TITLE		
ANSI Y14.5M UNITS: MM CAD FILE	.X ± 0.50 .XX ± 0.05 ANGLES ± 2'		NACS DC 250A VEHICLE CONNECTOR WITH UHF CABLE ASSEMBLY		
ORIGINAL	THIS DOCUMENT CONTAINS PROPRIETARY INFORMATION WHICH IS THE CONFIDENTIAL PROPERTY OF Amphenol PCD Shenzhen Co. Ltd Amphenol PCD Shenzhen Co. Ltd RESERVES THE RIGHT TO CLARIFY THIS DRAWING		Amphenol PCD Shenzhen		ENGR
			Oct-23-2023		CHKD
			APPD	SIZE A3	DWG NO. C-HVCON1MA250APLXXXXU
				SCALE 1:2	REV 1
				SHEET 1 OF 2	

C-HVCON1MA250APLXXXXU

C-HVCON1MA250APLXXXXU

DC Mode of Connection  
WITH UHF



\*Notes:

- Cable assembly data:
  - Rated Voltage: 1000V DC(HV+&HV-),30V DC(CP&PP);
  - Rated Current: 250A Max(HV+&HV-)  
2A Max(CP&PP);
  - Insulation Resistance: 100MΩ Min(1000V DC FOR HV+&HV-,500V DC for others)
  - Withstand Voltage: 3000V/AC r.m.s(HV+&HV-); Others 500V/AC r.m.s
  - IP-Class: IP67( enclosure);Type 3S(Plugged in)
  - RoHS Compliance
- Ambient Temperature: -40°C ~ +50°C
- NACS Plug reference: C-HVCON1MAXXXAPL0000
- Cable Minimum Bending Radius: 10 OD
- Durability: ≥ 20,000 cycles
- Weight of Cable: app 1.8kg/m
- VCC:3.3-12V;<100mA
- Cable Length Tolerance:

Total Length	Tolerance
0~1000mm	±50
1001~5000mm	±100
>5000mm	±200

⑥	C210000080	SINGLE-WALL H.S.T: Ø5.0 BLACK	0.4	m
⑤	P05B000029	SINGLE-WALL H.S.T: Ø3.0 WHITE	0.14	m
④	C210006511	SINGLE-WALL H.S.T: Ø12.7 WHITE	0.12	m
③	C210000081	SINGLE-WALL H.S.T: Ø5.0 WHITE	0.02	m
②	P01BC00298	4X2AWG+14AWG+3X2X18AWG BLACK OD30.5	AR	m
①	HVCON1MA250A	NACS 250A VEHICLE CONNECTOR 2XPT1000	1	EA
ITEM	P/N	DESCRIPTION	QTY	UNIT

SIZE	DWG NO.	REV
A3	C-HVCON1MA250APLXXXXU	1
SCALE	NA	SHEET 2 OF 2

C-HVCON1MA250APLXXXXU

C-HVCON1MA250APLXXXXU