

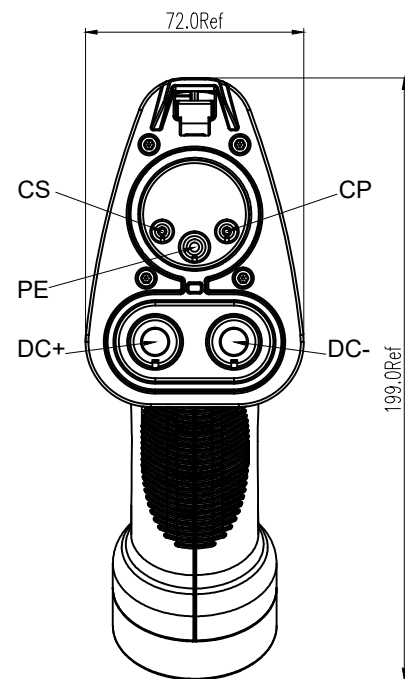
REV	ECN	DESCRIPTION	DATE	MODIFIED
1		RELEASE	May-15-2023	

Amphenol PCD SZ
ORIGINAL
PDF Format
R&D

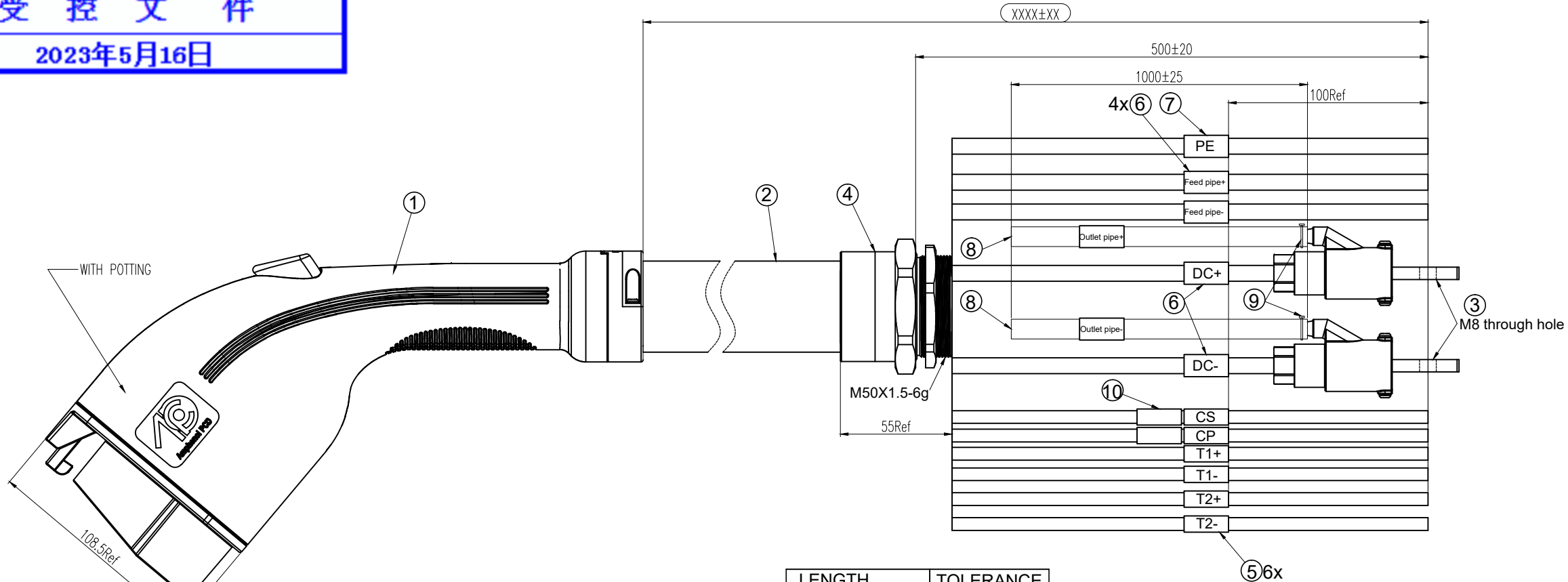
安费诺精密连接器(深圳)有限公司
Amphenol PCD Shenzhen

受控文件

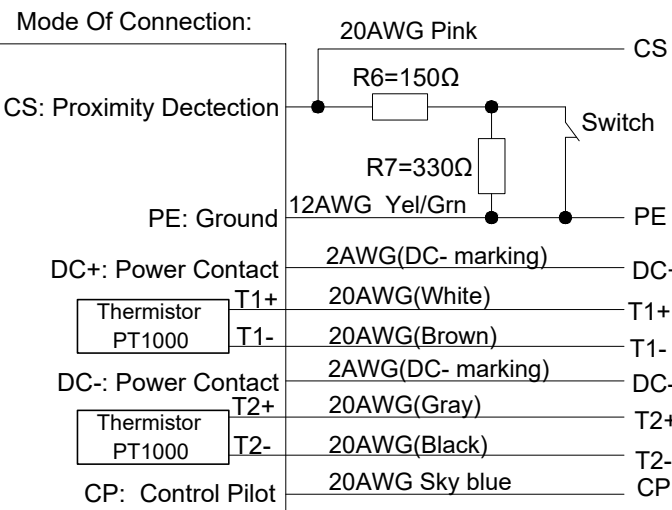
2023年5月16日



Front view of plug



LENGTH	TOLERANCE
0~1000mm	±50
1001~5000mm	±100
>5000mm	±200



ITEM	P/N	DESCRIPTION	QTY	UNIT
⑩	C210006342	DOUBLE-WALL H.S.T: Ø4.0 BLACK	0.06	m
⑨	P01BN01331	STEPLESS EAR CLAMP/SUS304	2	EA
⑧	P01BN01497	TUBING PIPE,OD=8,ID=6	2.0	m
⑦	C210000081	SINGLE-WALL H.S.T: Ø5.0 WHITE	0.03	m
⑥	C210006511	SINGLE-WALL H.S.T: Ø12.7 WHITE	0.12	m
⑤	C210006837	SINGLE-WALL H.S.T: Ø3.2 WHITE	0.12	m
④	P02B000220	CABLE GLAND,M50	1	EA
③	P02B00028601	TERMINAL OF DC WIRE,M8	2	EA
②	P01BC00283	2x2AWG+TUBES+12AWG+8x20AWG Black OD=31±0.5	AR	m
①	HVCO11002	CCS1 500A COOLING PLUG,1000V,BLACK	1	EA

*Notes:

1.Cable assembly data:

★ Rated Voltage:1000V DC(DC+&DC-),30V DC(CP&PP);

★ Rated Current: 500A Max(DC+&DC-)

2A Max(CP、CS);

★ Insulation Resistance:100MΩ Min(1000V DC FOR DC+&DC-,500V DC for others)

★ Withstand Voltage : 3000V/AC r.m.s(DC+&DC-); Others 500V/AC r.m.s

★ IP-Class: IP67(enclosure);IP44(Plugged in)

★ RoHS Compliance

2.Ambient Temperature: -30°C ~ +50°C

3.IEC Plug reference:C-HVCO11002

4.Reference For, SAE J1772 ,UL2251

5.Cable Minimum Bending Radius:≥10XOD

◎6.Durability: ≥ 10000 cycles

7.Working Pressure:0~7bar;

Cooling medium: Dimethicone

DIMENSIONS	TOLERANCES	PROJECTION
ANSI Y14.5M	.X ± 0.50	
UNITS: MM	.XX ± 0.05	
CAD FILE	ANGLES ± 2°	

ORIGINAL

THIS DOCUMENT CONTAINS PROPRIETARY INFORMATION WHICH IS THE CONFIDENTIAL PROPERTY OF Amphenol PCD Shenzhen Co. Ltd Amphenol PCD Shenzhen Co. Ltd RESERVES THE RIGHT TO CLARIFY THIS DRAWING

Amphenol PCD Shenzhen		TITLE	
ENGR		CCS1 COMBO COOLING PLUG 500A CABLE ASSEMBLY	
May-15-2023		SIZE	DWG NO.
CHKD		A3	C-HVCO11002LXXXX
APPD		SCALE	REV
		1:1	1
		SHEET	1 OF 1