

Amphenol PCD SZ  
ORIGINAL  
PDF Format  
R&D

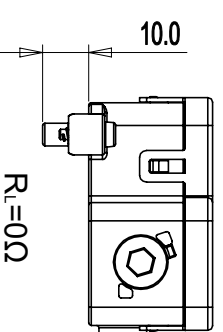
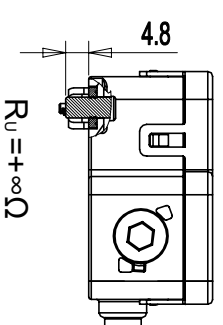
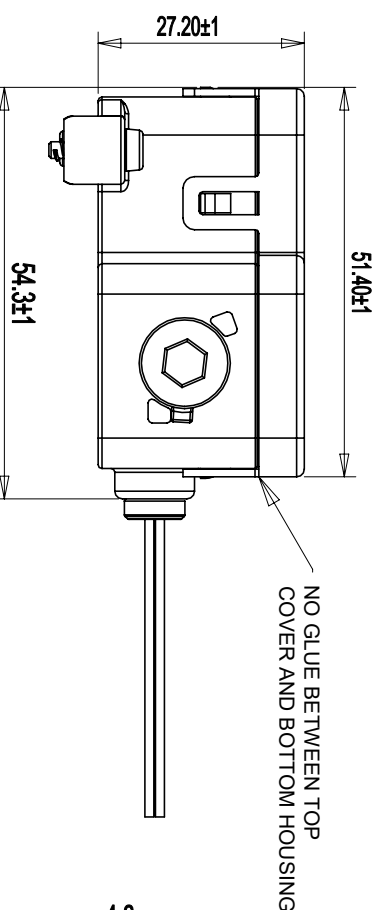
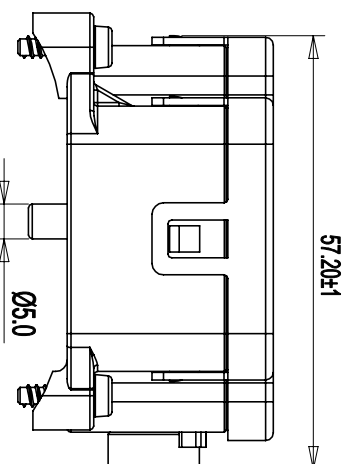
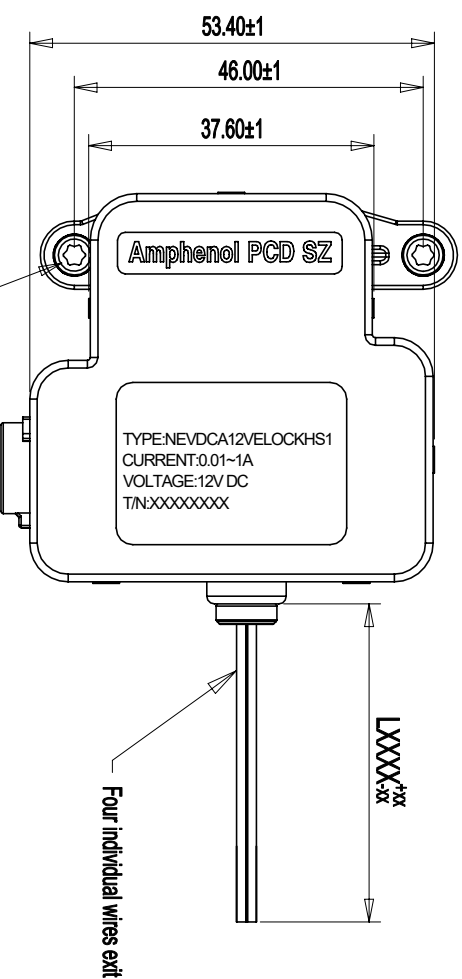
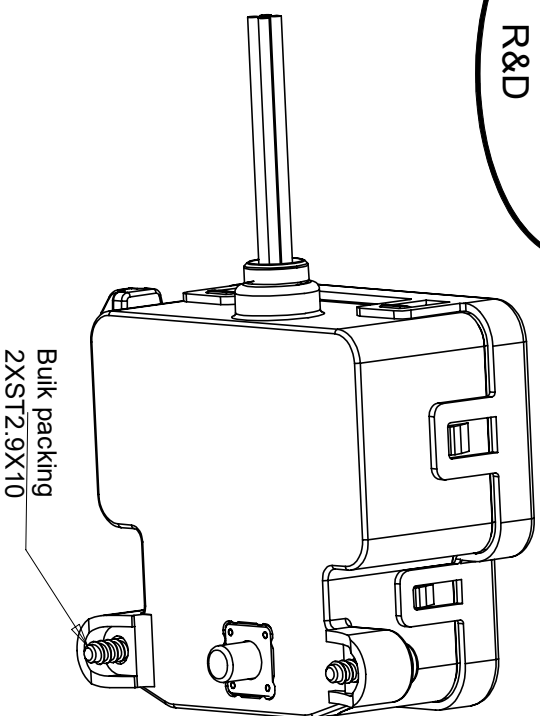
安费诺精密连接器(深圳)有限公司  
Amphenol PCD Shenzhen

受控文件

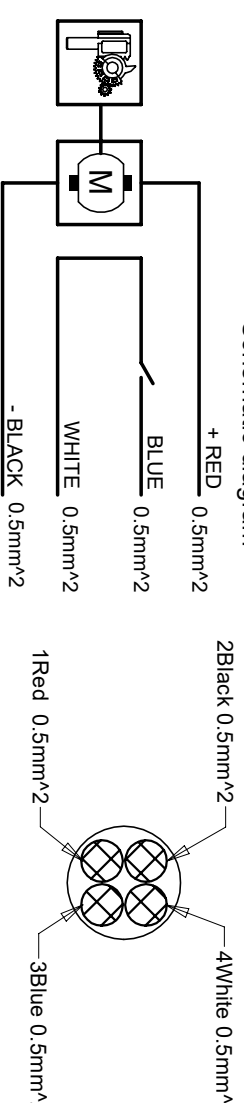
2023年6月25日

C-NEVDCA12VELOCKLXXXXHS1

REV	ECN	DESCRIPTION	DATE	MODIFIED
1		PRE-RELEASE	2023.06.25	A.Yu



Emergency unlocking of the 12V locking actuator  
Schematic diagram



Suggested work time: >3000ms  
 Max time: N/A  
 Min time: 400ms  
 Suggested adjustment time: 600ms  
 Max time: 1000ms  
 Min time: 450ms

UNLOCK LOCK

C-NEVDCA12VELOCKLXXXXHS1

Contact switch is normally open  
Unlock: +∞Ω  
Lock: 0Ω

- Voltage supply at motor: 12V
- Possible Voltage supply at motor: 9V~12V
- Typical motor current for locking: 200mA
- Maximal motor current for locking: 1000mA
- Maximal voltage for locking detection: 20V
- Maximal dwell period with blocking current: 20V
- Suggested adjustment time: 600ms
- Durability (in load cycles) : >40000
- Ambient temperature (in operation) : -40°C~+85°C
- Ambient temperature (storage) : -40°C~+85°C
- Length of the actuator cables: 500mm
- Minimum bending radius: 30mm
- Specification of the actuator cables: 4 X 0.5mm²
- RoHS Compliance
- NEVDCA12VELOCKLXXXXHS1

TYPE	RED	BLACK	WHITE	BLUE
UNLOCKING	+	-	SIGNAL(R <sub>U</sub> =+∞Ω)	
LOCKING	-	+	SIGNAL(R <sub>L</sub> =0Ω)	

DIMENSIONS	TOLERANCES	PROJECTION
ANSI Y14.5M UNITS: MM CAD FILE	.X .XX ANGLES ±2°	±0.5 ±0.05 ±2°

LENGTH	TOLERANCE
0~1000mm	±25
1001~5000mm	±10
>5000mm	±40
	±50
	±20

ORIGINAL	TOLERANCES	PROJECTION
ANSI Y14.5M UNITS: MM CAD FILE	.X .XX ANGLES ±2°	±0.5 ±0.05 ±2°

ORIGINAL	TOLERANCES	PROJECTION
ANSI Y14.5M UNITS: MM CAD FILE	.X .XX ANGLES ±2°	±0.5 ±0.05 ±2°

DC\_12V ELOCK SINGLE CORE WIRE

SIZE	DWG NO.	REV
A3	C-NEVDCA12VELOCKLXXXXHS1	1

SCALE 1:1 SHEET 1 OF 1

Amphenol PCD Shenzhen	CHKD	ENGR	DATE
	Rock.chen	A.Yu	2023.06.25

THIS DOCUMENT CONTAINS PROPRIETARY INFORMATION WHICH IS THE CONFIDENTIAL PROPERTY OF Amphenol PCD Shenzhen Co., Ltd Amphenol PCD Shenzhen Co., Ltd RESERVES THE RIGHT TO CLARIFY THIS DRAWING

C-NEVDCA12VELOCKLXXXXHS1

C-NEVDCA12VELOCKLXXXXHS1