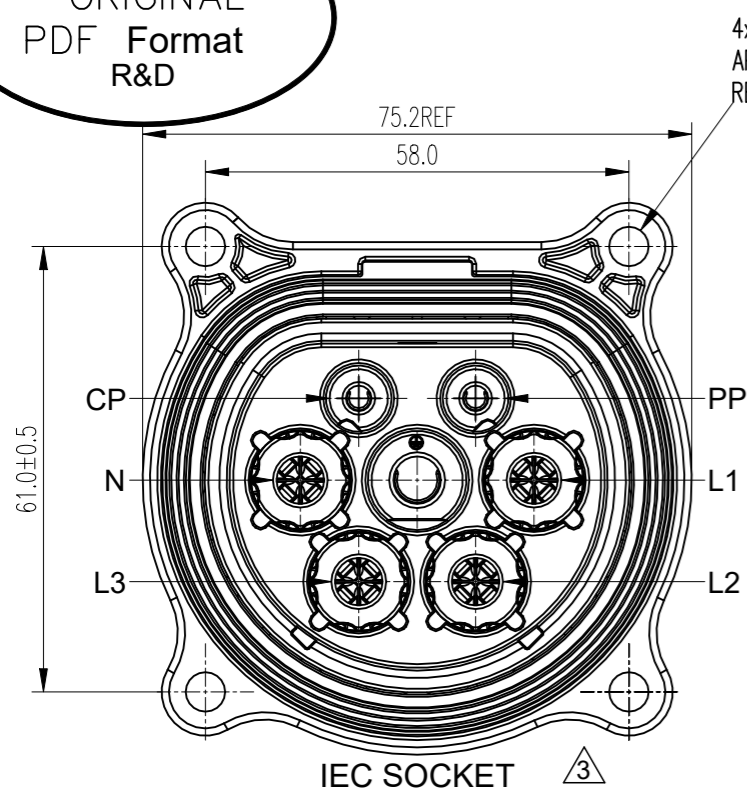
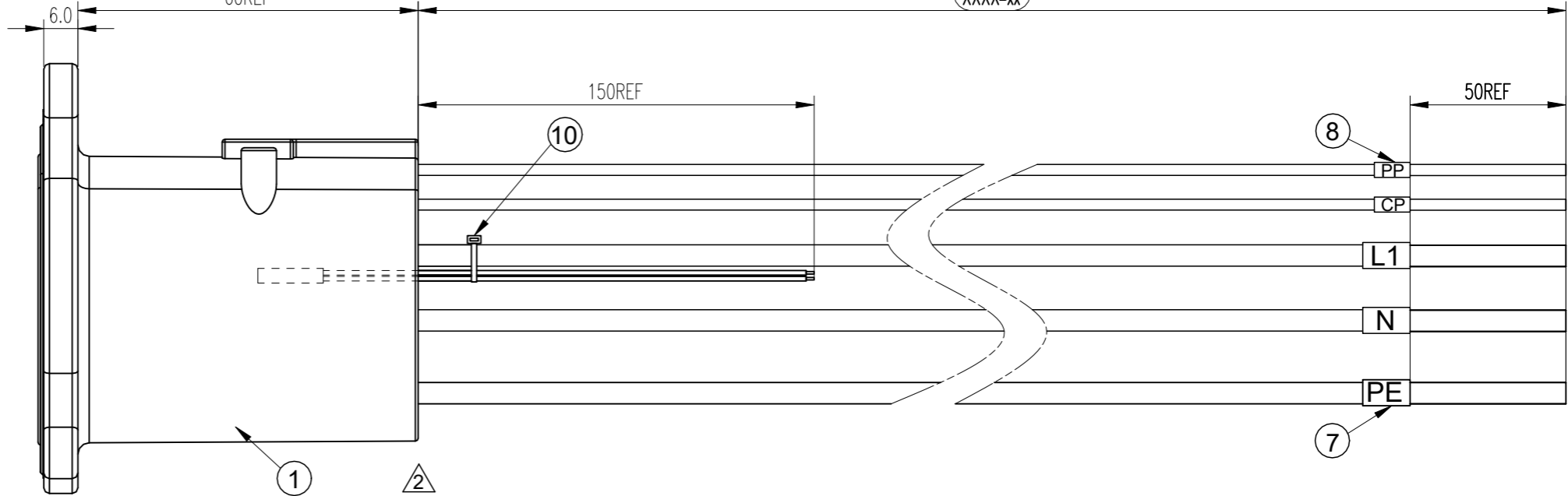


| REV | ECN | DESCRIPTION | DATE | MODIFIED |
|-----|----------|------------------|-------------|----------|
| 1 | | RELEASE | Jun-09-2023 | |
| 2 | R7372N-2 | CHANGE STRUCTURE | Sep-19-2023 | |
| 3 | R8330N | UPDATE THE VIEW | Sep-18-2024 | |

Amphenol ORIGINAL PDF Format R&D



4x ϕ 5.4 \pm 0.1 \triangle
APPLICABLE M5 SCREWS AND WASHERS
RECOMMENDED TORQUE:2.5N.m Max
60REF



XXXX-XX
+XX
-XX

CABLE CONNECT METHOD



*Notes:

1. Cable assembly data:

- Rated voltage: 250V AC (L1 & N & PE); 30V DC (CP & PP);
- Rated current: 32A (L1 & N); 2A (CP & PP);
- IP-Class: IP2XB, IP55 (Mated), IPXXD (L1 & N)
- Insulation resistance: 100M Ω Min / 500V DC
- Withstand voltage: 2000V AC / L1 & N & PE
500V AC / PP & CP

- Durability: >10000 cycles;
Insertion&Extraction force: <100N

RoHS compliance

Ambient temperature: -30°C to +50°C

2. Reference standard: IEC 62196-2; CE, UKCA Marking

3. Installed towards down, install standard reference:

C-P02B000235

4. The cable should be fixed at 100mm max from the rear of connector

5. Cable minimum bending radius: \geq 5*OD

HVCOSFS506PTL XXXX

| LENGTH | TOLERANCE |
|-------------|------------|
| 0~1000mm | +25 -10 |
| 1001~5000mm | +40 -10 |
| >5000mm | +50 -20 |

| ⑩ | C210003609 | CABLE TIE BLACK | 1 | EA |
|------|------------|--|------|------|
| ⑨ | P01BN00749 | PT1000 ϕ 3X12 R ₀ C=1000 Ω 24AWG WHITE | 1 | EA |
| ⑧ | C210006837 | H.S.T: ϕ 3.2 WHITE NOT MARKING | 0.05 | m |
| ⑦ | P05B000006 | H.S.T: ϕ 6.0 WHITE NOT MARKING | 0.10 | m |
| ⑥ | C210030045 | 0.5mm ² UNSHIELDING BLACK OD=1.6 \pm 0.1 | AR | m |
| ⑤ | C210030046 | 0.5mm ² UNSHIELDING RED OD=1.6 \pm 0.1 | AR | m |
| ④ | C210030042 | 6mm ² UNSHIELDING YELLOW/GREEN,XLPE OD=5.1 \pm 0.2 | AR | m |
| ③ | P01BC00200 | 6mm ² TINNED UNSHIELDING BLUE, XLPE OD=5.1 \pm 0.2 | AR | m |
| ② | P01BC00199 | 6mm ² TINNED UNSHIELDING BROWN, XLPE OD=5.1 \pm 0.2 | AR | m |
| ① | P02B000235 | SOCKET-OUTLET OF SHUTTER: P02B000235 BLACK | 1 | EA |
| ITEM | P/N | DESCRIPTION | QTY | UNIT |

| DIMENSIONS | TOLERANCES | PROJECTION | TITLE | |
|--------------------------------------|--|------------|--|---------------------------------|
| ANSI Y14.5M UNITS: MM CAD FILE | .X \pm 0.5 .XX \pm 0.05 ANGLES \pm 2.0° | | IEC SOCKET OUTLET OF SHUTTER 32A 1P WITH PT1000 CABLE ASSEMBLY | |
| ORIGINAL | THIS DOCUMENT CONTAINS PROPRIETARY INFORMATION WHICH IS THE CONFIDENTIAL PROPERTY OF Amphenol PCD Shenzhen Co. Ltd Amphenol PCD Shenzhen Co. Ltd RESERVES THE RIGHT TO CLARIFY THIS DRAWING | | SIZE A3 | DWG. NO. C-HVCOSFS506PTLXXXX |
| | | | SCALE NA | SHEET 1 OF 1 |

Amphenol PCD Shenzhen
ENGR
Sep-18-2024

CHKD
APPD

REV
3

C-HVCOSFS506PTLXXXX

C-HVCOSFS506PTLXXXX