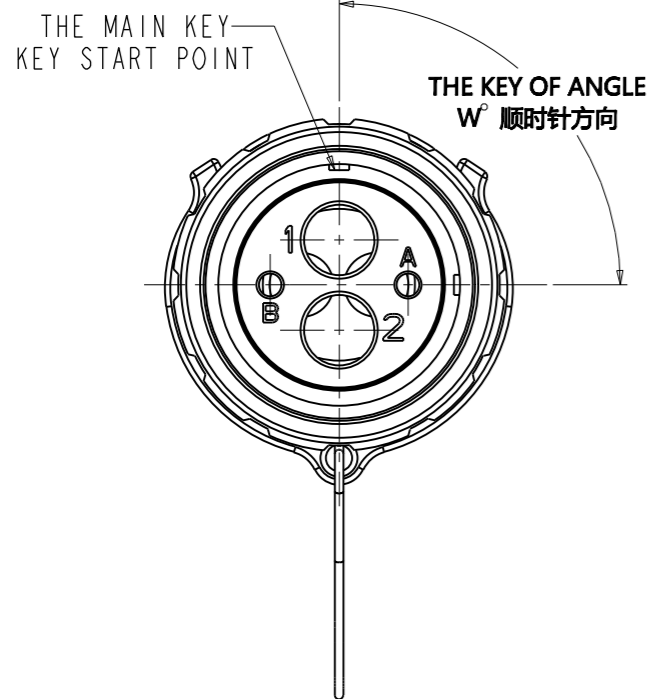
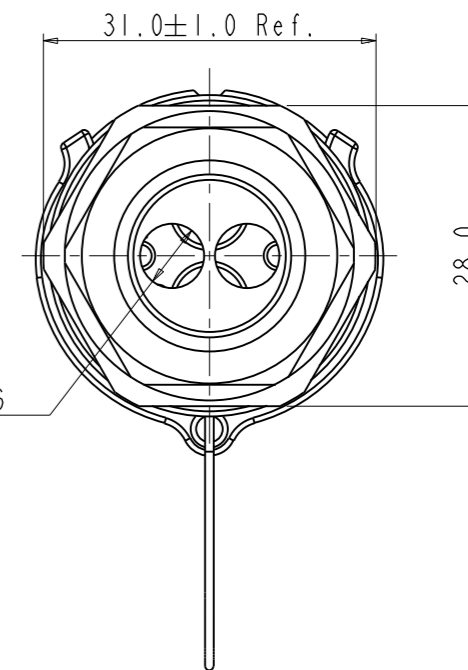
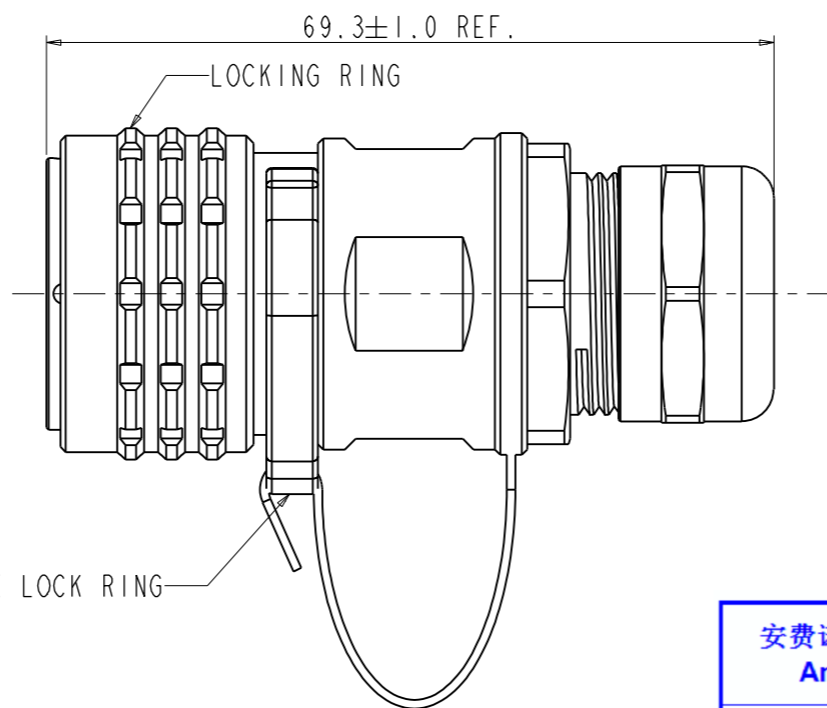


REV	ECN	DESCRIPTION	DATE	MODIFIED
1		UPDATE P/N DESCRIPTION	2018.01.19	
2		SEE THE MARKING ②	2018.01.31	

Amphenol PCDSZ
ORIGINAL
PDF Format
R&D



A, B HOLES FOR $\phi 1.0$ INTERLOCK PIN
1-2 HOLES FOR $\phi 3.6$ POWER PIN



安费诺精密连接器(深圳)有限公司
Amphenol PCD Shenzhen

受控文件

2018年2月5日

NOTES:

1. FINISHED PRODUCT DOES HAVE NOT THE PIN, NEED TO BUY SEPARATE.
2. THE POWER PIN P/N FOR 10MM² CABLE: HVG30M10, USE LEVEL: 2PCS
THE POWER PIN P/N FOR 6.0MM² CABLE: HVG30M6, USE LEVEL: 2PCS
3. THE INTERLOCK PIN P/N: HVG20M1, USE LEVEL: 2PCS
4. WIHT C TYPE LOCK RING AND DUST CAP.
5. TORQUE: 5~8N*M
6. THE SCOPE OF CABLE OD= $\phi 4.5\sim\phi 6.0$
7. TECHNICAL DATA TABLE

CURRENT RATE (6mm ² CABLE)	40A @ AMBIENT 70° C	+
CURRENT RATE (10mm ² CABLE)	50A @ AMBIENT 70° C	+
UL RATING VOLTAGE (OVERVOLTAGE CATEGORY II POLLUTION DEGREE 2)	800V DC	+
OPERATING TEMPERATURE	-40~125° C	
DIELECTRIC WITH STANDING VOLTAGE	3000V AC	+
INSULATION RESISTANCE	2000M Ω MIN. 25° C, NO CABLE	+
DURABILITY	500 CYCLES	⊙
SHIELDING	YES	⊙
WATERPROOF (MATED CONDITION)	IP 67	+
AMBIENT TEMPERATURE	-40~70° C	
TECHNICAL DESCRIPTION	TECHNICAL DATA	FEATURE

8. PART NUMBER DESCRIPTION:

HVG1P492MC XXX 2D X L0000

② KEY OF CODING OPTION

NO CODE: NO KEY & BLACK($w^\circ = 0^\circ$)
X : KEY X & BLACK($w^\circ = 270^\circ$)
Y : KEY Y & BLACK($w^\circ = 315^\circ$)
Z : KEY Z & BLACK($w^\circ = 90^\circ$)
W : KEY W & BLACK($w^\circ = 45^\circ$)
XRD: KEY X & RED($w^\circ = 270^\circ$)
YYL: KEY Y & YELLOW($w^\circ = 315^\circ$)
ZBL: KEY Z & BLUE($w^\circ = 90^\circ$)
WGR: KEY W & GREEN($w^\circ = 45^\circ$)

CABLE SIZE OPTION

6: 6.0mm² CABLE USE HVG30M6,
USE LEVEL: 2PCS
A: 10mm² CABLE USE HVG30M10,
USE LEVEL: 2PCS

ANGLE CODE	ANGLE OF KEY(W°)	COLOR CODE	COLOR OF LOCKING RING	P/N(FOR EXAMPLE)
NO CODE	0°	NO CODE	BLACK	HVG1P492MC 2D X L0000
X	270°	RD	RED	HVG1P492MC XRD 2D X L0000
Y	315°	YL	YELLOW	HVG1P492MC YYL 2D X L0000
Z	90°	BL	BLUE	HVG1P492MC ZBL 2D X L0000
W	45°	GR	GREEN	HVG1P492MC WGR 2D X L0000
X	270°	NO CODE	BLACK	HVG1P492MC X 2D X L0000
Y	315°			HVG1P492MC Y 2D X L0000
Z	90°			HVG1P492MC Z 2D X L0000
W	45°			HVG1P492MC W 2D X L0000

9. SCOPE OF INNER UNSHIELD CABLE OUTSIDE DIAMETER :

6.0 & 10 mm² OD 6.0 Max.
INTERLOCK CABLE OD 2.5 Max.(0.5~0.75mm² CABLE)

DIMENSIONS	TOLERANCES	PROJECTION	TITLE		
ANSI Y14.5M UNITS: MM Pro/E FILE	.X ±0.5 .XX ±0.05 ANGLES ±0.5°		TWO CORE PLUG ASSEMBLY WITH INTERLOCK		
ORIGINAL NOT FOR CUSTOMER DISTRIBUTION	THIS DOCUMENT CONTAINS PROPRIETARY INFORMATION WHICH IS THE CONFIDENTIAL PROPERTY OF AMPHENOL PCD SHENZHEN	ENGR 2018.01.31 CHKD APPD	SIZE A3	DWG NO. C-HVG1P492MCXXX2DXL0000	REV 2
		CODE: 58982	SCALE: 3:2	SHEET 1 OF 1	