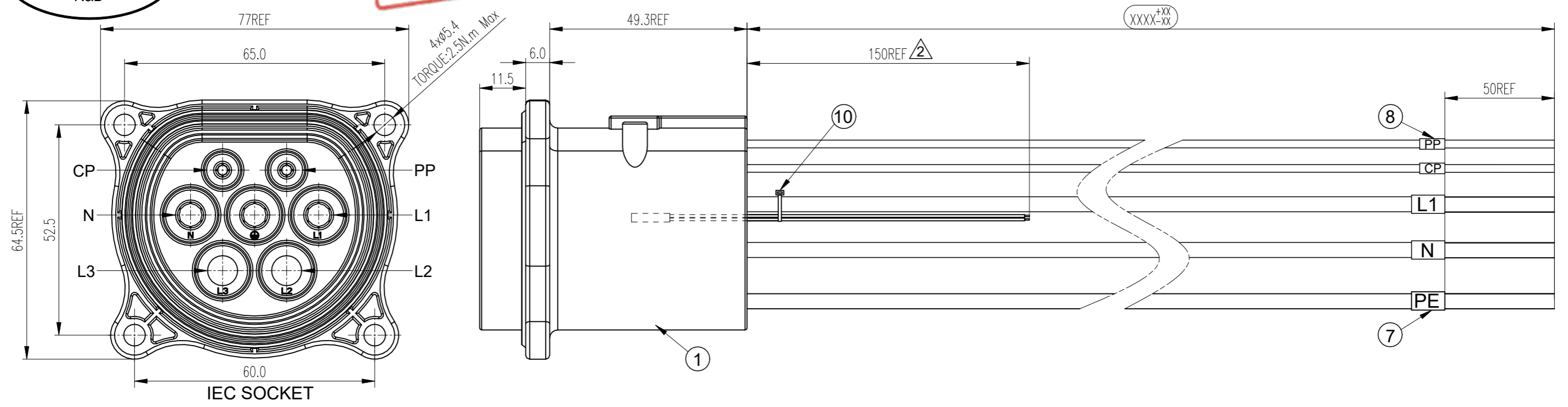


REV	ECN	DESCRIPTION	DATE	MODIFIED
1		RELEASE	Dec-03-2023	
2	R7816N	CHANGE SOCKET P/N	Mar-20-2024	

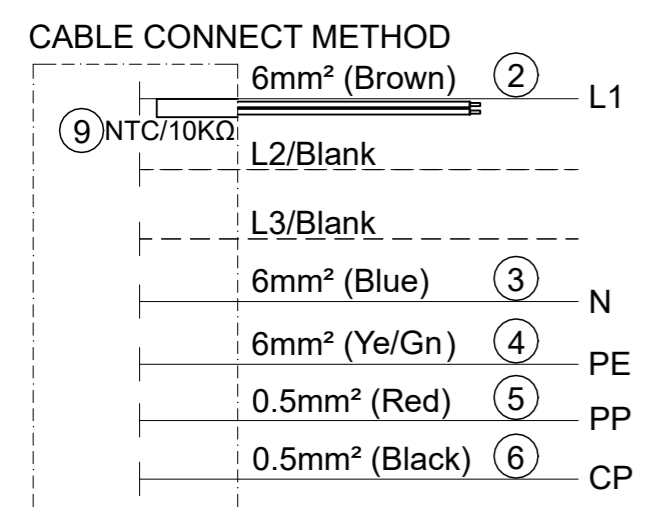
CONFIDENTIAL

PDF Format R&D



C-HVCOILFS506NTLXXXX

C-HVCOILFS506NTLXXXX



HVCOILFS506NTL XXXX

LENGTH	TOLERANCE
0~1000mm	+25 -10
1001~5000mm	+40 -10
>5000mm	+50 -20

ITEM	P/N	DESCRIPTION	QTY	UNIT
⑩	C210003609	CABLE TIE BLACK	1	EA
⑨	P01BN00748	NTC TR29 Ø3X12 R ₂₅ = 10KΩ B _{25/50} =3950K 24AWG BLACK	1	EA
⑧	C210006837	H.S.T: Ø3.2 WHITE NOT MARKING	0.05	m
⑦	P05B000006	H.S.T: Ø6.0 WHITE NOT MARKING	0.10	m
⑥	C210030045	0.5mm² UNSHIELDING BLACK OD=1.6±0.1	AR	m
⑤	C210030046	0.5mm² UNSHIELDING RED OD=1.6±0.1	AR	m
④	C210030042	6mm² UNSHIELDING YELLOW/GREEN,XLPE OD=5.1±0.2	AR	m
③	P01BC00200	6mm² TINNED UNSHIELDING BLUE, XLPE OD=5.1±0.2	AR	m
②	P01BC00199	6mm² TINNED UNSHIELDING BROWN,XLPE OD=5.1±0.2	AR	m
①	P02B000641	IEC SOCKET OUTLET : P02B000641 BLACK	1	EA

- *Notes:**
- Cable assembly data:
 - Rated Voltage: 250V AC(L1&N&PE); 30V DC(CP&PP);
 - Rated Current: 32A (L1&N); 2A (CP&PP);
 - IP-Class: IP2X; IP55(Mated)
 - Insulation Resistance: 100MΩ Min/500V DC
 - Withstand Voltage: 2000V r.m.s / L1&N&PE; 500V r.m.s / PP&CP
 - Durability: >10000 Cycles
 - RoHS Compliance
 - Ambient Temperature: -30°C ~ +50°C
 - Reference Standard IEC 62196-2; CE marking
 - Installed towards down, install standard reference: C-P02B000641
 - The cable should be fixed at 100mm max from the rear of connector
 - Cable Minimum Bending Radius: ≥5OD

DIMENSIONS	TOLERANCES	PROJECTION	TITLE		
ANSI Y14.5M UNITS: MM CAD FILE	.X ± 0.5 .XX ± 0.05 ANGLES ± 2.0°		IEC SOCKET OUTLET 32A 1P WITH NTC CABLE ASSEMBLY		
ORIGINAL	THIS DOCUMENT CONTAINS PROPRIETARY INFORMATION WHICH IS THE CONFIDENTIAL PROPERTY OF Amphenol PCD Shenzhen Co. Ltd Amphenol PCD Shenzhen Co. Ltd RESERVES THE RIGHT TO CLARIFY THIS DRAWING		Amphenol PCD Shenzhen	SIZE A3	
			ENGR	DWG NO. C-HVCOILFS506NTLXXXX	REV 2
			CHKD	SCALE NA	SHEET 1 OF 1
			APPD		