

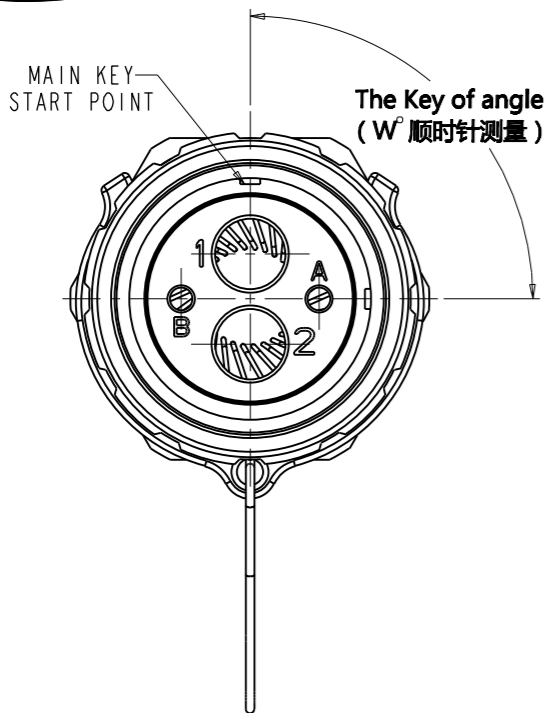
安费诺精密连接器(深圳)有限公司
Amphenol PCD Shenzhen

受控文件

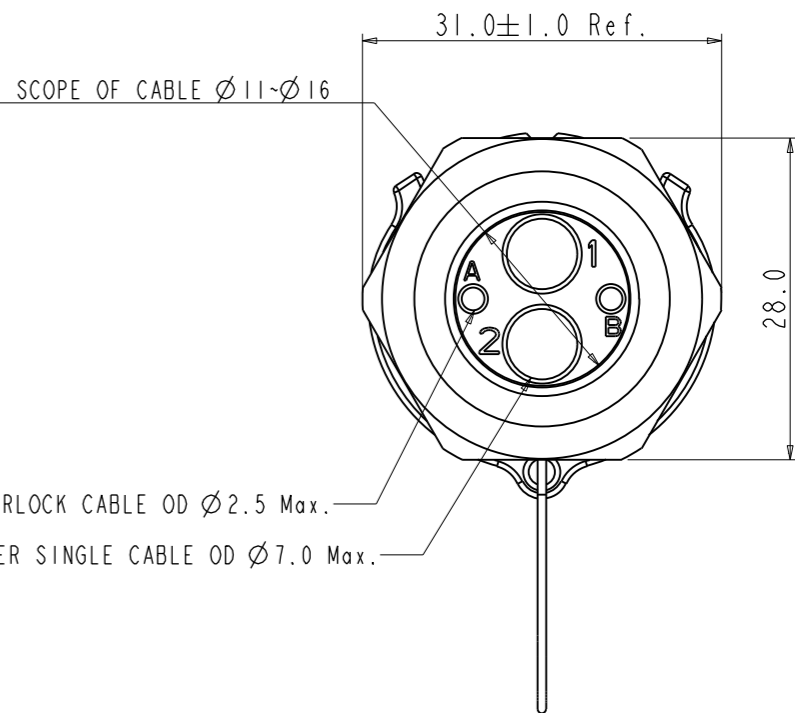
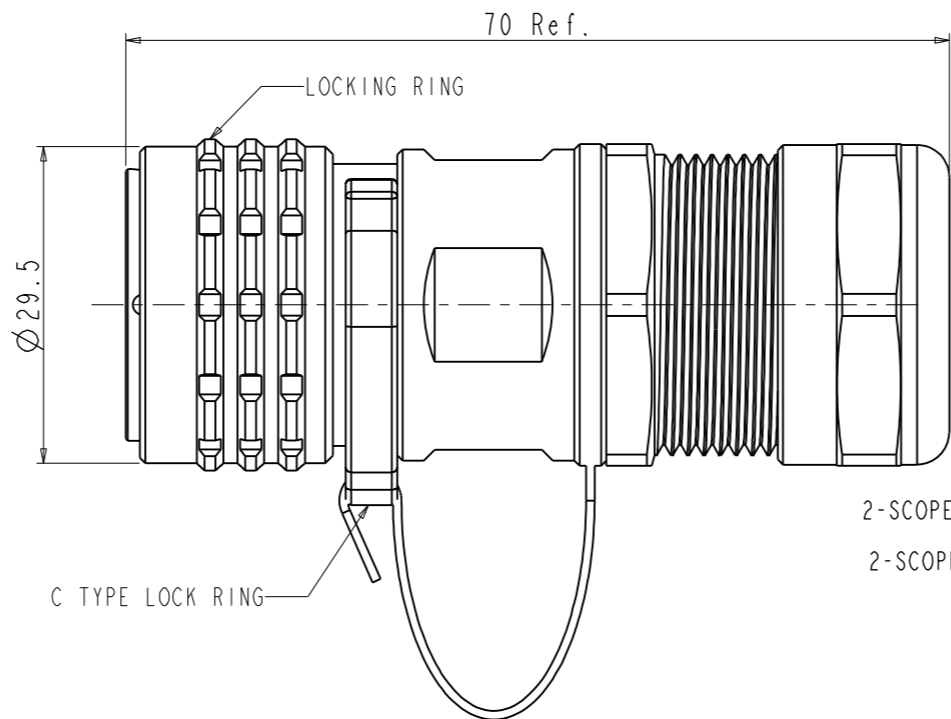
2018年2月5日

REV	ECN	DESCRIPTION	DATE	MODIFIED
1		UPDATE THE DRAWING	2018.01.19	Jophy.Li
2		SEE THE MARKING ②	2018.01.31	Jophy.Li

Amphenol PCDSZ
ORIGINAL
PDF Format
R&D



A, B HOLES FOR $\phi 1.0$ INTERLOCK PIN
1-2 HOLES FOR $\phi 3.6$ POWER PIN



C-HVGIP492MCXX

C-HVGIP492MCXX

NOTES:

1. FINISHED PRODUCT DOES HAVE NOT THE PIN, NEED TO BUY SEPARATE.
2. THE POWER PIN P/N FOR 6MM² CABLE: HVG30M6, USE LEVEL: 2PCS
THE POWER PIN P/N FOR 10MM² CABLE: HVG30M10, USE LEVEL: 2PCS
3. THE INTERLOCK PIN P/N: HVG20M1, USE LEVEL: 2PCS
4. WIHT C TYPE LOCK RING AND DUST CAP.
5. TORQUE: 5~8N*M
6. THE SCOPE OF CABLE OD= $\phi 11 \sim \phi 16$
7. TECHNICAL DATA TABLE

CURRENT RATE (6mm ² CABLE)	40A @ AMBIENT 70° C	+
CURRENT RATE (10mm ² CABLE)	50A @ AMBIENT 70° C	+
UL RATING VOLTAGE (OVERVOLTAGE CATEGORY II POLLUTION DEGREE 2)	800V DC	+
OPERATING TEMPERATURE	-40~125° C	
DIELECTRIC WITH STANDING VOLTAGE	3000V AC	+
INSULATION RESISTANCE	2000M Ω MIN. 25° C, NO CABLE	+
DURABILITY	500 CYCLES	○
SHIELDING	YES	○
WATERPROOF (MATED CONDITION)	IP 67	+
AMBIENT TEMPERATURE	-40~70° C	
TECHNICAL DESCRIPTION	TECHNICAL DATA	FEATURE

8. PART NUMBER DESCRIPTION:

HVG1P492MC X X

② KEY OF CODING OPTION

- XR: KEY X & RED($w^\circ = 270^\circ$)
- YY: KEY Y & YELLOW($w^\circ = 315^\circ$)
- ZB: KEY Z & BLUE($w^\circ = 90^\circ$)
- WG: KEY W & GREEN($w^\circ = 45^\circ$)
- NO CODE: NO KEY & BLACK($w^\circ = 0^\circ$)
- X : KEY X & BLACK($w^\circ = 270^\circ$)
- Y : KEY Y & BLACK($w^\circ = 315^\circ$)
- Z : KEY Z & BLACK($w^\circ = 90^\circ$)
- W : KEY W & BLACK($w^\circ = 45^\circ$)

ANGLE CODE	ANGLE OF KEY(w°)	COLOR CODE	COLOR OF LOCKING RING	P/N(FOR EXAMPLE)
NO CODE	0°	NO CODE	BLACK	HVG1P492MC
X	270°	R	RED	HVG1P492MC XR
Y	315°	Y	YELLOW	HVG1P492MC YY
Z	90°	B	BLUE	HVG1P492MC ZB
W	45°	G	GREEN	HVG1P492MC WG
X	270°	NO CODE	BLACK	HVG1P492MC X
Y	315°			HVG1P492MC Y
Z	90°			HVG1P492MC Z
W	45°			HVG1P492MC W

9. SCOPE OF INNER SINGLE CABLE OUTSIDE DIAMETER :

2.5 & 4.0 mm² OD 7.0 Max.
INTERLOCK CABLE OD 2.5 Max.(0.5~0.75mm² CABLE)

DIMENSIONS	TOLERANCES	PROJECTION	TITLE		
ANSI Y14.5M UNITS: MM Pro/E FILE	X ± 0.5 XX ± 0.05 ANGLES $\pm 0.5^\circ$		Amphenol Pcd Shenzhen		
			ENGR	Jophy.Li	2018.01.31
ORIGINAL	THIS DOCUMENT CONTAINS PROPRIETARY INFORMATION WHICH IS THE CONFIDENTIAL PROPERTY OF AMPHENOL PCD SHENZHEN		CHKD		
NOT FOR CUSTOMER DISTRIBUTION			APPD		
			SIZE	DWG NO.	REV
			A3	C-HVGIP492MCXX	2
			CODE: 58982	SCALE: 3:2	SHEET 1 OF 1