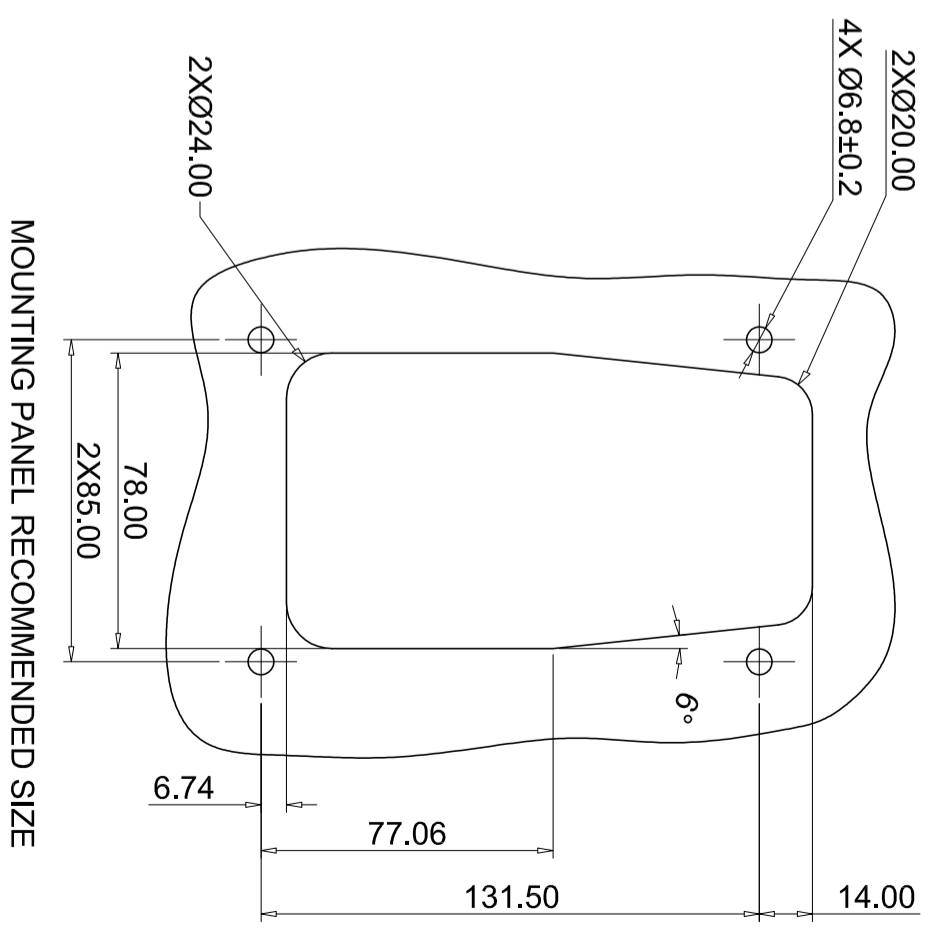
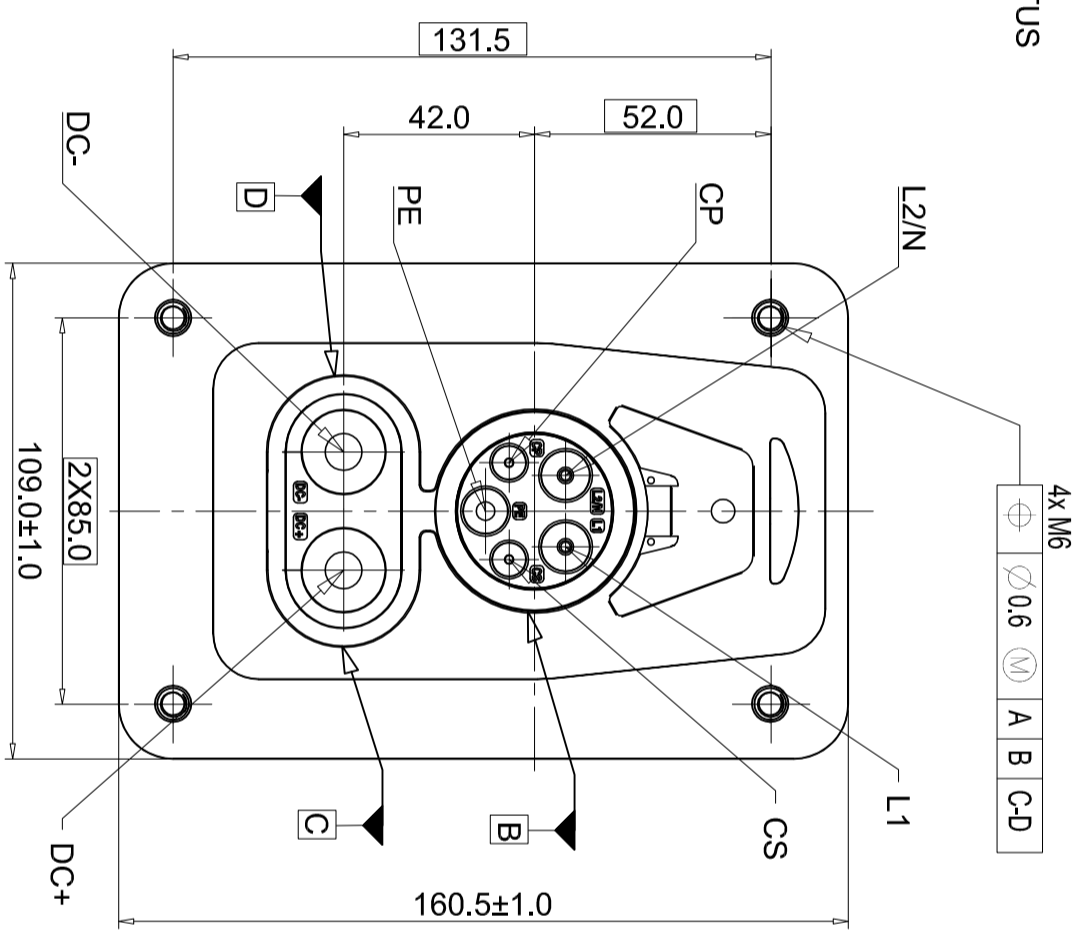
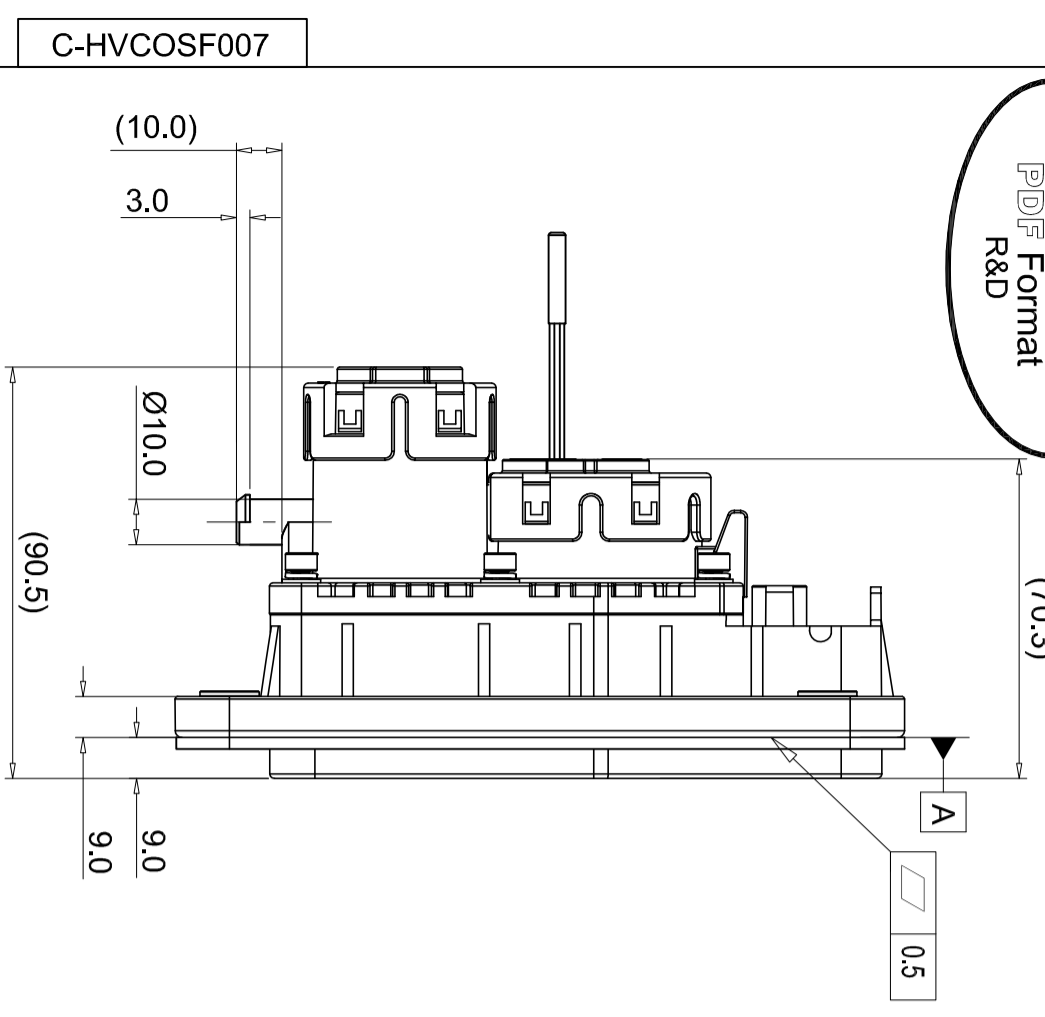


Amphenol PCD  
ORIGINAL  
PDF Format  
R&D

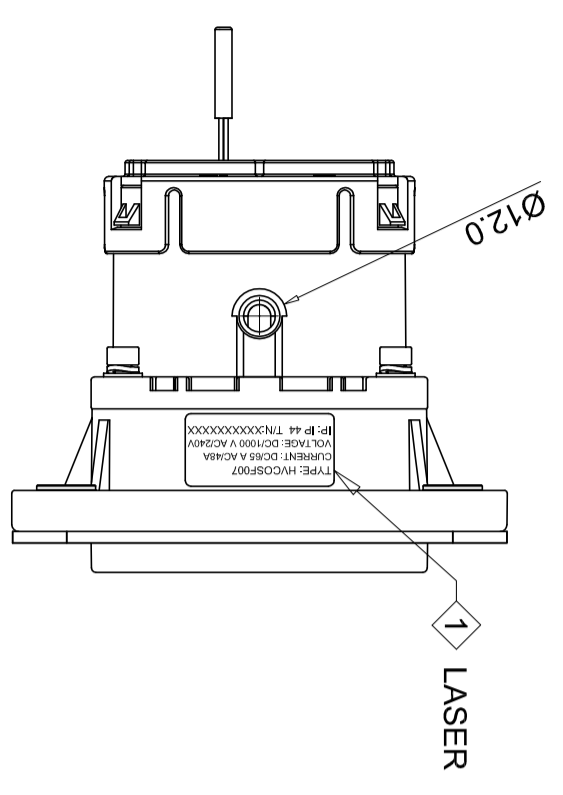
C-HVCOSF007

CONNECTOR ASSEMBLY STATUS  
(70.3)



TECHNICAL DATA

AMBIENT TEMPERATURE	-30°C to +50°C	
RATED CURRENT	DC+ & DC- : 65A DC ; L1& L2/N : 48A AC; CP&CS: 2A	✦
RATED VOLTAGE	DC+ & DC- : 1000V DC ; L1 & L2/N : 240V AC ; CP & CS : 30V	✦
WITHSTAND VOLTAGE	DC+ & DC- : 3000VAC / L1& L2/N: 2000VAC ; CP & CS : 500V	✦
INSULATION RESISTANCE	100MΩ MIN.	✦
IP CLASS	IP44 (PLUGGED IN) / IP55 (IN "ROAD" POSITION) / IP67 (INNER AREA OF VEHICLE INLET)	✦
DURABILITY	10000 CYCLES MIN.	◎
INSERTION & WITHDRAWAL FORCE	F<100N	
ROHS	ROHS COMPLIANCE	✦



TITLE  
CCS1 Vehicle INLET  
AC240V/48A ;DC1000V/65A; NO LED

DIMENSIONS	ANSI Y14.5M	TOLERANCES	.X ± 0.5	PROJECTION	Amphenol PCD Shenzhen
	UNITS: MM		.XX ±0.05		
	CAD FILE	ANGLES	±2°		

ORIGINAL	THIS DOCUMENT CONTAINS PROPRIETARY INFORMATION WHICH IS THE CONFIDENTIAL PROPERTY OF Amphenol PCD Shenzhen Co., Ltd. Amphenol PCD Shenzhen Co., Ltd. RESERVES THE RIGHT TO CLARIFY THIS DRAWING	CHKD	SIZE	DWG NO.	REV
		ENGR	A3	C-HVCOSF007	5
		APPD	CODE:	SCALE	SHEET
			58982	1:1	1 OF 4

✦ IS CRITICAL CHARACTERISTIC SYMBOL  
◎ IS IMPORTANT CHARACTERISTIC SYMBOL

C-HVCOSF007

PROTECTIVE COVER MOUNTING PLATE  
OPENINGS AND THICKNESS DIMENSIONS

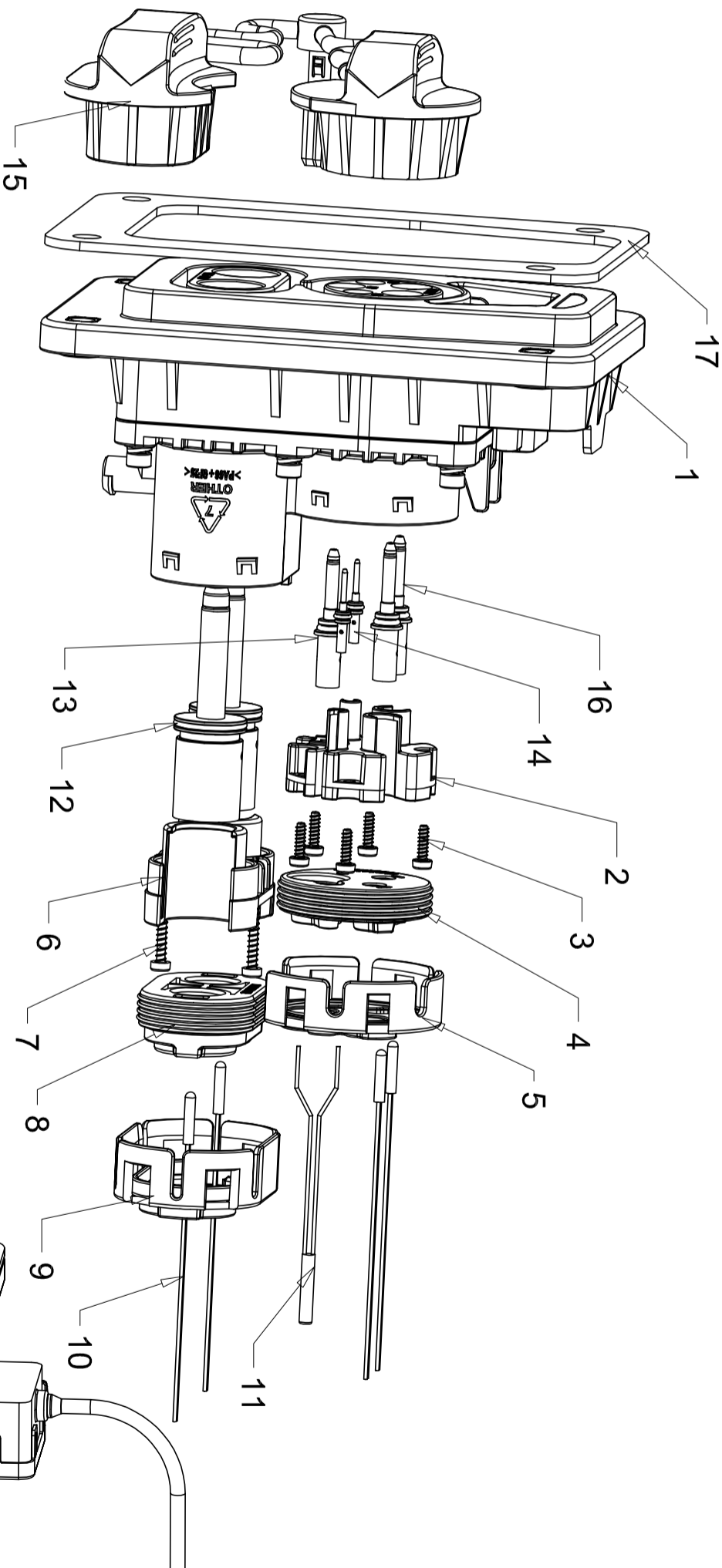
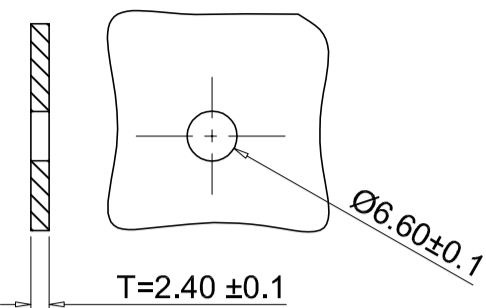
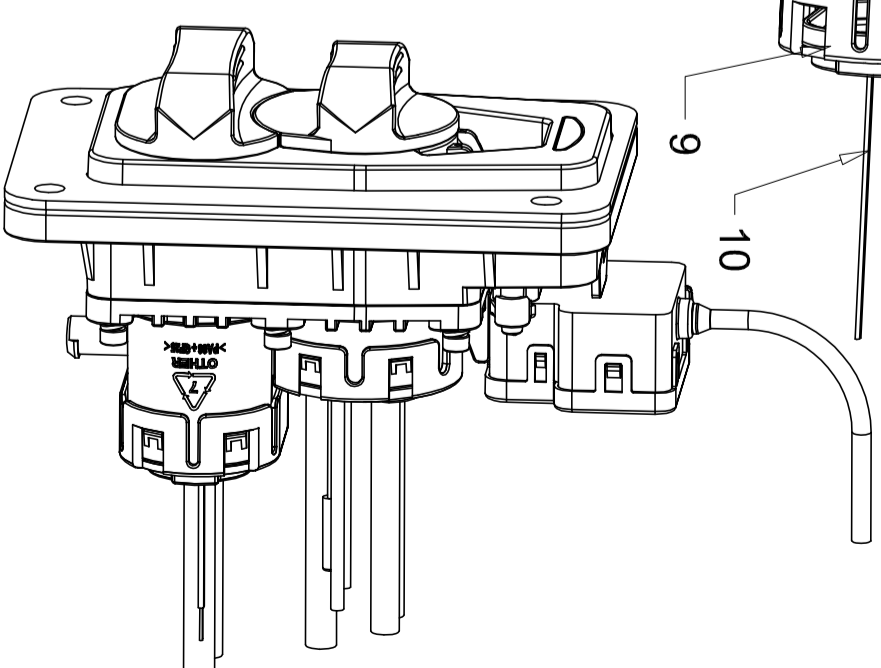


TABLE 1: COMPONENTS LIST

ITEM	PART NUMBER	DESCRIPTION	QTY.	ASSEMBLY/PACKAGING STATUS
1	N/A	HOUSING ASSEMBLY	1	PACKED IN BULK
2	P03BP00192	AC INSERT HOUSING	1	PACKED IN BULK
3	C210006302	SCREW ST2.9X10	5	PACKED IN BULK
4	P01BR00236	AC SEALING RING	1	PACKED IN BULK
5	P03BP0019603	AC REAR COVER	1	PACKED IN BULK
6	P03BP00193	DC INSERT HOUSING	1	PACKED IN BULK
7	P01BN00372	SCREW ST2.9X18	2	PACKED IN BULK
8	P01BR00232	DC SEALING RING	1	PACKED IN BULK
9	P03BP0019704	DC REAR COVER	1	PACKED IN BULK
10	C210006862	PT1000 SENSOR	4	PACKED IN BULK
11	P03BN00433	2.7K ohm RESISTOR	1	PACKED IN BULK
12	P03BM0024305	DC CONTACT (16SQ)	2	PACKED IN BULK
13	P03BM0024403	PE CONTACT (16SQ)	1	PACKED IN BULK
14	P03BM00245	CS,CP CONTACT (0.75SQ)	2	PACKED IN BULK
15	P02B000048	PROTECTIVE COVER	1	PACKED IN BULK
16	P03BM0024803	AC CONTACT (10SQ)	2	PACKED IN BULK
17	P01BR00241	FLAT WASHER	1	PACKED IN BULK



ASSEMBLY 3D REFERENCE DRAWING

SIZE	DWG NO.	REV
A3	C-HVCOSF007	5
CODE: 58982	SCALE 1:1	SHEET 2 OF 4

C-HVCOSF007

IFICATIONS AND REQUIREMENTS

CABLE REFERENCE STANDARD: LV216-2;  
AC&DC CABLE: TIN-PLATED CABLE IS RECOMMENDED;  
CABLE ID SIZE FOR IP PROTECTION OF INLET SIDE.

ITEM	DESCRIPTION	SPECIFICATIONS AND REQUIREMENTS
1	HOUSING COLOR	BLACK
2	UV REQUIRED	YES
3	CABLE SPEC FOR PE PIN	16mm <sup>2</sup> (6AWG) UNSHIELDED CABLE, I.D.: 8.8±0.2mm
4	CABLE SPEC FOR CP & CS PIN	0.75mm <sup>2</sup> (18 AWG) SHIELD CABLE, I.D.: 2.3±0.15mm
5	CABLE SPEC FOR DC+ & DC- PIN	16mm <sup>2</sup> (6 AWG) SHIELD CABLE, I.D.: 6.9±0.3mm
6	CABLE SPEC FOR L1 & L2/N PIN	10mm <sup>2</sup> (8 AWG) SHIELD CABLE, I.D.: 5.7±0.2mm
7	LED LIGHT	NO
8	TEMPERATURE SENSOR	MODEL: T01PT1000AATLW200D3L15 WIRE SPEC: 0.25Q.MM, WHITE, 200MM LENGTH, O.D 1.0±0.10mm OTHER SPECIFICATIONS REFER TO TABLE 3,4
9	MOUNTING TORQUE	M6: 8~10N.M
10	MOUNTING POSITION	REAR MOUNTING
11	REFER STANDARD	REFER TO IEC 62196-1; IEC 62196-2; IEC 62196-3;J1772:UL2251
12	PACKING WAY	ALL COMPONENTS ARE PACKED SEPARATELY
13	RESISTOR	2.7 KΩ (BETWEEN PE AND CS)

NOTES:

1. E-LOCK TO BE ORDERED SEPARATELY. P/N: HVEL12SS001, MOUNTING TORQUE IS 5±0.25KGF.CM

TABLE 3 DC TEMPERATURE SENSOR

PARAMETER	SPECIFICATION AND REQUIREMENT
OPERATING CURRENT	≤0.3mA
DIELECTRIC WITHSTAND VOLTAGE	≥3.0KV <sub>0</sub> AC
MEASURED TEMPERATURE RANGE	-50°C TO 300°C
SIGNIFICANT CODE	<p>R<sub>PT1000A</sub>: RESISTANCE MEASURED BY THE PT1000A TEMPERATURE SENSOR T(R<sub>PT1000A</sub>): TEMPERATURE[C] AT THE DC CONTACT BASED ON THE RESISTANCE OF THE PT1000A SENSOR.</p> <p>IF T&gt;0, THEN R(T)=R<sub>0</sub>*((1+A*T+B*T<sup>2</sup>+C*(T-100°C)*T<sup>3</sup>)</p> <p>IF T&lt;0, THEN R(T)=R<sub>0</sub>*((1+A*T+B*T<sup>2</sup>+C*(T-100°C)*T<sup>3</sup>)</p> <p>R<sub>0</sub>=1000Ω</p> <p>A=3.9083*10<sup>-3</sup>°C<sup>-1</sup> B=-5.775*10<sup>-7</sup>°C<sup>-2</sup> C=-4.183*10<sup>-12</sup>°C<sup>-4</sup></p> <p>OR REFER TO TABLE 6</p>
T(R <sub>PT1000A</sub> )=90°C	THE CHARGE CURRENT MUST BE REDUCED IN ORDER TO PREVENT FURTHER INCREASE OF TEMPERATURE AT THE DC CONTACTS.
T(R <sub>PT1000A</sub> )=120°C	CHARGING PROCESS HAS TO BE SHUT DOWN! THE MAXIMUM PERMISSIBLE TEMPERATURE AT THE DC CONTACTS HAS BEEN REACHED.

C-HVCOSF007

C-HVCOSF007

SIZE	DWG NO.	SCALE	SHEET	REV
A3	C-HVCOSF007	1:1	3 OF 4	5
CODE: 58982				

TABLE 4 TEMP./RESISTOR COMPARISON TABLE FOR DC SENSOR

Temperatur in °C	0	1	2	3	4	5	6	7	8	9
-30	882,22	886,17	890,11	894,05	897,99	901,93	905,87	909,80	913,74	917,67
-20	821,60	825,54	829,47	833,39	837,32	841,25	845,17	849,10	853,02	856,94
-10	860,86	864,78	868,70	872,62	876,53	880,45	884,36	888,27	892,18	896,09
0	1000,00	1003,91	1007,81	1011,72	1015,62	1019,53	1023,43	1027,33	1031,23	1035,13
10	1039,02	1042,92	1046,81	1050,71	1054,60	1058,49	1062,38	1066,27	1070,16	1074,04
20	1077,93	1081,81	1085,70	1089,58	1093,46	1097,34	1101,22	1105,10	1108,97	1112,85
30	1116,72	1120,59	1124,47	1128,34	1132,21	1136,07	1139,94	1143,81	1147,67	1151,53
40	1155,40	1159,26	1163,12	1166,98	1170,84	1174,69	1178,55	1182,40	1186,25	1190,11
50	1193,96	1197,81	1201,66	1205,50	1209,35	1213,19	1217,04	1220,88	1224,72	1228,56
60	1232,40	1236,24	1240,08	1243,91	1247,75	1251,58	1255,41	1259,25	1263,08	1266,90
70	1270,73	1274,56	1278,38	1282,21	1286,03	1289,85	1293,67	1297,49	1301,31	1305,13
80	1308,95	1312,76	1316,58	1320,39	1324,20	1328,01	1331,82	1335,63	1339,43	1343,24
90	1347,04	1350,85	1354,65	1358,45	1362,25	1366,05	1369,85	1373,65	1377,44	1381,23
100	1385,03	1388,82	1392,61	1396,40	1400,19	1403,98	1407,76	1411,55	1415,33	1419,11
110	1422,90	1426,68	1430,46	1434,23	1438,01	1441,79	1445,56	1449,33	1453,11	1456,88
120	1460,65	1464,42	1468,18	1471,95	1475,72	1479,48	1483,24	1487,01	1490,77	1494,53
130	1498,28	1502,04	1505,80	1509,55	1513,31	1517,06	1520,81	1524,56	1528,31	1532,06

C-HVCOSF007

C-HVCOSF007

SIZE	DWG NO.	SCALE	SHEET	REV
A3	C-HVCOSF007	1:1	4 OF 4	5
CODE:	58982			