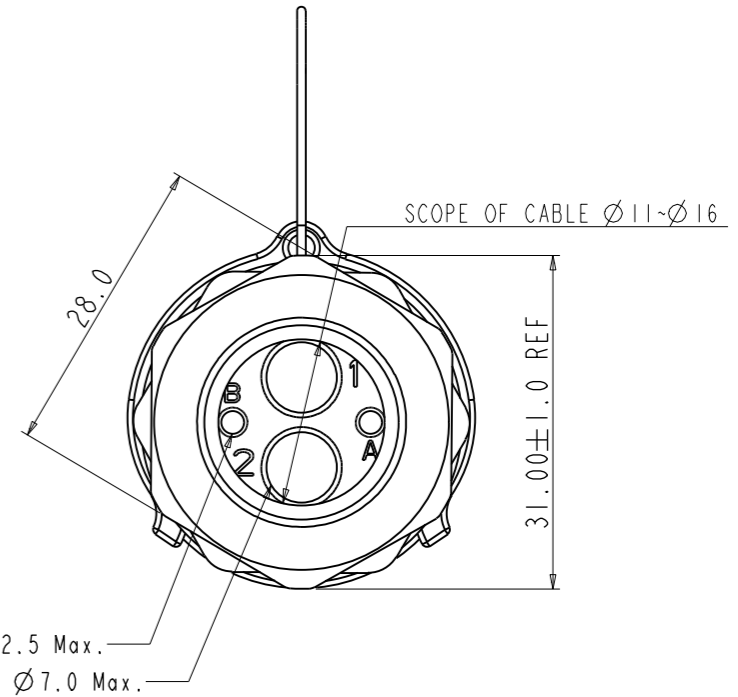
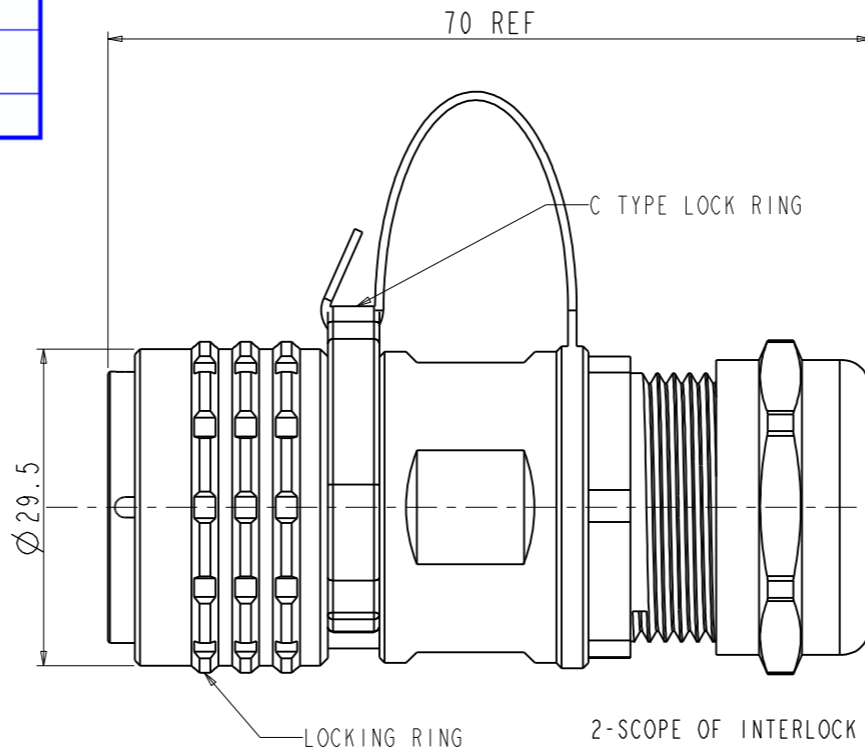
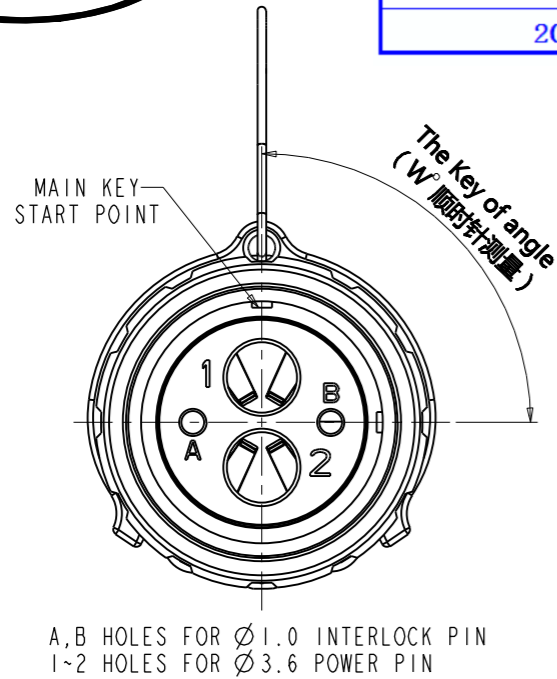


Amphenol PCDSZ
ORIGINAL
PDF Format
R&D

安费诺精密连接器(深圳)有限公司
Amphenol PCD Shenzhen
受控文件
2018年2月5日



C-HVGIP492FCXX

- NOTES:
1. FINISHED PRODUCT DOES HAVE NOT THE PIN, NEED TO BUY SEPARATE.
 2. THE POWER PIN P/N FOR 6MM² CABLE: HVG30F6, USE LEVEL: 2PCS
THE POWER PIN P/N FOR 10MM² CABLE: HVG30F10, USE LEVEL: 2PCS
 3. THE INTERLOCK PIN P/N: HVG20F1, USE LEVEL: 2PCS
 4. WIHT C TYPE LOCK RING AND DUST CAP.
 5. TORQUE: 5~8N*M
 6. THE SCOPE OF CABLE OD= $\phi 11-\phi 16$
 7. TECHNICAL DATA TABLE

CURRENT RATE (6mm ² CABLE)	40A @ AMBIENT 70° C	+
CURRENT RATE (10mm ² CABLE)	50A @ AMBIENT 70° C	+
UL RATING VOLTAGE (OVERVOLTAGE CATEGORY II POLLUTION DEGREE 2)	800V DC	+
OPERATING TEMPERATURE	-40~125° C	
DIELECTRIC WITH STANDING VOLTAGE	3000V AC	+
INSULATION RESISTANCE	2000M Ω MIN. 25° C, NO CABLE	+
DURABILITY	500 CYCLES	○
SHIELDING	YES	○
WATERPROOF (MATED CONDITION)	IP 67	+
AMBIENT TEMPERATURE	-40~70° C	
TECHNICAL DESCRIPTION	TECHNICAL DATA	FEATURE

8. PART NUMBER DESCRIPTION:
HVG1P492FC XX

- ② KEY OF CODING OPTION
- XR: KEY X & RED(w°=270°)
 - YY: KEY Y & YELLOW(w°=315°)
 - ZB: KEY Z & BLUE(w°=90°)
 - WG: KEY W & GREEN(w°=45°)
 - NO CODE: NO KEY & BLACK(w°=0°)
 - X : KEY X & BLACK(w°=270°)
 - Y : KEY Y & BLACK(w°=315°)
 - Z : KEY Z & BLACK(w°=90°)
 - W : KEY W & BLACK(w°=45°)

ANGLE CODE	ANGLE OF KEY(w°)	COLOR CODE	COLOR OF LOCKING RING	P/N(FOR EXAMPLE)
NO CODE	0°	NO CODE	BLACK	HVG1P492FC
X	270°	R	RED	HVG1P492FC XR
Y	315°	Y	YELLOW	HVG1P492FC YY
Z	90°	B	BLUE	HVG1P492FC ZB
W	45°	G	GREEN	HVG1P492FC WG
X	270°	NO CODE	BLACK	HVG1P492FC X
Y	315°			HVG1P492FC Y
Z	90°			HVG1P492FC Z
W	45°			HVG1P492FC W

9. SCOPE OF INNER SINGLE CABLE OUTSIDE DIAMETER :
2.5 & 4.0 mm² OD 7.0 Max.
INTERLOCK CABLE OD 2.5 Max.(0.5~0.75mm² CABLE)

DIMENSIONS ANSI Y14.5M UNITS: MM Pro/E FILE	TOLERANCES .X ±0.5 .XX ±0.05 ANGLES ±0.5°	PROJECTION 	TITLE TRIPLEX PLUG ASSEMBLY WITH INTERLOCK		
			ENGR	CHKD	APPD
ORIGINAL NOT FOR CUSTOMER DISTRIBUTION	THIS DOCUMENT CONTAINS PROPRIETARY INFORMATION WHICH IS THE CONFIDENTIAL PROPERTY OF AMPHENOL PCD SHENZHEN		SIZE A3	DWG NO. C-HVG1P492FCXX	REV 2
			CODE: 58982	SCALE: 2:1	SHEET 1 OF 1

C-HVGIP492FCXX