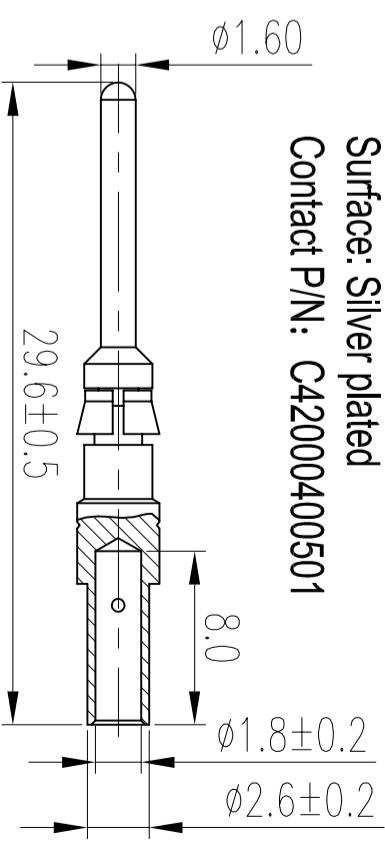
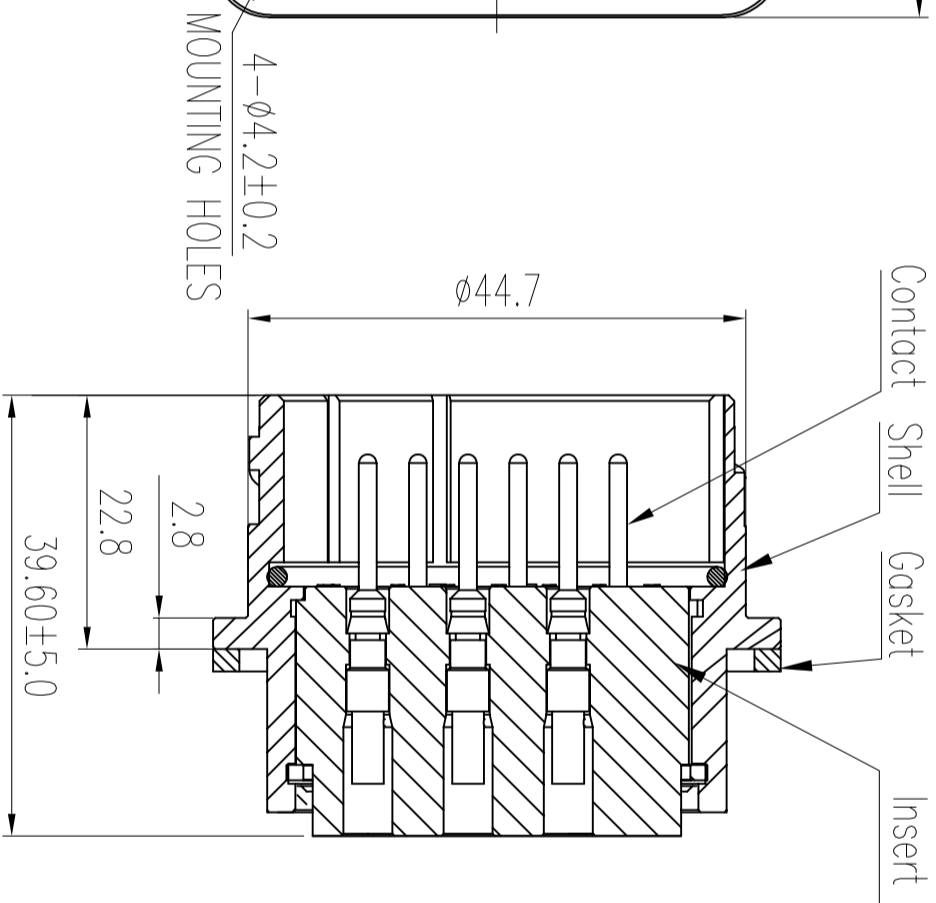
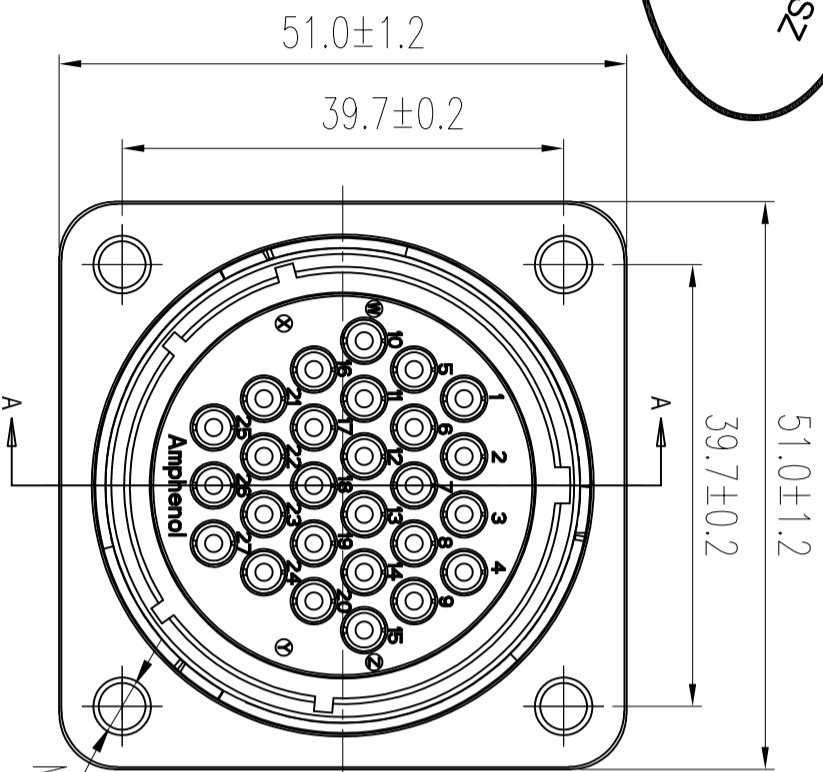


Amphenol PCD SZ  
ORIGINAL  
PDF Format  
R&D



Detail for contact:  
Crimping: 0.5~1.0 mm<sup>v2</sup>  
Surface: Silver plated  
Contact P/N: C42000400501

**\*Notes/技术参数:**

**Material 材料\ Finish表面处理**

Shells/外壳 : Aluminum alloy 铝合金/ Olive drab zinc plated 镀绿锌

Insert 插芯: Thermoplastics 热塑料 UL94-V0

Contact/插针: 27x #16 Pin contacts 27根公针

Copper alloy 铜合金

Silver plated crimp type 镀银, 压接形式

Gasket密封垫: Silicone 硅胶

**Mechanical data 机械参数**

Operating Temperature 温度范围: -55°C ~ +125°C

IP-Class 防水等级: IP67

Durability 机械寿命: 500 cycles

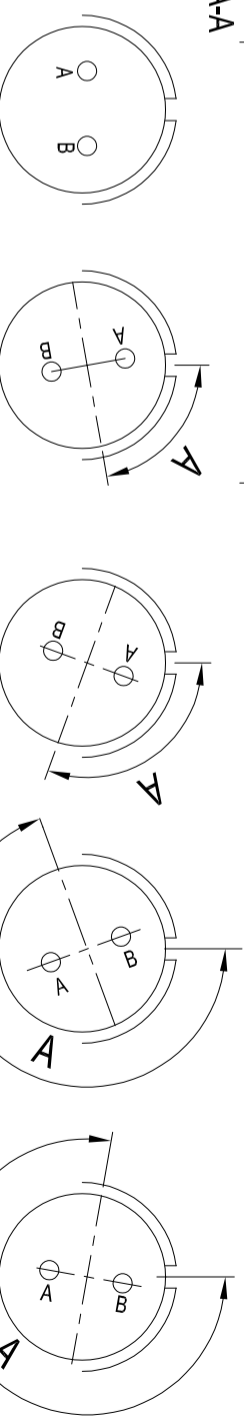
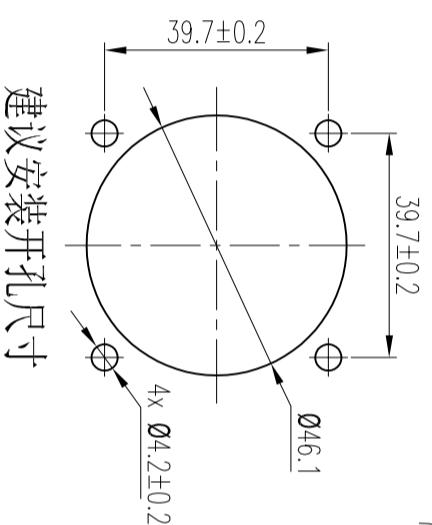
**Electrical data 电气参数:**

Rated Voltage 额定电压 : 250V AC (TB/T1333)

Rated Current 额定电流 : 13A(#16contacts)

Insulation Resistance: 2000 MΩ Min

Contact Resistance: Less than 2.5milliohms



ASGL-3A-2827-PC-Z	Z	280°
ASGL-3A-2827-PC-Y	Y	250°
ASGL-3A-2827-PC-X	X	110°
ASGL-3A-2827-PC-W	W	80°
P/N	Direction	Revolution Angle(A)

**RECEPTACLE/插座**

DIMENSIONS	TOLERANCES	PROJECTION	TITLE	
ANSI Y14.5M UNITS: MM CAD/ FILE	X XX ANGLES ± 0.5 ±0.10 ±0.5°		Amphenol Pcd Shenzhen	
ORIGINAL FOR CUSTOMER DISTRIBUTION	THIS DOCUMENT CONTAINS PROPRIETARY INFORMATION WHICH IS THE CONFIDENTIAL PROPERTY OF AMPHENOL PCD SHENZHEN		CHKD	SIZE
			APPD	A3
			SCALE	DWG NO.
			1:1	ASGL-3A-2827-PC-XX
			SHEET	REV
			1 OF 1	1

REV	ECN	DESCRIPTION	DATE	MODIFIED
1		PRE-RELEASE	2018.05.23	J.C