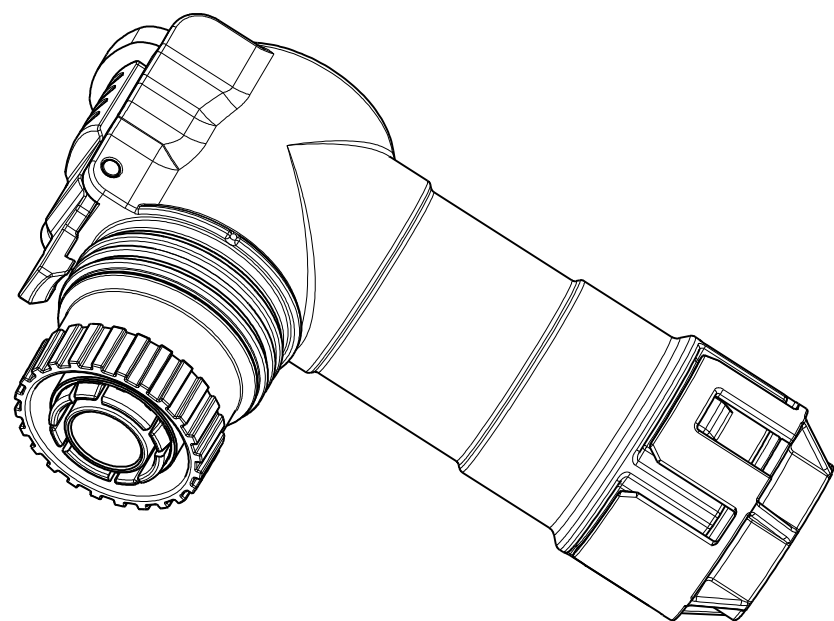
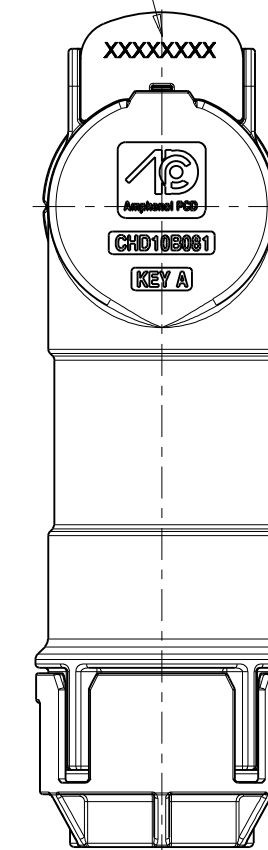
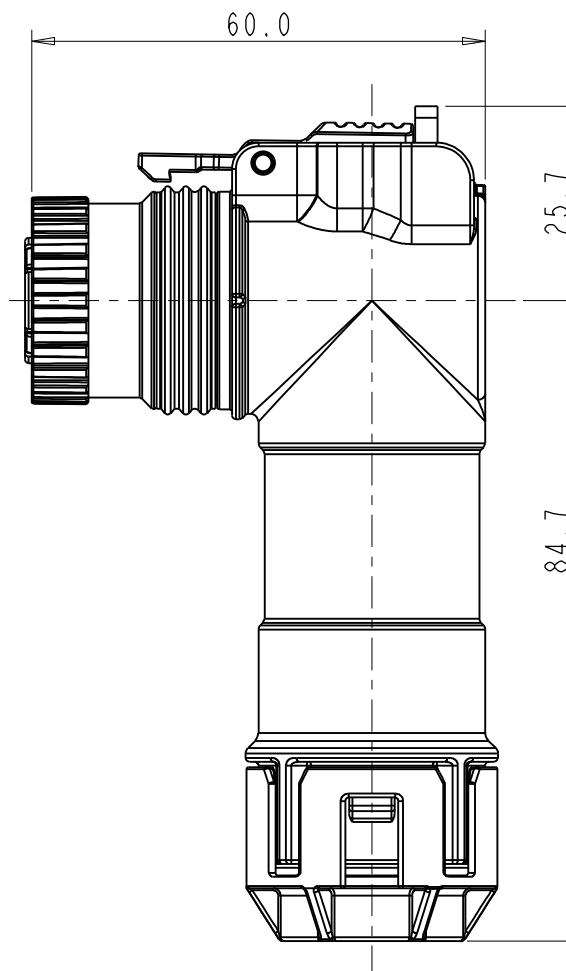
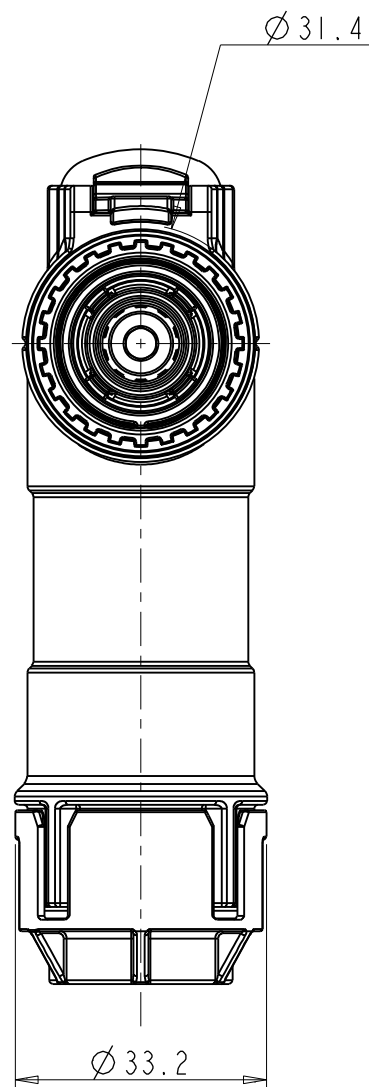


REV	ECN	DESCRIPTION	DATE	MODIFIED
1		PRE- RELEASE	Nov-13-25	

Amphenol PCDSZ
ORIGINAL
PDF Format
R&D



PRODUCT TRACEABILITY CODE



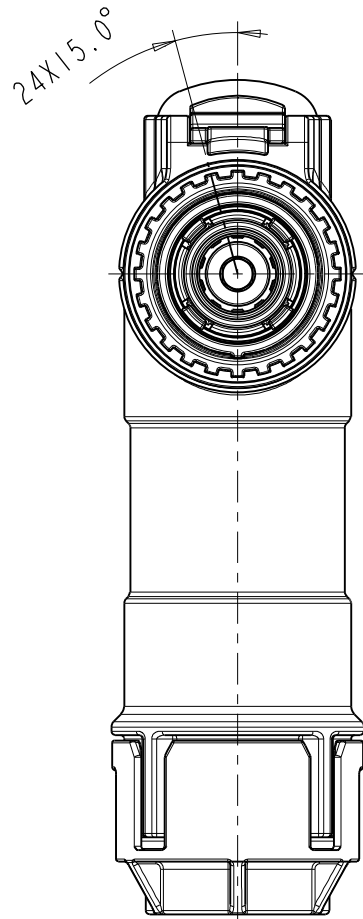
C-CHD10B081X107

C-CHD10B081X107

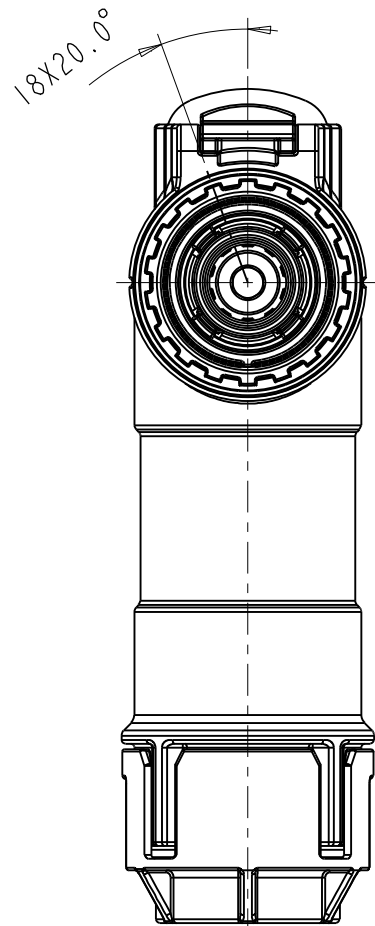
TECHNICAL DATA		
CURRENT RATE (95MM ² SHIELD TINNED CABLE)	330A @ AMBIENT 70°C	+
RATING VOLTAGE (OVERVOLTAGE CATEGORY III POLLUTION DEGREE 2)	1500V DC	+
OPERATING TEMPERATURE	-40 TO 125°C	
DIELECTRIC WITHSTANDING VOLTAGE	4000V AC(RMS)	+
INSULATION RESISTANCE	200M Ω MIN.@25°C	+
DURABILITY	50 CYCLES	⊙
SHIELDING	YES	
WATERPROOF (MATED CONDITION)	IP67, IP6K9K	+
PROTECTION LEVEL(UNMATED)	IP2XB	+
AMBIENT TEMPERATURE	-40 TO 70°C	
RoHS & REACH	YES	+
NEUTRAL SALT SPRAY	720H	

安费诺精密连接器(深圳)有限公司
Amphenol PCD Shenzhen
受控文件
2025年11月18日

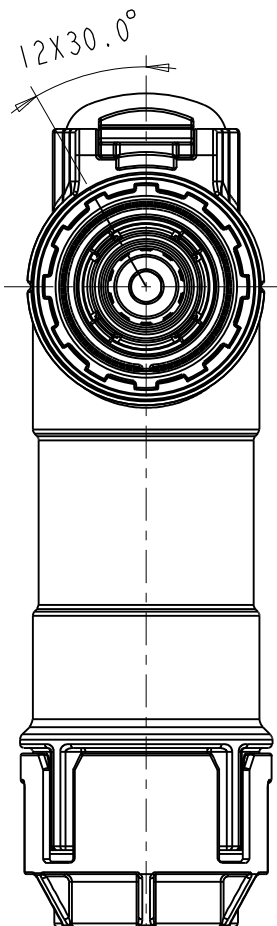
DIMENSIONS	TOLERANCES	PROJECTION	TITLE		
ANSI Y14.5M UNITS: MM Pro/E FILE	.X ± 0.5 .XX ± 0.05 ANGLES $\pm 2^\circ$		R/A PIUG ASSEMBLY		
ORIGINAL	THIS DOCUMENT CONTAINS PROPRIETARY INFORMATION WHICH IS THE CONFIDENTIAL PROPERTY OF Amphenol PCD Shenzhen Co. Ltd Amphenol PCD Shenzhen Co. Ltd RESERVES THE RIGHT TO CLARIFY THIS DRAWING	ENGR	NOV-13-25	SIZE	DWG NO.
		CHKD		A3	C-CHD10B081X107
		APPD			REV
					1
				SCALE: 1:2	SHEET 1 OF 3



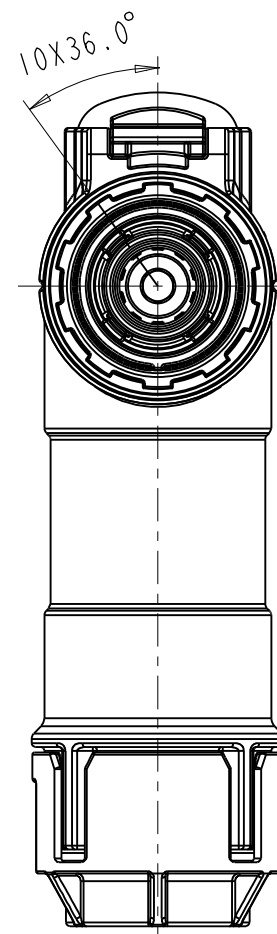
KEY A



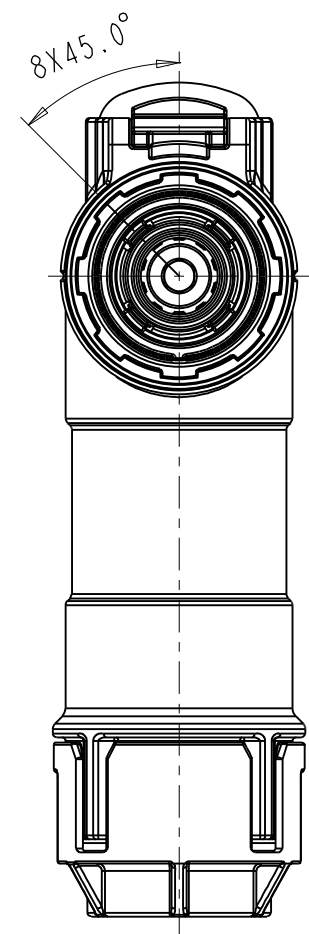
KEY B



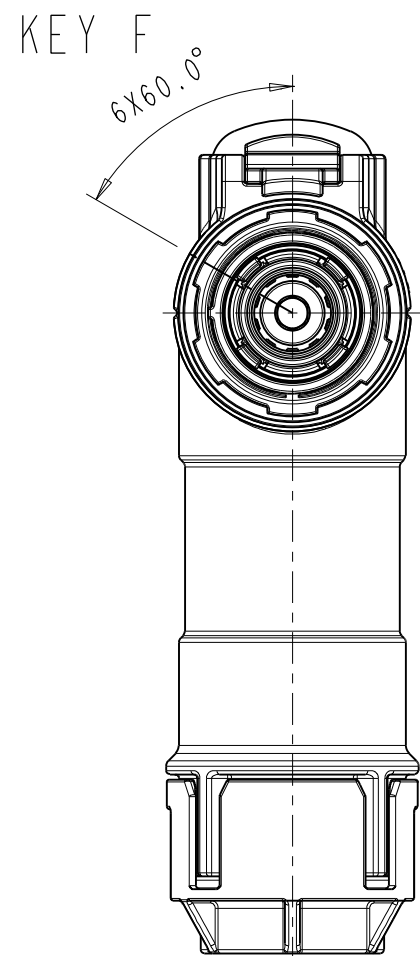
KEY C



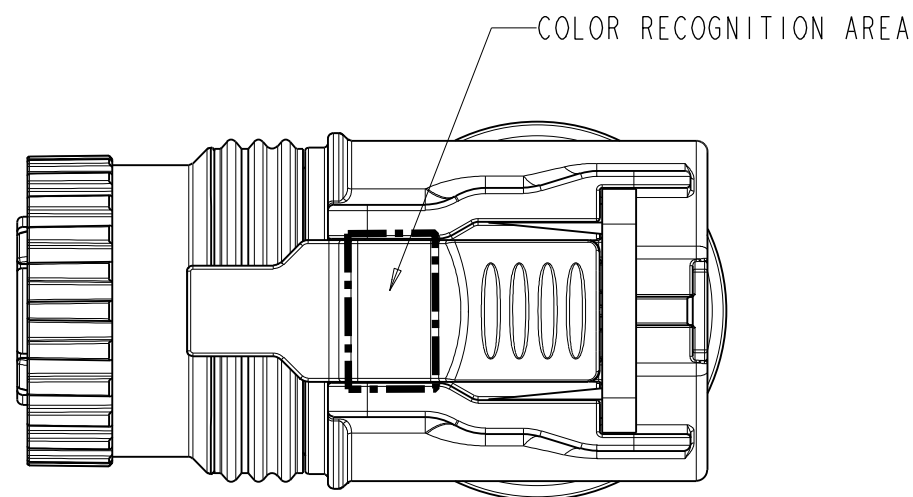
KEY D



KEY E



KEY F

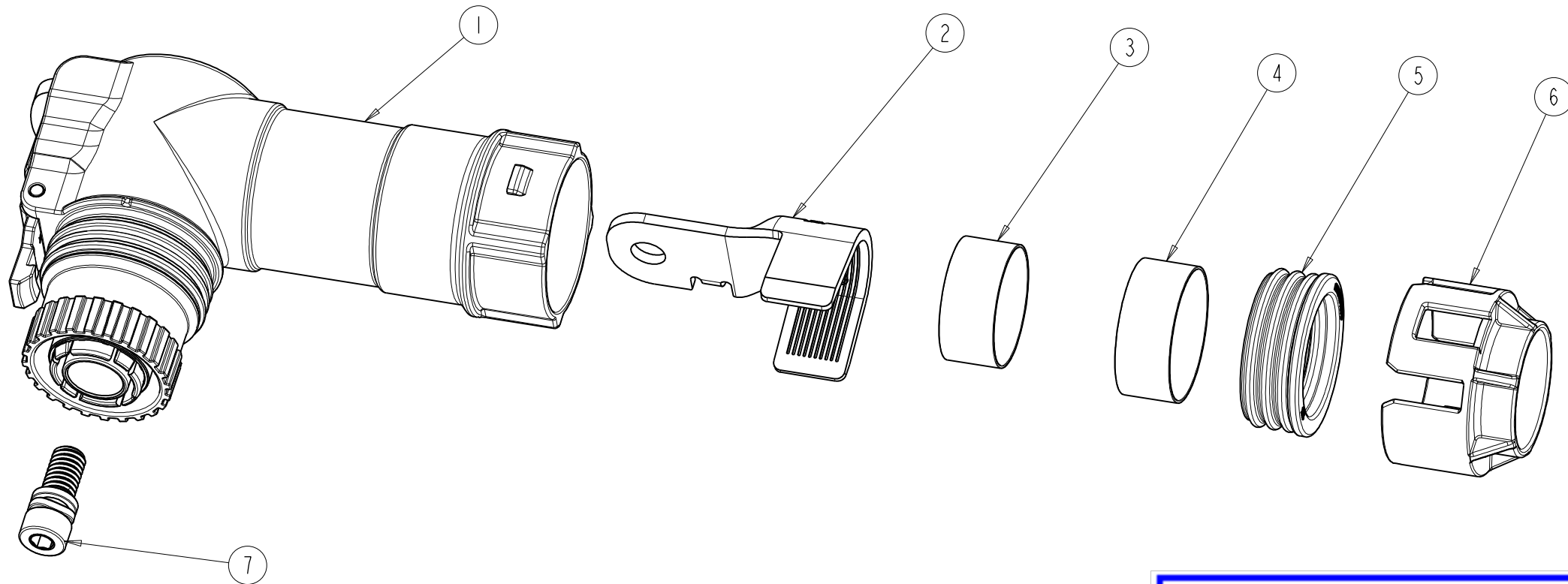


安费诺精密连接器(深圳)有限公司
Amphenol PCD Shenzhen

受控文件

2025年11月18日

SIZE	DWG NO.	REV
A3	C-CHD10B081X107	1
SCALE: 1:2		SHEET 2 OF 3



安费诺精密连接器(深圳)有限公司
Amphenol PCD Shenzhen

受 控 文 件

2025年11月18日

C H D 1 0 B 0 8 1 X 1 0 7

SERIES CODE

TERMINAL SPECIFICATIONS

SALT SPRAY 720 H

R/A PLUG

SINGLE PIN

KEY & COLOR CODE:

TABLE 1		
CODE	DESCRIPTION	I# MAIN BODY & WITH HVIL
A	KEY A, RED	P02B00111501
B	KEY B, BLACK	P02B00111502
C	KEY C, YELLOW	P02B00111503
D	KEY D, GREEN	P02B00111504
E	KEY E, BLUE	P02B00111505
F	KEY F, PURPLE	P02B00111506

INTERLOCK CODE:

CODE	DESCRIPTION
I	WITH HVIL

CABLE SIZE OPTION:

07: 95mm² CABLE (LV216) OD = 20.9+0/-0.8

ITEM	COMPONENT P/N	DESCRIPTION	Q'TY
7	P01BN00628	M6 SCREW	1
6	P01BP0162801	END CAP	1
5	P01BR01375	CABLE SEALING	1
4	P01BM03220	OUTER SHIELD RING	1
3	P01BM03221	INNER SHIELD RING	1
2	P01BS0037103	95MM ² POWER PIN	1
1	SEE TABLE 1	MAIN BODY	1

SIZE	DWG NO.	REV
A3	C-CHD10B081X107	1
SCALE: 1:2		SHEET 3 OF 3