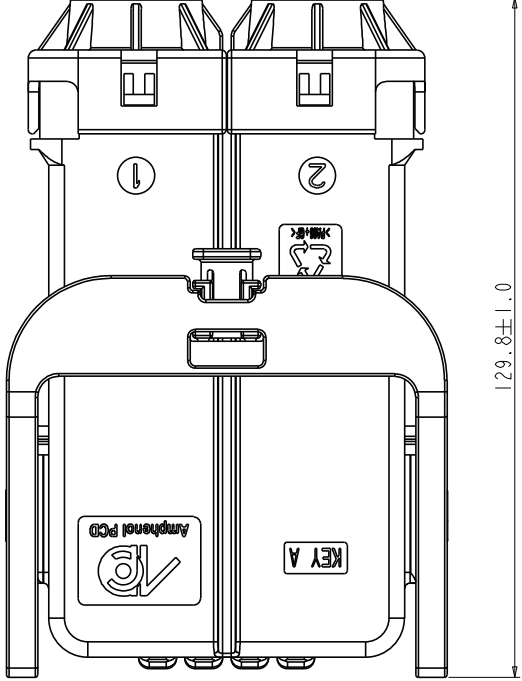
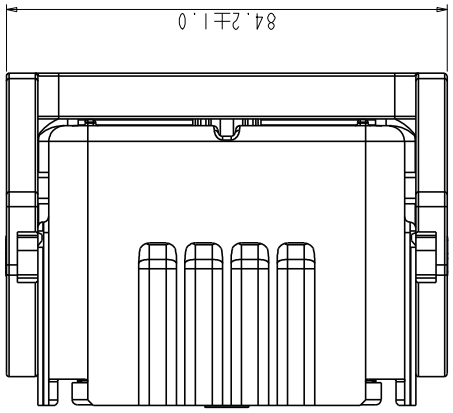
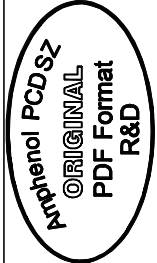


REV	ECN	DESCRIPTION	DATE	MODIFIED
1		PRE- RELEASE	Oct-14-2024	

C-HVSLF30082XXXXX

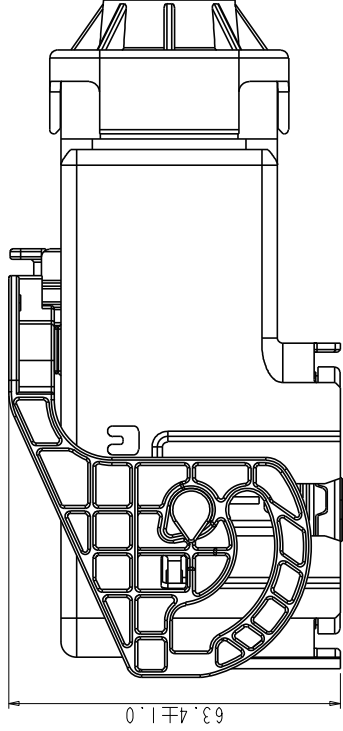
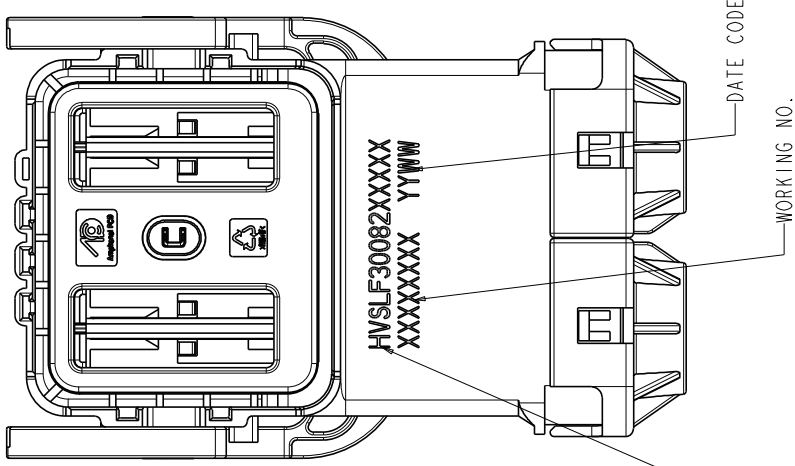
REV	ECN	DESCRIPTION	DATE	MODIFIED
1		PRE- RELEASE	Oct-14-2024	

C-HVSLF30082XXXXX



安费诺精密连接器(深圳)有限公司
Amphenol PCD Shenzhen
受控文件
2024年11月14日

TECHNICAL DATA	
CURRENT RATE 95MM ² WIRE	350A
CURRENT RATE 120MM ² WIRE	430A
SIGNAL CURRENT	5A MAX
VOLTAGE RATE	POWER: 1000V DC
OPERATING TEMPERATURE	-40-125°C
DIELECTRIC WITHSTANDING VOLTAGE	POWER: 3000V AC
INSULATION RESISTANCE	SIGNAL: 660V AC
DURABILITY	>100MΩ
SHIELDING	50 CYCLES
WATERPROOF (MATED CONDITION)	NO
UNMATED CONDITION	IP67 IP6K9K
CORROSION-PROFF GRADE (SALT FOG TEST)	IP2XB
AMBIENT TEMPERATURE	96 HOURS
95mm ² CABLE SIZE (JACKET DIAMETER)	-40-70°C
120mm ² CABLE SIZE (JACKET DIAMETER)	∅ 16.9±0.5
	∅ 19.0±0.5



HVSLF 30082 X X XXX
 095: 95mm² CABLE
 120: 120mm² CABLE
 A: A KEY
 B: B KEY
 C: B KEY
 D: D KEY
 0: WITHOUT SIGNAL
 1: WITH SIGNAL

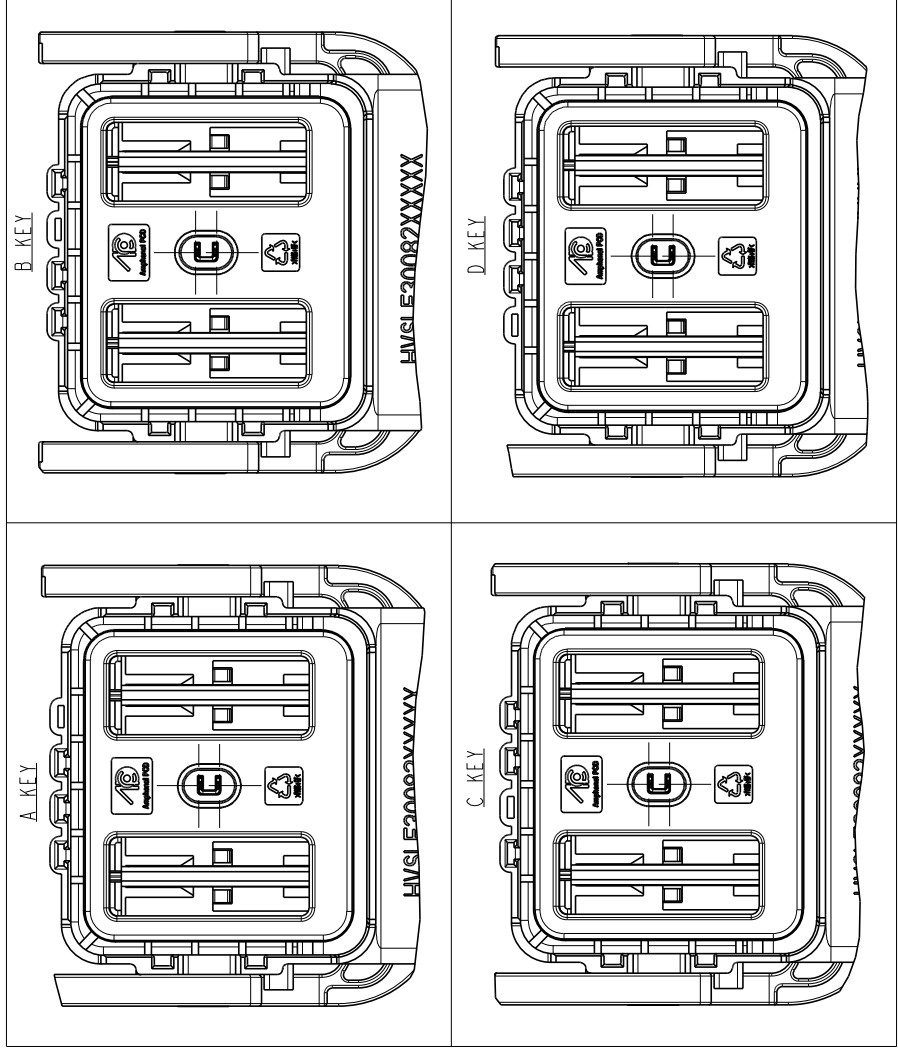
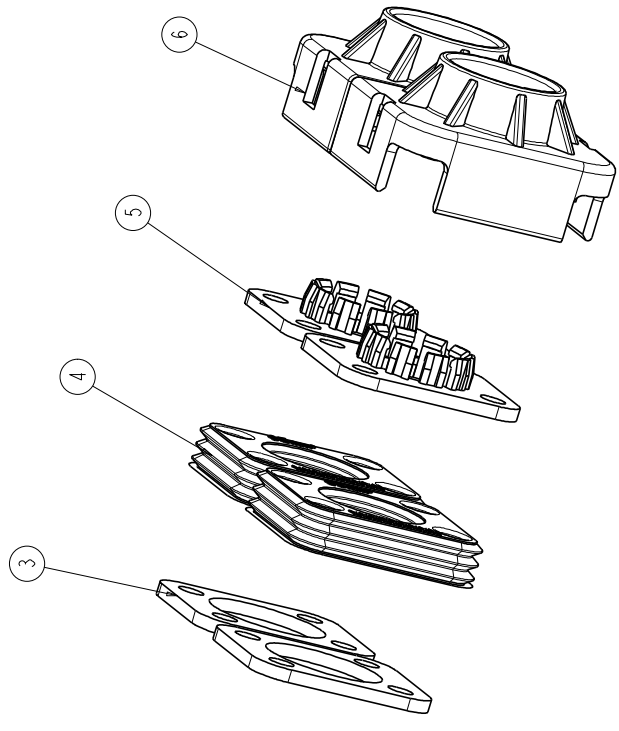
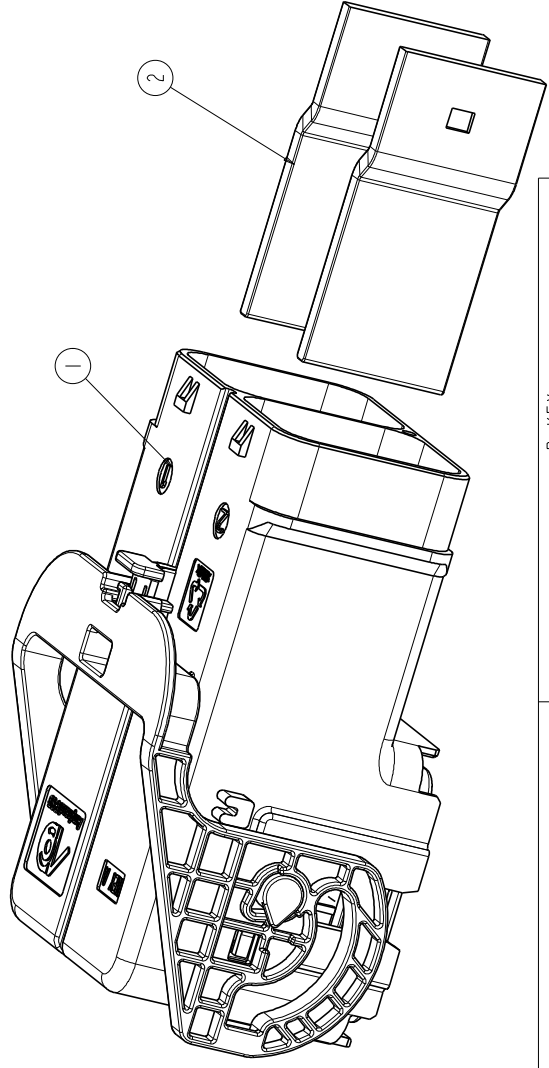
DIMENSIONS	TOLERANCES	PROJECTION
ANSI Y14.5M UNITS: MM Prt/E FILE	X ±0.5 XX ±0.05 ANGLES ±2°	
ORIGINAL	THIS DOCUMENT CONTAINS PROPRIETARY INFORMATION WHICH IS THE CONFIDENTIAL PROPERTY OF Amphenol PCD Shenzhen Co., Ltd. Amphenol PCD, Shenzhen Co., Ltd. RESERVES THE RIGHT TO CLARIFY THIS DRAWING	

TITLE	
Amphenol PCD Shenzhen ENGR C-HVSLF30082XXXXX Oct-14-2024 CHKD APPD	
SIZE A3	DWG NO. C-HVSLF30082XXXXX
REV 1	SHEET 1 OF 2
SCALE: 1:1	

C-HVSLF30082XXXXX

INDEX 1 ASSEMBLED SHIPMENT
INDEX 2-6 ACCESSORIES SHIPMENT

C-HVSLF30082XXXX



6	P01BP01157XX XX=(03,04)	END CAP	2	03: 9.5mm ² CABLE 04: 1.20mm ² CABLE
5	P01BP01215XX XX=(01,02)	CABLE CLAMP	2	01: 9.5mm ² CABLE 02: 1.20mm ² CABLE
4	P01BR0112XX XX=(03,04)	CABLE SEAL	2	03: 9.5mm ² CABLE 04: 1.20mm ² CABLE
3	P01BP01214	GUARD PLATE	2	
2	P01BS00585	CONTACT	2	
1	HVSLF30082XY X=(A,B,C,D)KEY Y=(0,1)	PLUG BODY	1	0: WITHOUT SIGNAL 1: WITH SIGNAL
INDEX	P/N	DESCRIPTION	QTY	NOTE

SIZE	DWG NO.	REV
A3	C-HVSLF30082XXXX	1
SCALE: 1:1		SHEET 2 OF 2