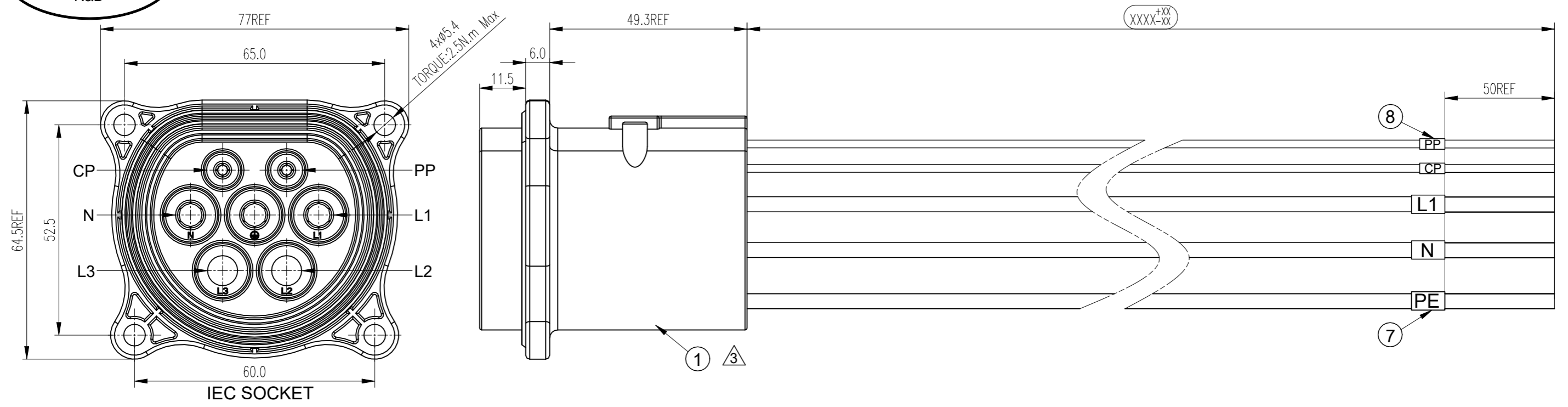


REV	ECN	DESCRIPTION	DATE	MODIFIED
1		RELEASE	Dec-03-2023	
2	R7372N-2	CHANGE STRUCTURE	Sep-19-2023	
3	R7816N	CHANGE SOCKET P/N	Mar-20-2024	

PDF Format R&D



C-HVCOILFS506LXXXX

C-HVCOILFS506LXXXX

**CABLE CONNECT METHOD**

6mm <sup>2</sup> (Brown) ②	L1
L2/Blank	
L3/Blank	
6mm <sup>2</sup> (Blue) ③	N
6mm <sup>2</sup> (Ye/Gn) ④	PE
0.5mm <sup>2</sup> (Red) ⑤	PP
0.5mm <sup>2</sup> (Black) ⑥	CP

HVCOILFS506L XXXX

LENGTH	TOLERANCE
0~1000mm	+25 -10
1001~5000mm	+40 -10
>5000mm	+50 -20

- \*Notes:**
- Cable assembly data:
    - Rated Voltage: 250V AC (L1&N&PE); 30V DC (CP&PP);
    - Rated Current: 32A (L1&N); 2A (CP&PP);
    - IP-Class: IP2X; IP55 (Mated)
    - Insulation Resistance: 100MΩ Min/500V DC
    - Withstand Voltage: 2000V r.m.s / L1&N&PE; 500V r.m.s / PP&CP
  - Durability: >10000 Cycles
  - RoHS Compliance
  - Ambient Temperature: -30°C ~ +50°C
  - Reference Standard IEC 62196-2; CE marking
  - Installed towards down, install standard reference: C-P02B000641
  - The cable should be fixed at 100mm max from the rear of connector
  - Cable Minimum Bending Radius: ≥5OD

⑧	C210006837	H.S.T: Ø3.2 WHITE NOT MARKING	0.05	m
⑦	P05B000006	H.S.T: Ø6.0 WHITE NOT MARKING	0.10	m
⑥	C210030045	0.5mm <sup>2</sup> UNSHIELDING BLACK OD=1.6±0.1	AR	m
⑤	C210030046	0.5mm <sup>2</sup> UNSHIELDING RED OD=1.6±0.1	AR	m
④	C210030042	6mm <sup>2</sup> UNSHIELDING YELLOW/GREEN, XLPE OD=5.1±0.2	AR	m
③	P01BC00200	6mm <sup>2</sup> TINNED UNSHIELDING BLUE, XLPE OD=5.1±0.2	AR	m
②	P01BC00199	6mm <sup>2</sup> TINNED UNSHIELDING BROWN, XLPE OD=5.1±0.2	AR	m
①	P02B000641	IEC SOCKET OUTLET : P02B000641 BLACK	1	EA

DIMENSIONS	TOLERANCES	PROJECTION	TITLE	
ANSI Y14.5M UNITS: MM CAD FILE	.X ± 0.5 .XX ± 0.05 ANGLES ± 2.0°		IEC SOCKET OUTLET 32A 1P WITH NTC CABLE ASSEMBLY	
ORIGINAL	THIS DOCUMENT CONTAINS PROPRIETARY INFORMATION WHICH IS THE CONFIDENTIAL PROPERTY OF Amphenol PCD Shenzhen Co. Ltd Amphenol PCD Shenzhen Co. Ltd RESERVES THE RIGHT TO CLARIFY THIS DRAWING		SIZE A3	DWG NO. C-HVCOILFS506LXXXX
			SCALE NA	SHEET 1 OF 1

Amphenol PCD Shenzhen  
ENGR  
Dec-03-2023  
CHKD  
APPD

REV 3  
REV 3