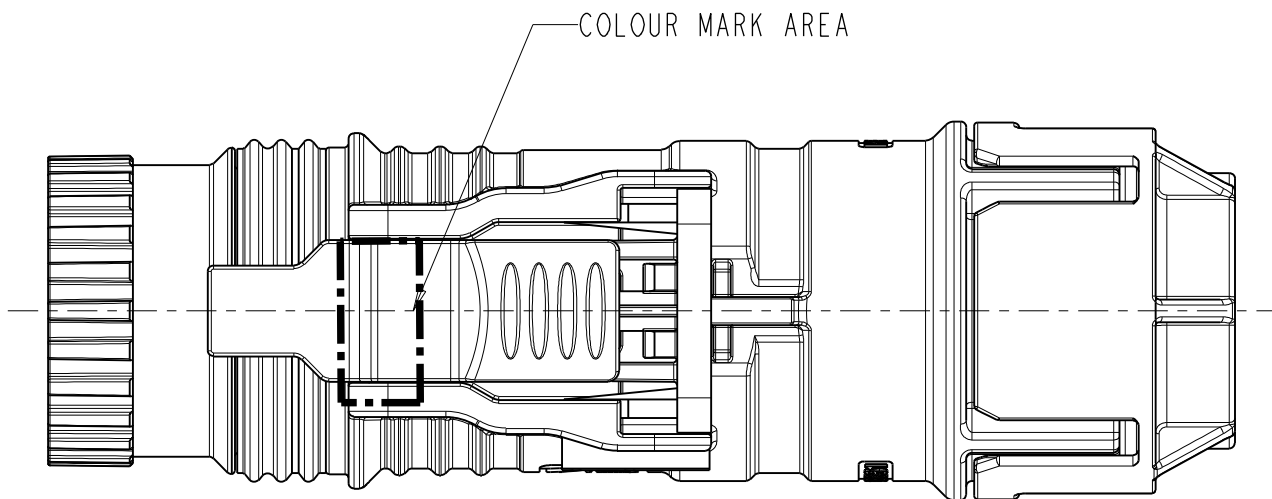
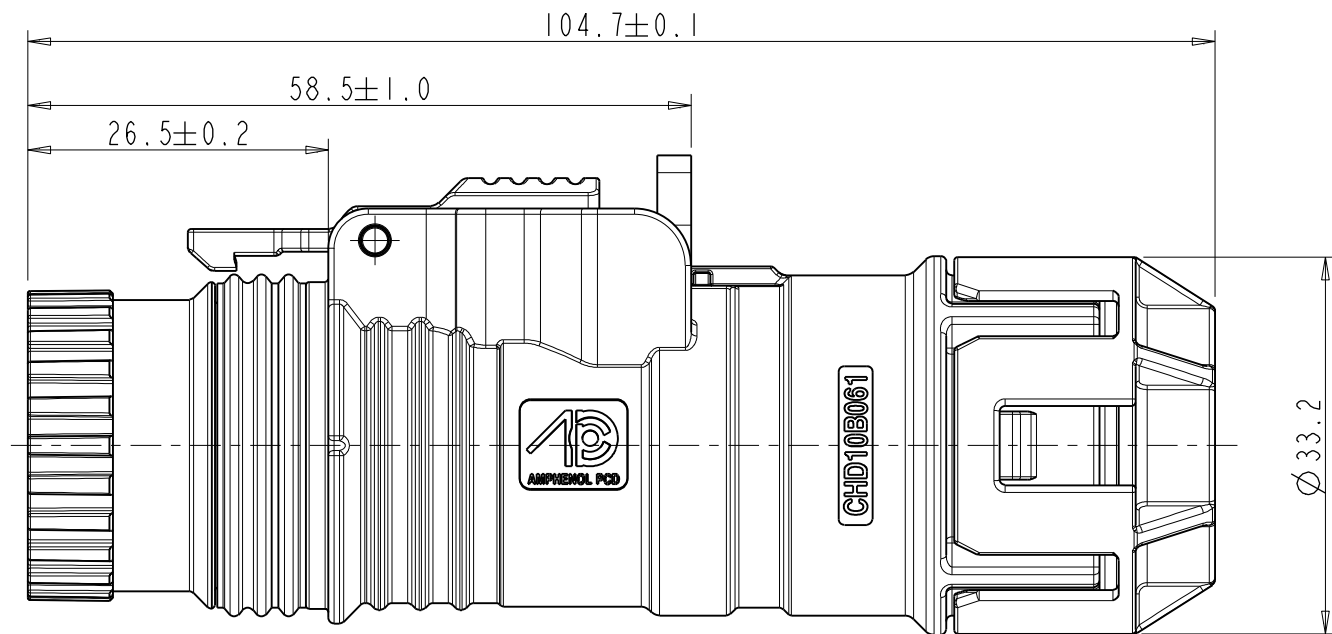
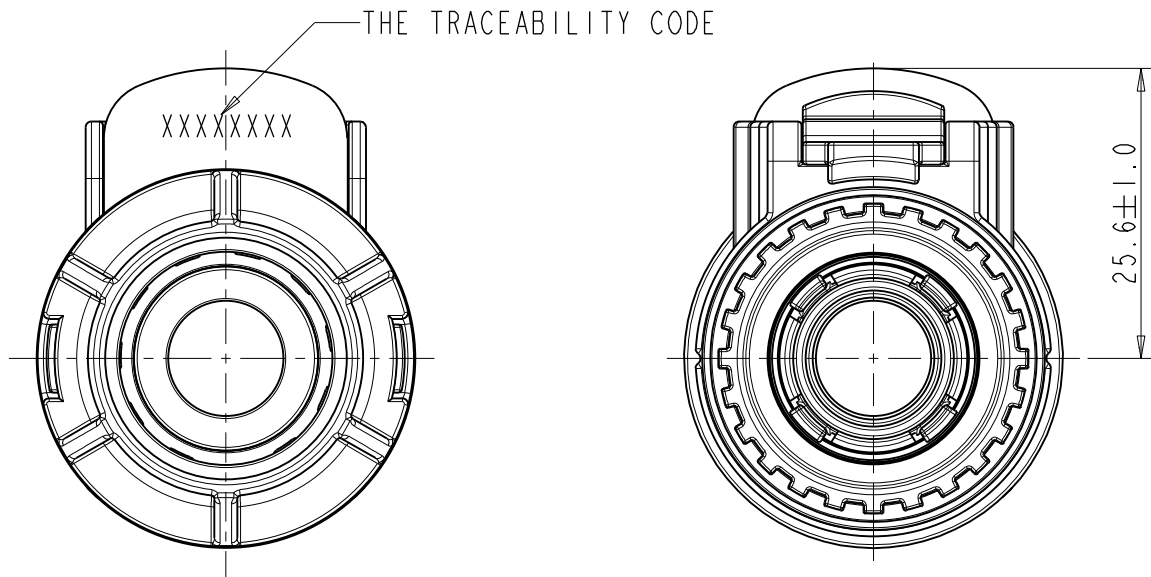


Amphenol PCDSZ
ORIGINAL
PDF Format
R&D

安费诺精密连接器(深圳)有限公司
Amphenol PCD Shenzhen
受控文件
2025年11月18日

C-CHD10B061X107

REV	ECN	DESCRIPTION	DATE	MODIFIED
1		PRE- RELEASE	Nov-13-25	



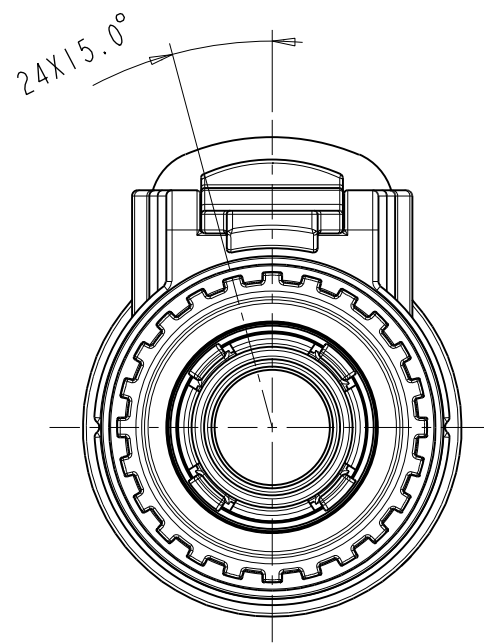
C-CHD10B061X107

C-CHD10B061X107

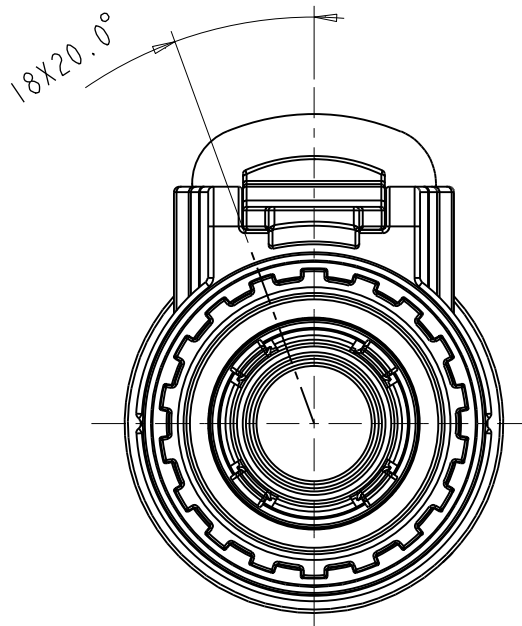
TECHNICAL DATA		
CURRENT RATE (95MM ² SHIELD CABLE)	330A @ AMBIENT 70°C	+
RATING VOLTAGE (OVERVOLTAGE CATEGORY III POLLUTION DEGREE 2)	1500V DC	+
OPERATING TEMPERATURE	-40 TO 125°C	
DIELECTRIC WITHSTANDING VOLTAGE	POWER 4000V AC(RMS)	+
	HVIL 660V AC(RMS)	
INSULATION RESISTANCE	200MΩ MIN. @25°C (NO CABLE)	+
DURABILITY	50 CYCLES	⊙
SHIELDING	YES	
WATERPROOF (MATED CONDITION)	IP67, IP6K9K	+
PROTECTION LEVEL (UNMATED)	IP2XB	+
AMBIENT TEMPERATURE	-40 TO 70°C	
RoHS & REACH	YES	+
NEUTRAL SALT SPRAY	720H	

DIMENSIONS	TOLERANCES	PROJECTION	TITLE			
ANSI Y14.5M	.X ±0.5		STRAIGHT PLUG ASSEMBLY			
UNITS: MM	.XX ±0.05					
Pro/E FILE	ANGLES ±2°		ENGR			
ORIGINAL	THIS DOCUMENT CONTAINS PROPRIETARY INFORMATION WHICH IS THE CONFIDENTIAL PROPERTY OF Amphenol PCD Shenzhen Co. Ltd Amphenol PCD Shenzhen Co. Ltd RESERVES THE RIGHT TO CLARIFY THIS DRAWING		CHKD	SIZE A3	DWG NO. C-CHD10B061X107	REV 1
			APPD	SCALE: 3:2		SHEET 1 OF 3

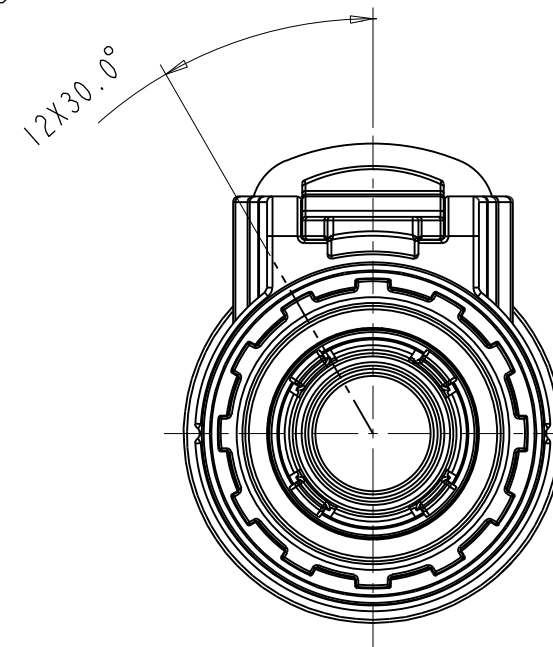
KEY A



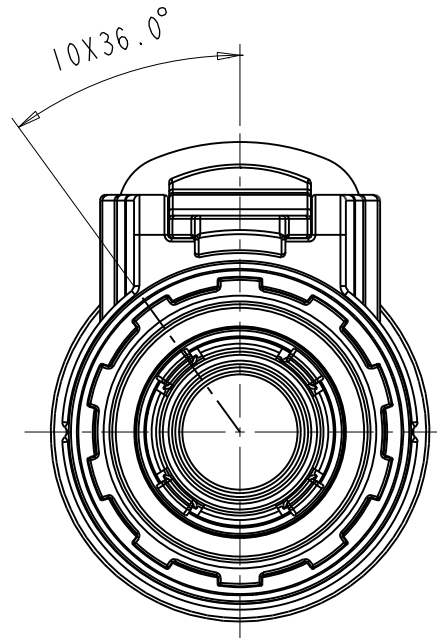
KEY B



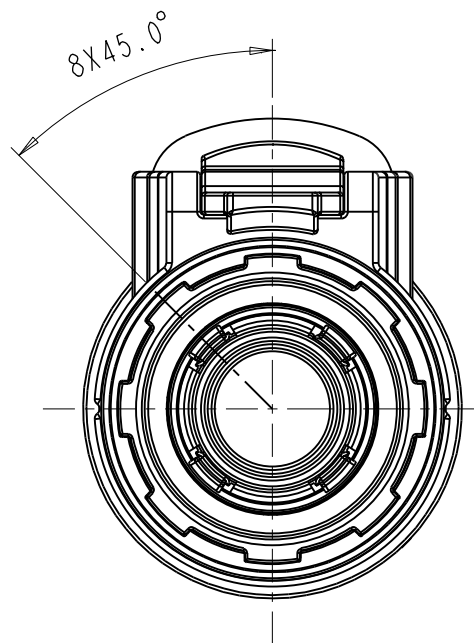
KEY C



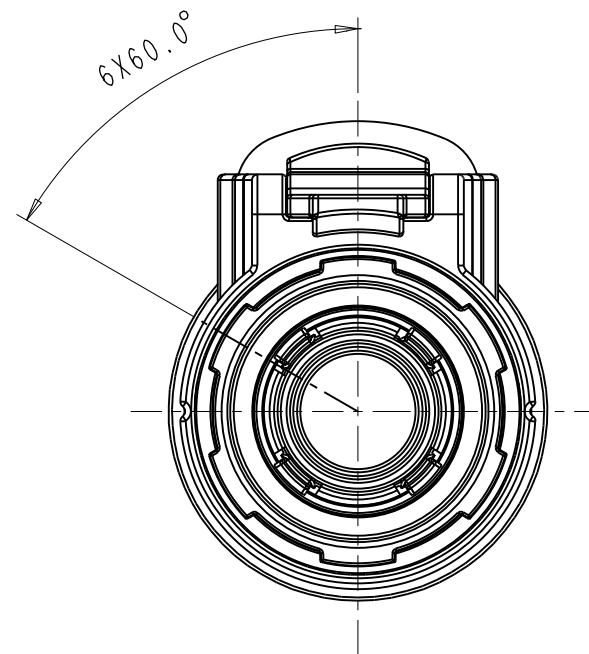
KEY D



KEY E



KEY F

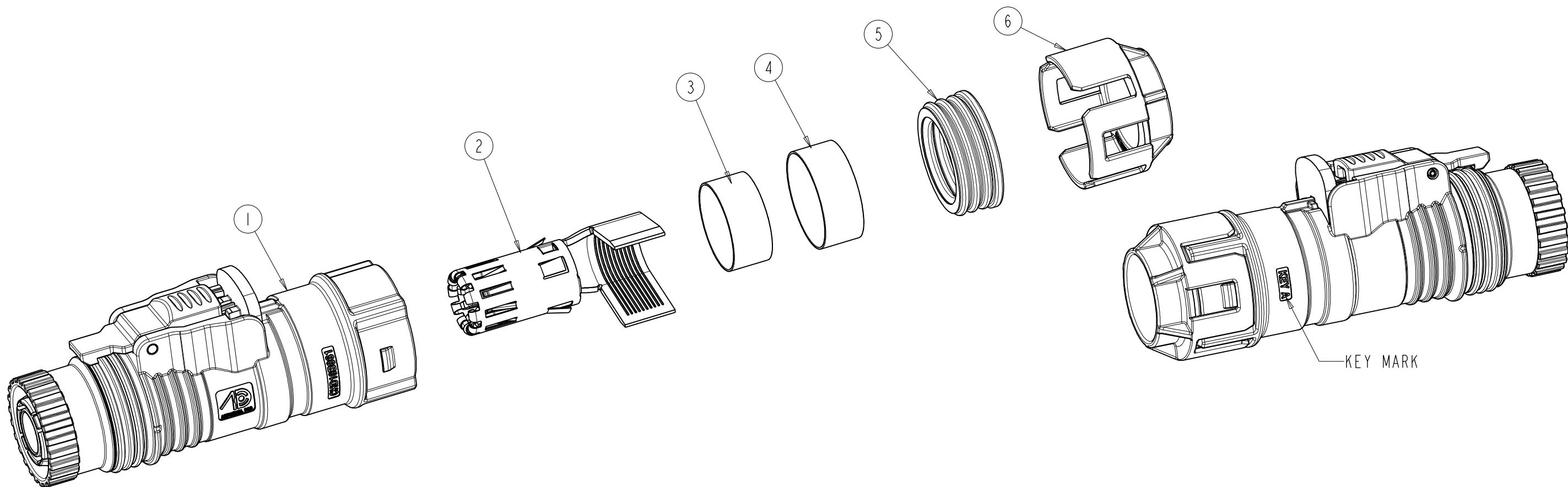


安费诺精密连接器(深圳)有限公司
Amphenol PCD Shenzhen

受 控 文 件

2025年11月18日

SIZE	DWG NO.	REV
A3	C-CHD10B061X107	1
SCALE: 3:2		SHEET 2 OF 3



CHD10B061 X 1 07

KEY & COLOR CODE:

TABLE 1		
CODE	KEY & COLOUR MARK	I#
A	KEY A & RED	P02B00111401
B	KEY B & BLACK	P02B00111402
C	KEY C & YELLOW	P02B00111403
D	KEY D & GREEN	P02B00111404
E	KEY E & BLUE	P02B00111405
F	KEY F & PURPLE	P02B00111406

INTERLOCK CODE:

CODE	DESCRIPTION
I	WITH HVIL

CABLE SIZE OPTION:
07: 95mm² CABLE (LV216) OD =20.9+0/-0.8

6	P01BP0162801	END CAP	1
5	P01BR01375	SEAL	1
4	P01BM03220	OUTER RING	1
3	P01BM03221	INNER RING	1
2	P01BS0037103	95mm ² POWER PIN(PURCHASE SEPARATELY)	1
1	SEE TABLE 1	MAIN BODY WITH HVIL	1
ITEM	COMPONENT P/N	DESCRIPTION	Q'TY

安费诺精密连接器(深圳)有限公司
Amphenol PCD Shenzhen

受控文件

2025年11月18日

SIZE	DWG NO.	REV
A3	C-CHD10B061X107	1
SCALE: 1:1		SHEET 3 OF 3