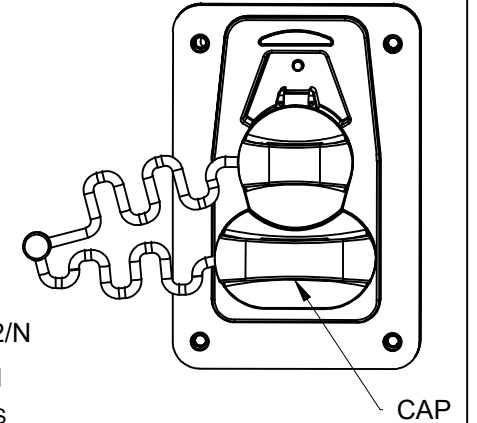
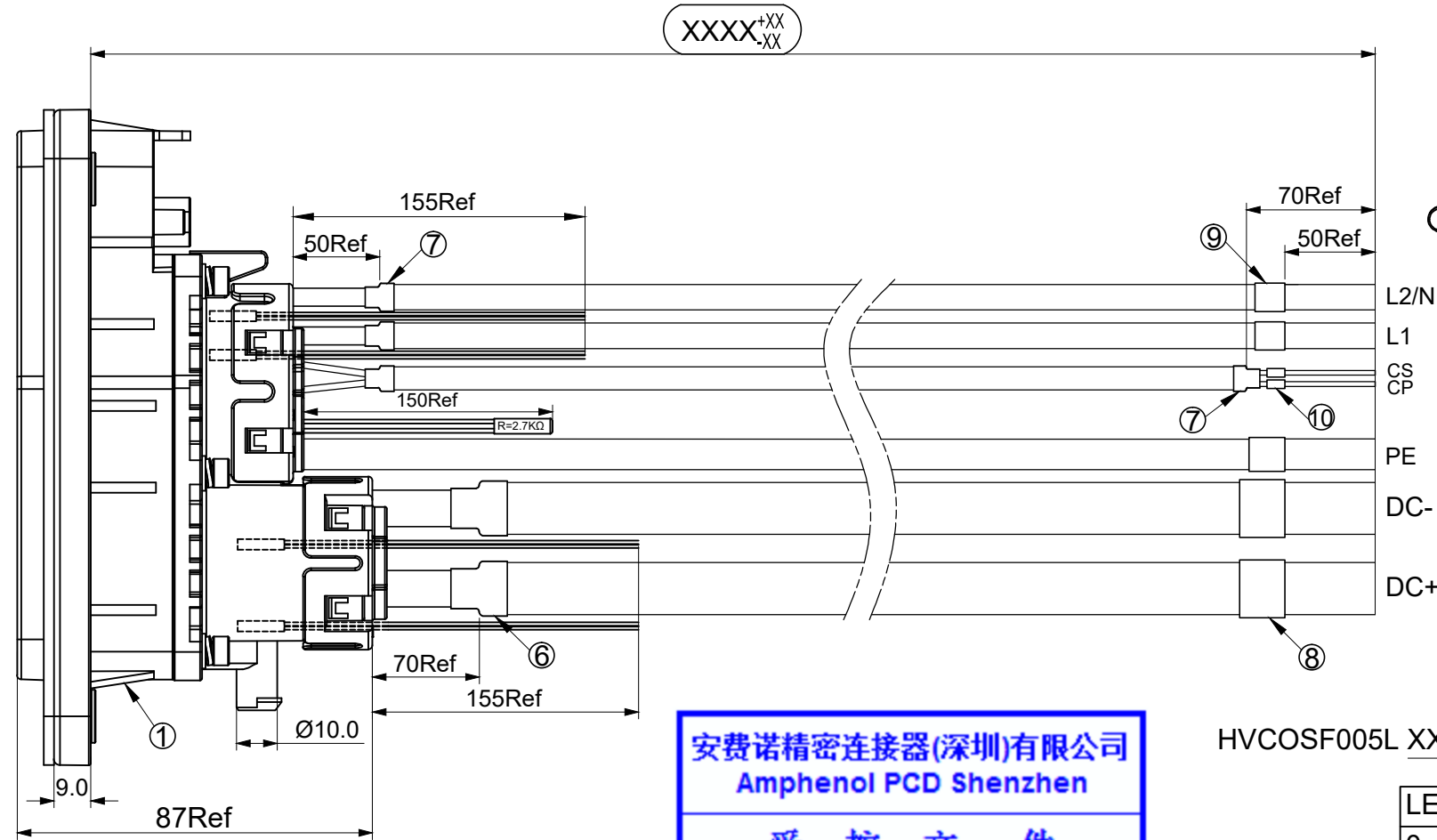
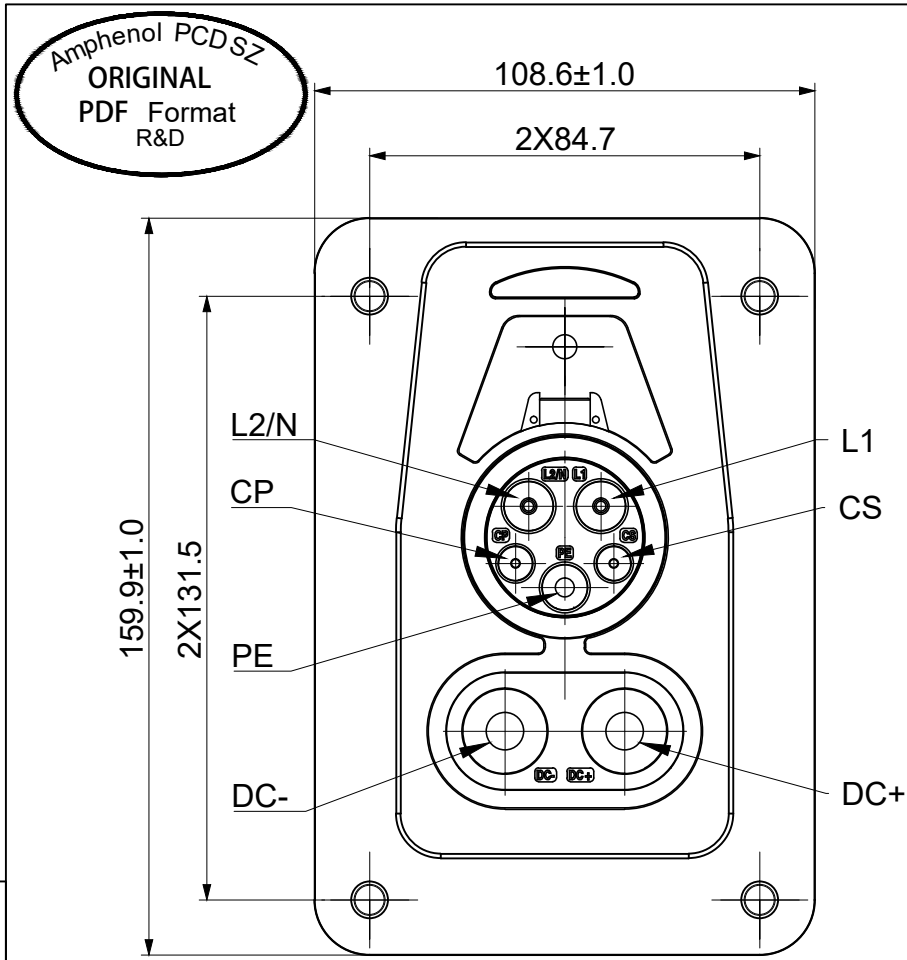


2	UPDATE AC Rated Voltage/Laser Marking	2021.03.09	Max.Ma	REV	ECN	DESCRIPTION	DATE	MODIFIED
				1		PRE-RELEASE	2020.04.07	



XXXX^{+XX}_{-XX}

安费诺精密连接器(深圳)有限公司
Amphenol PCD Shenzhen
受控文件
2021年7月20日

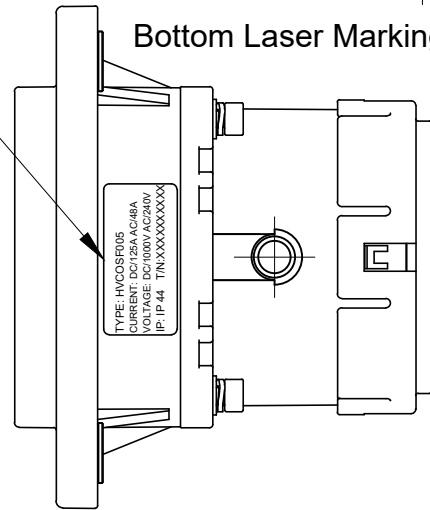
HVCOSF005L XXXX

LENGTH	TOLERANCE
0~1000mm	+25 -10
1001~5000mm	+40 -10
>5000mm	+50 -20

Laser Marking (Scale 3:1)

TYPE: HVCOSF005
CURRENT: DC/125A AC/48A
VOLTAGE: DC/1000V AC/240V
IP: IP 44 T/N:XXXXXXXXXX

Bottom Laser Marking



CABLE CONNECT METHOD



*Notes:

- 1.Cable assembly data:
- Rated Voltage&Rated Current:
DC+:1000V DC, 125A Max;
DC-: 1000V DC, 125A Max;
PE: 25mm² GROUND;
- L1&L2/N:240V AC, 48A Max;
CS:30V DC 2A;
CP:30V DC 2A;
- Insulation Resistance:100MΩ Min(DC 1000V /DC+&DC-);
Insulation Resistance:100MΩ Min(DC 500V /L1&L2/N&CP);
Withstand Voltage:3000V/AC r.m.s(DC+&DC-);
Withstand Voltage:2000V/AC r.m.s(L1&L2/N);
Withstand Voltage:500V/AC r.m.s(CP);
IP-Class(mated): IP44(SAE COMBO PLUG);
Durability:10000 cycles(SAE COMBO PLUG);
RoHS Compliance;
- Ambient Temperature: -30°C ~ +50°C;
- 2.Reference:C-HVCOSF005
Comply with IEC62196-2&3; UL2251 ; J1772

ITEM	NAME	DESCRIPTION	QTY	UNIT
⑩	LABLE	H.S.T Ø 3.2mm WHITE LABLE	0.05	m
⑨	LABLE	H.S.T Ø 12mm WHITE LABLE	0.1	m
⑧	LABLE	H.S.T Ø 16mm WHITE LABLE	0.1	m
⑦	H.S.T	DOUBLE-WALL H.S.T: Ø9 BLACK	0.1	m
⑥	H.S.T	DOUBLE-WALL H.S.T: Ø16 BLACK	0.1	m
⑤	CABLE	1C*10mm ² SHIELDING ORANGE ID=5.8±0.2,OD=8.6±0.2	AR	m
④	CABLE	2C*0.75mm ² SHIELDING ORANGE OD=6.7±0.3,ID=2.3±0.15	AR	m
③	CABLE	1C*25mm ² UNSHIELDING YELLOW/GREEN OD=9.3±0.2	AR	m
②	CABLE	1C*35mm ² SHIELDING ORANGE OD=14.1±0.3,ID=10.2±0.4	AR	m
①	CONNECTOR	HVCOSF005,125A/DC,48A/AC,BLACK,WITH CAP,NO LED	1	EA

DIMENSIONS	TOLERANCES	PROJECTION	TITLE	
ANSI Y14.5M	.X ± 0.5		Amphenol PCD Shenzhen	
UNITS: MM	.XX ± 0.05		CCS1 Vehicle INLET	
CAD FILE	ANGLES ± 2.0'		DC1000V/125A; AC240V/48A ;NO LED	
			Cable assembly	
ORIGINAL	THIS DOCUMENT CONTAINS PROPRIETARY INFORMATION WHICH IS THE CONFIDENTIAL PROPERTY OF Amphenol PCD Shenzhen Co. Ltd Amphenol PCD Shenzhen Co. Ltd RESERVES THE RIGHT TO CLARIFY THIS DRAWING		CHKD	2020.04.07
			APPD	
			SIZE	DWG NO.
			A3	C-HVCOSF005LXXXX
			REV	2
			CODE: 58982	SCALE
			SHEET	1 OF 1

C-HVCOSF005LXXXX

C-HVCOSF005LXXXX