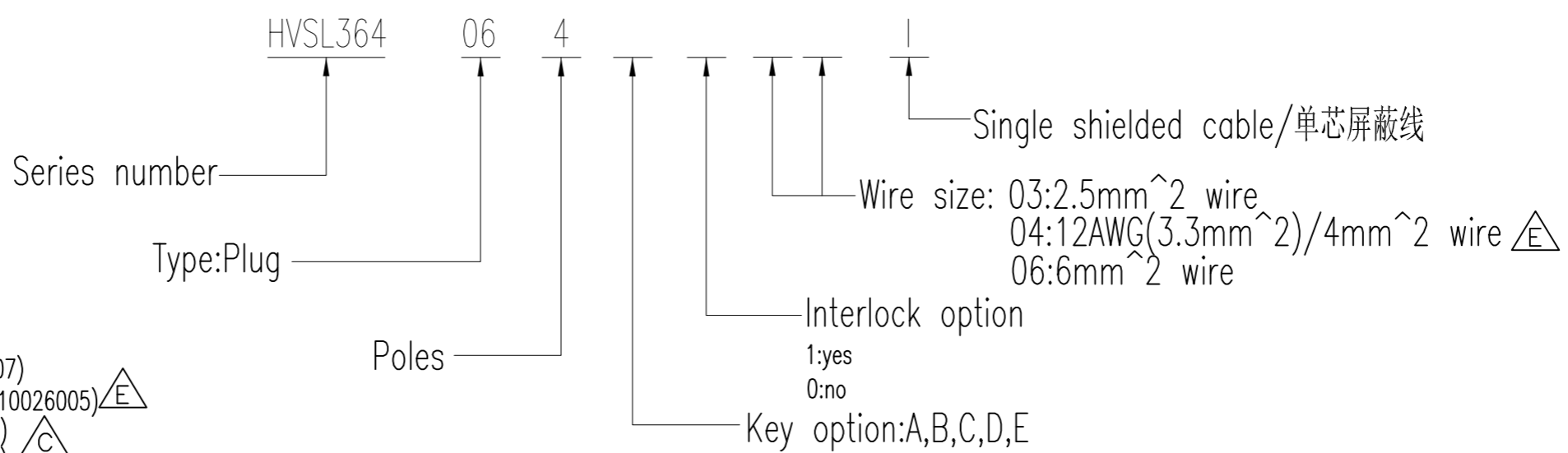
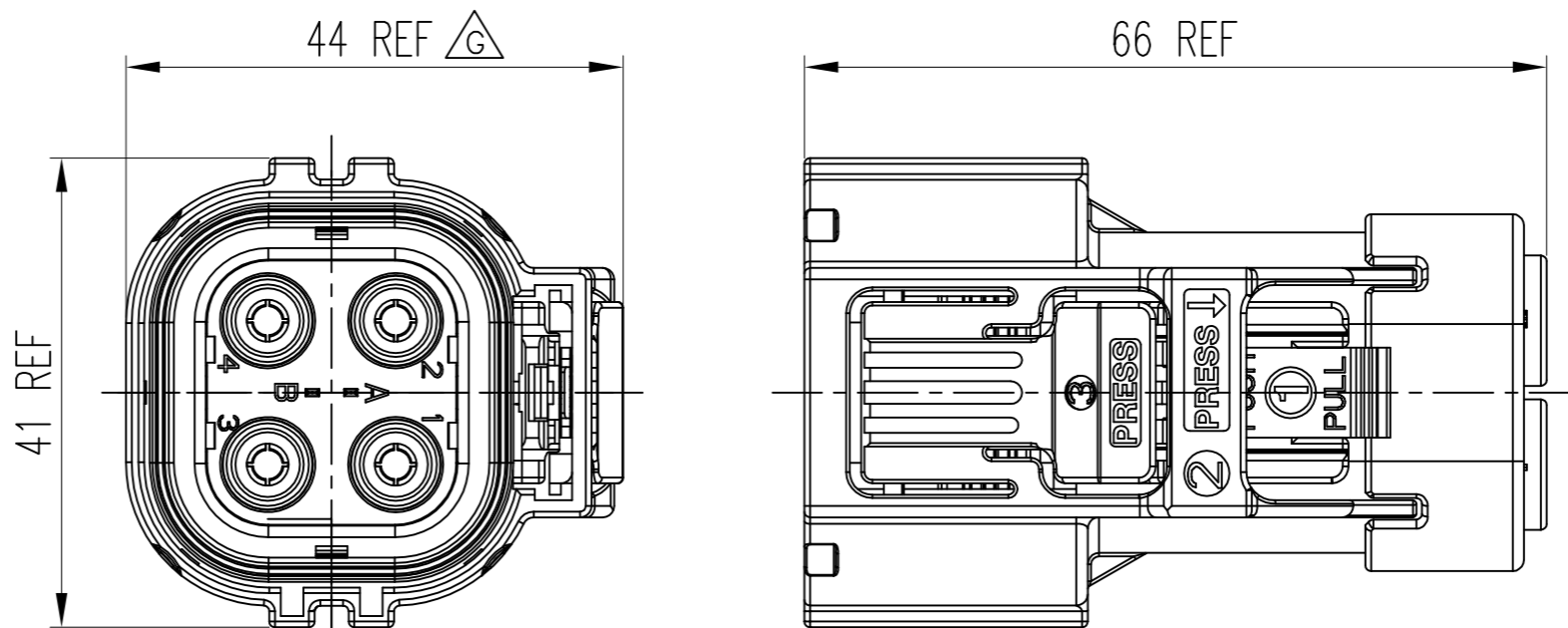


Amphenol PCD SZ
ORIGINAL
PDF Format

PART NUMBERING SCHEME



Material
Housing: PA66 UL94-V0
Contacts: Copper alloy, Tin or Ag plated
Shield: Copper alloy, Tin plated
Seal: Silicone
Ferrule: Copper alloy, Tin plated
* Rated Current:
20A (2.5mm² cable-stamping power contact C310026007)
25A (12AWG/3.3mm² cable-stamping power contact C310026005) ^E
32A (4mm² cable-stamping power contact C310026005) ^C
40A (6mm² cable-stamping power contact C310026001)
46A (6mm² cable-machined power contact C200012102)
APPLICATION: POLLUTION DEGREE II
OVERVOLTAGE CATEGORY II
INHOMOGENEOUS FIELD ^E
ALTITUDE NO MORE THAN 2000M
★ IS CRITICAL CHARACTERISTIC SYMBOL ^B
◎ IS IMPORTANT CHARACTERISTIC SYMBOL



*NOTES:
1. HVSL364064XXXXI shown in this sheet
2. Recommend OD of shielded wire for power contact (屏蔽线护套直径):
2.5mm² wire: $\phi 4.20\text{mm} - \phi 4.60\text{mm}$
12AWG (3.3mm²), 4mm² wire: $\phi 5.20\text{mm} - \phi 5.70\text{mm}$
6mm² wire: $\phi 6.10\text{mm} - \phi 6.50\text{mm}$
3. Contact should be ordered separately / 端子需要根据使用的电流和线径单独购买
Stamping Power contact: 2.5mm²: C310026007, 12AWG (3.3mm²), 4mm²: C310026005, 6mm²: C310026001, Use level: 4pcs
Machined power contact: C200012102 (6mm²); Use level: 4pcs
4. if use less than 4 circuits, user can adopt seal stopper for populate, P/N is P03BP00068, One hole use one stopper
如果客户使用少于4芯可以用防水塞堵住, 防水塞料号为P03BP00068, 堵一芯用1pc ^E

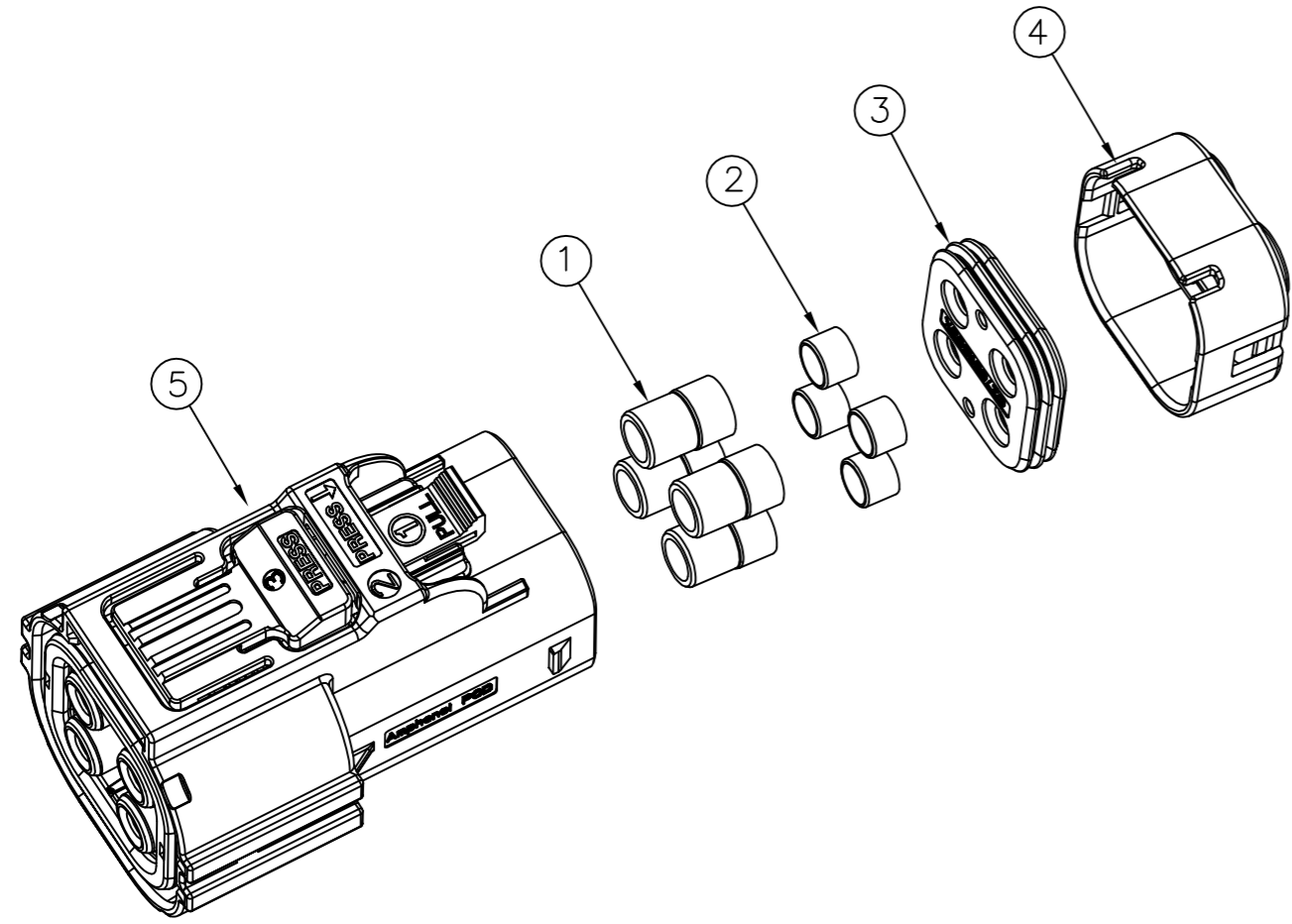
+5. ROHS COMPLIANCE

TECHINCAL DATA		SPECIAL CHARACTERISTICS SYMBOL
VOLTAGE RATING	1000V AC&DC	★
WITHSTAND VOLTAGE	3000V AC	★
INSULATION RESISTANCE	>100M Ω	★
CURRENT RATING	SIGNAL CONTACT 5A	★
	POWER CONTACT SEE *	
WATER PRROF (MATED CONDITION)	IP67	★
IP FOR FINGER TOUCH (UNMATED CONDITION)	IP2XB	★
SHIELDING FUNCTION	YES	NA
MAX MATING CYCLES	50 TIMES	◎
OPERATION TEMP.	-40-125°C	NA
WIRE RANGE	2.5-6mm ²	NA

DIMENSIONS	TOLERANCES	PROJECTION	TITLE		
ANSI Y14.5M UNITS: MM CAD FILE	.X ± 0.5 .XX ± 0.05 ANGLES $\pm 2'$		Amphenol Pcd Shenzhen		
ORIGINAL	THIS DOCUMENT CONTAINS PROPRIETARY INFORMATION WHICH IS THE CONFIDENTIAL PROPERTY OF AMPHENOL PCD SHENZHEN		HVSL364 4P PLUG		
			CHKD	SIZE A3	DWG NO. C-HVSL364064XXXXI
			ENGR	APPD	SCALE 3:2
					SHEET 1 OF 3

C-HVSL364064XXXXI

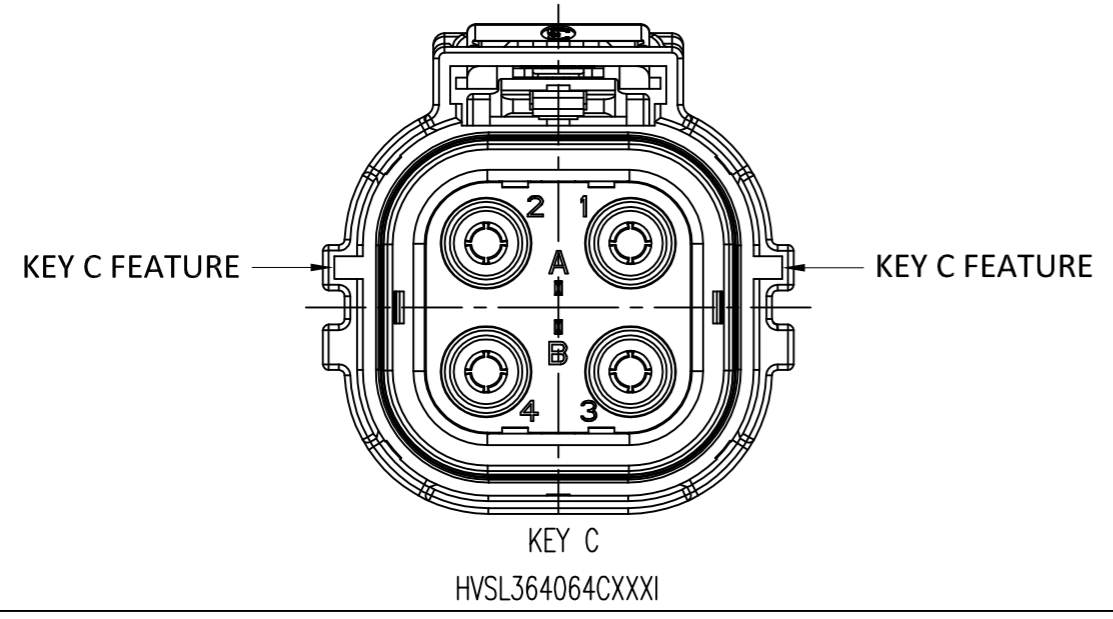
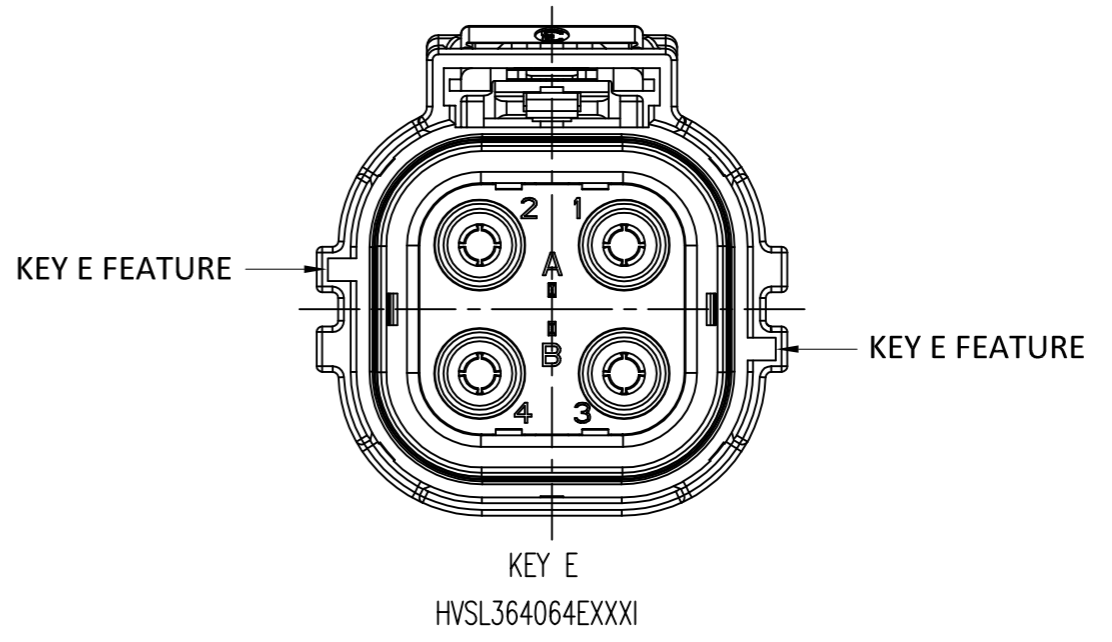
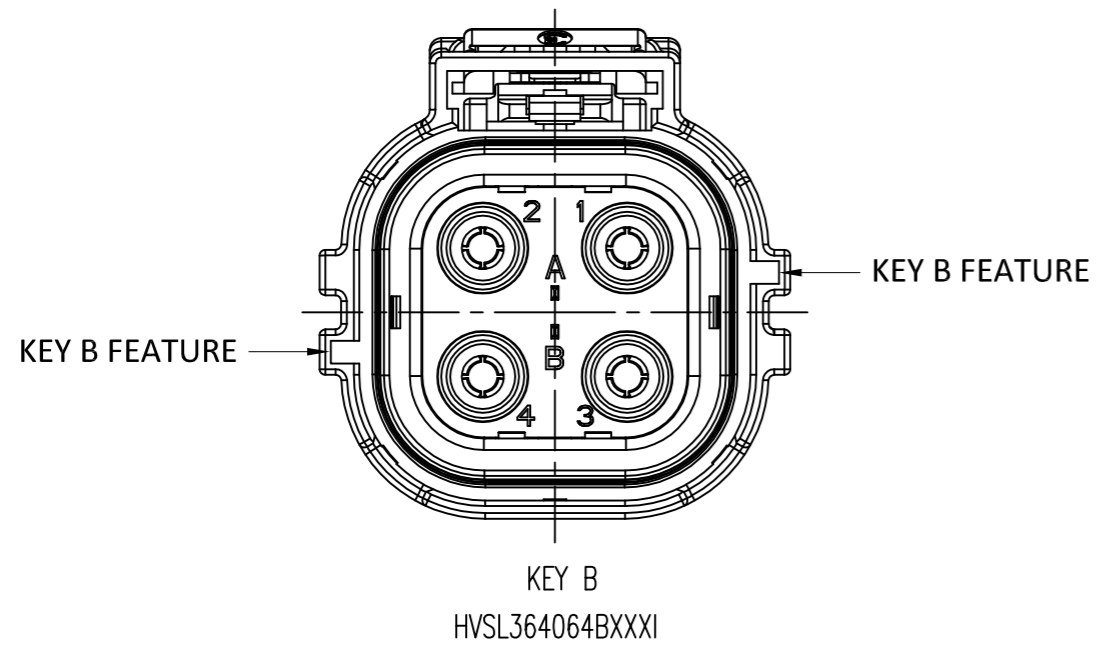
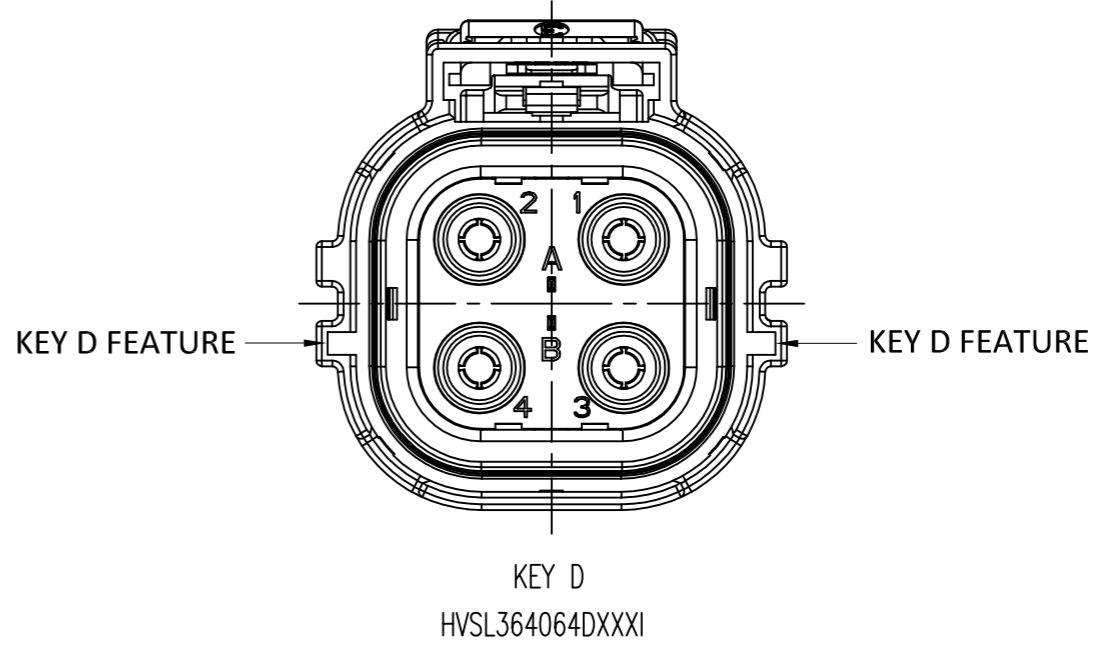
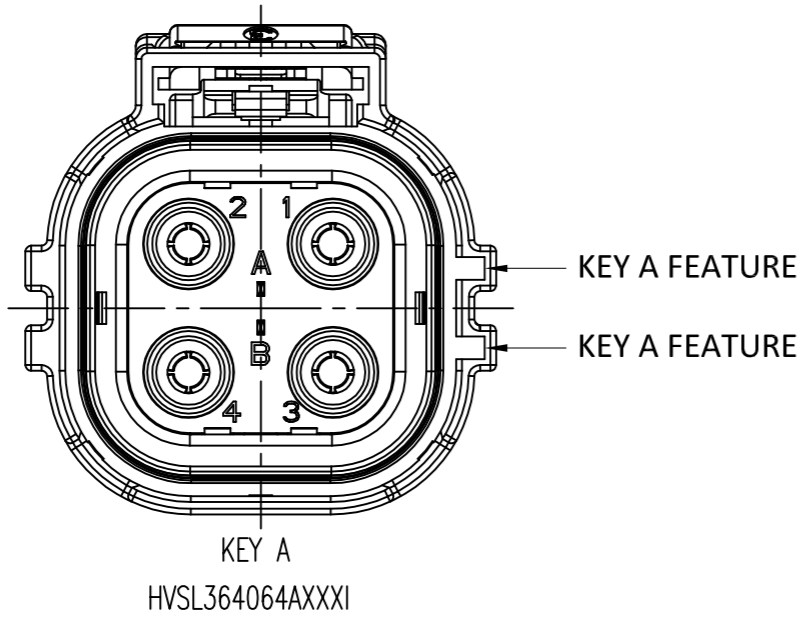
C-HVSL364064XXXXI



ITEM	Diagram	Wire size	PART NUMBER	DIM "d1"(mm)
		ITEM1		2.5mm ² 12AWG(3.3mm ²) 4mm ²
ITEM2		2.5mm ² 12AWG(3.3mm ²) 4mm ²	P03BM00250 P03BS00024 C4200011202	4.90mm 5.90mm 6.55mm
		2.5mm ² 12AWG(3.3mm ²) 4mm ²	P03BM00250 P03BS00024 C4200011202	4.90mm 5.90mm 6.55mm
		6mm ²	C4200011202	6.55mm
ITEM3		2.5mm ² 12AWG(3.3mm ²) 4mm ²	C42700116031 C42700116032 C42700116033	3.20mm 4.00mm 5.20mm
		2.5mm ² 12AWG(3.3mm ²) 4mm ²	C42700116031 C42700116032 C42700116033	3.20mm 4.00mm 5.20mm
		6mm ²	C42700116033	5.20mm
ITEM4		2.5mm ² 12AWG(3.3mm ²) 4mm ²	C42200117081 C42200117082 C42200117083	5.70mm 6.30mm 7.30mm
		2.5mm ² 12AWG(3.3mm ²) 4mm ²	C42200117081 C42200117082 C42200117083	5.70mm 6.30mm 7.30mm
		6mm ²	C42200117083	7.30mm
ITEM5		PART NUMBER		
		HVSL364064XY (X=A,B,C,D,E;Y=0,1)		

Assembly P/N	ITEM	COMPONENT P/N	QTY	REMARKS
HVSL364064XX03I	5	HVSL36406XY(X=A,B,C,D,E;Y=0,1)	1	2.50mm ² SHIELD CABLE OD=φ4.20-φ4.60
	4	C42200117081	1	
	3	C42700116031	1	
	2	P03BM00250	4	
	1	C4200011603	4	
HVSL364064XX04I	5	HVSL36406XY(X=A,B,C,D,E;Y=0,1)	1	12AWG(3.3mm ²) 4mm ² SHIELD CABLE OD=φ5.20-φ5.70
	4	C42200117082	1	
	3	C42700116032	1	
	2	P03BS00024	4	
	1	C4200011603	4	
HVSL364064XX06I	5	HVSL36406XY(X=A,B,C,D,E;Y=0,1)	1	6mm ² SHIELD CABLE OD=φ6.10-φ6.50
	4	C42200117083	1	
	3	C42700116033	1	
	2	C4200011202	4	
	1	C4200011603	4	

SIZE A3	DWG NO. C-HVSL364064XXXXXI	REV G
CODE:	SCALE 2:3	SHEET 2 OF 3



C-HVSL364064XXXXI

C-HVSL364064XXXXI

SIZE A3	DWG NO. C-HVSL364064XXXXI	REV G
CODE:	SCALE 3:2	SHEET 3 OF 3