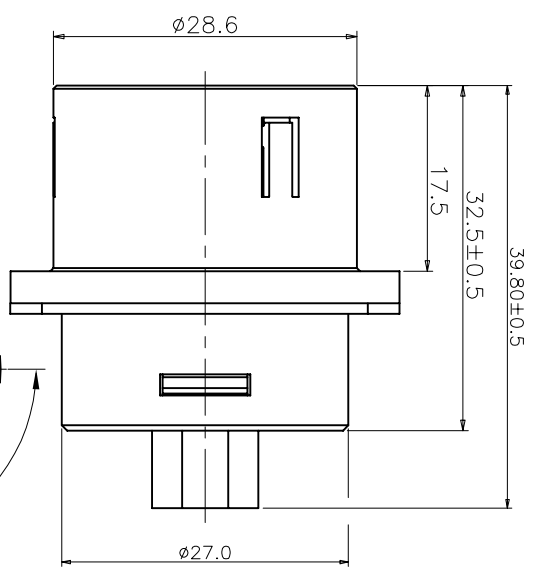
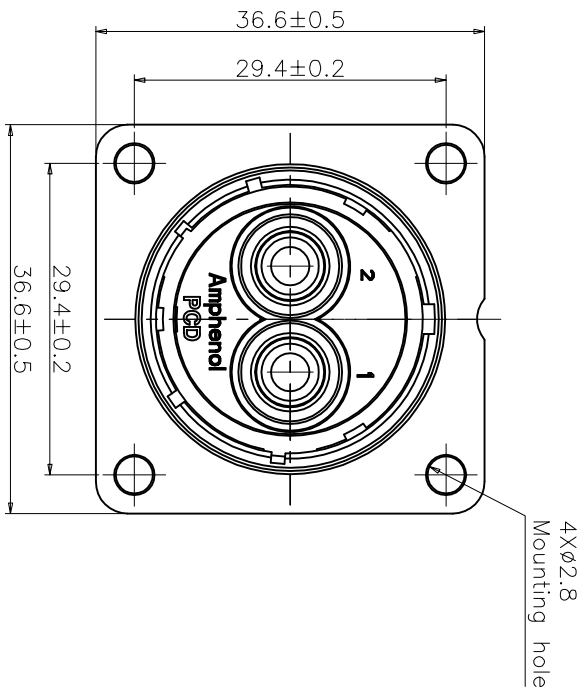
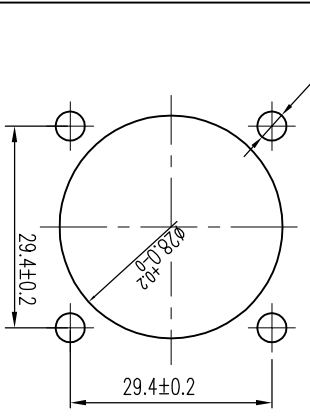


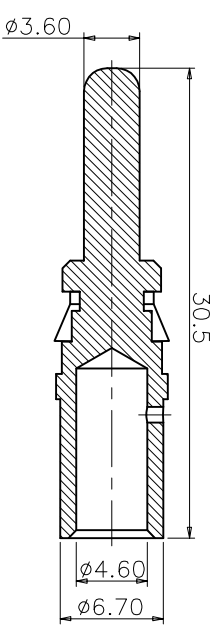
建议安装开孔尺寸



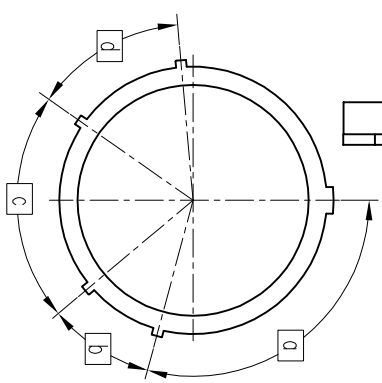
***Notes:**
 Material \ Finish(材质/表面处理)
 Insert : Thermoplastics UL94-V0
 Contact : 2x #8Pin contacts (8~10mm²)
 铜合金/ 电镀银合金

Mechanical data (机械参数):
 Work Temperature: -40°C to +70°C
 工作温度: -40°C ~ +70°C
 IP-Class (防护等级): IP67
 Durability (机械寿命): 500 cycles

Electrical data:
 Test Voltage (耐压) (Vac ms): 3600V
 Rated Voltage (额定电压) (Vac ms): 800V
 Rated Current (额定电流): 45A
 Insulation Resistance (绝缘电阻): 5000 MΩ Min
 Contact Resistance (接触电阻): less than 0.9 milliohms



Detail for contact(插针细节):
 Crimping(压接范围): 8~10mm²
 Surface(表面处理): Silver plated (镀银)
 Contact P/N(插针料号): C420027004



键位排布示意图

XCEL-3A-18-02-PC-B	95.0°	35.0°	75.0°	50.0°
XCEL-3A-18-02-PC	105.0°	35.0°	75.0°	50.0°
P/N	a	b	c	d

DIMENSIONS ANSI Y14.5M UNITS: MM	TOLERANCES X ± 0.5 XX ± 0.10 ANGLES ± 0.5°	PROJECTION 	Amphenol Pcd Shenzhen		TITLE Connector Receptacle 1802
			CHKD	SIZE A3	
ORIGINAL FOR CUSTOMER DISTRIBUTION	THIS DOCUMENT CONTAINS PROPRIETARY INFORMATION WHICH IS THE CONFIDENTIAL PROPERTY OF AMPHENOL PCD SHENZHEN		APPD	SCALE 5:2	SHEET 1 OF 1