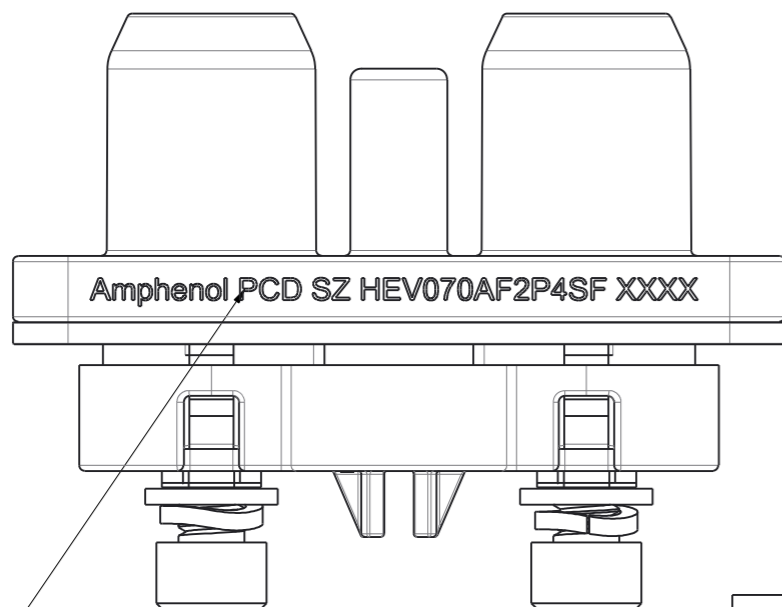
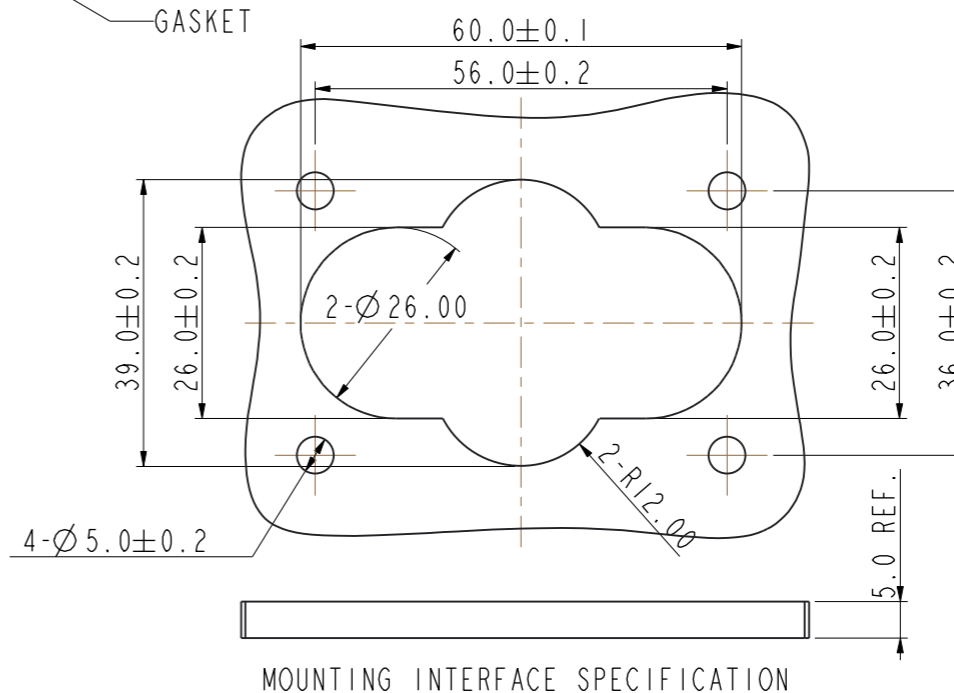
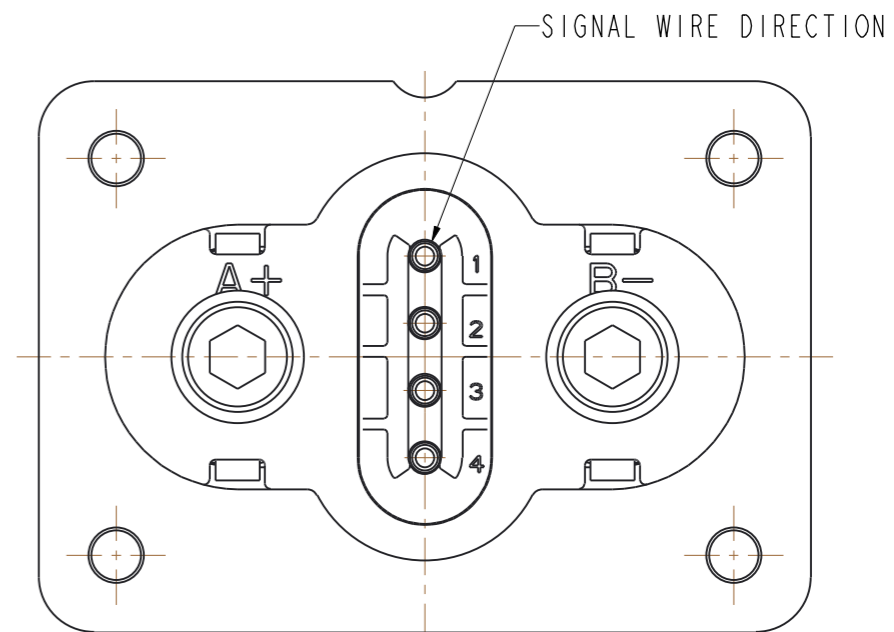
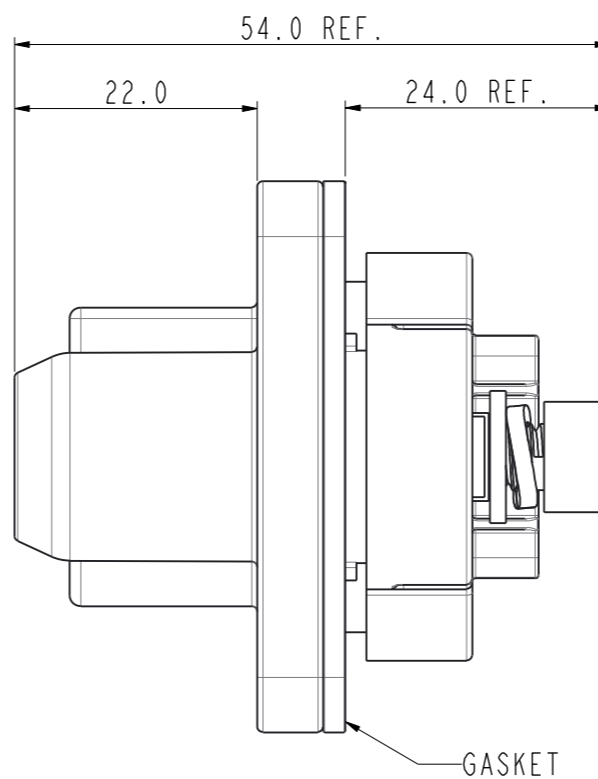
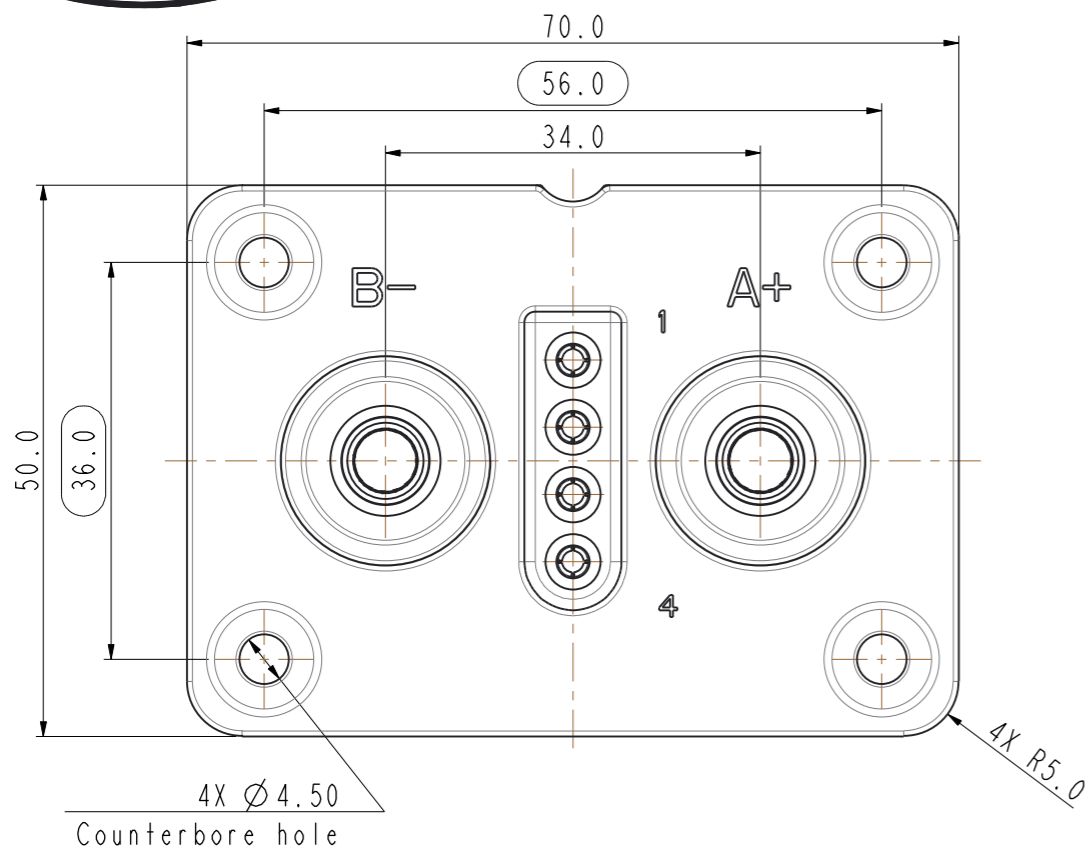


Amphenol PCDSZ  
ORIGINAL  
PDF Format  
R&D

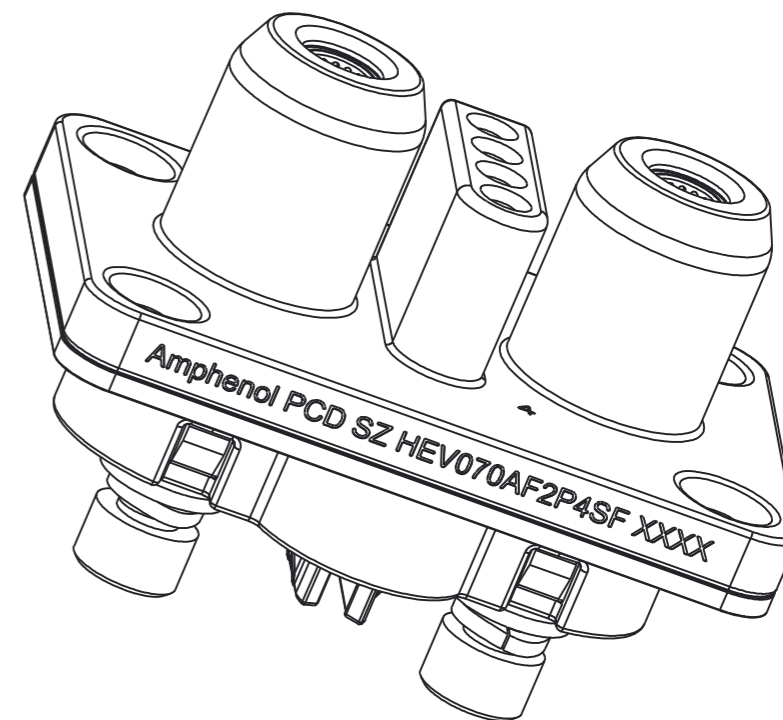
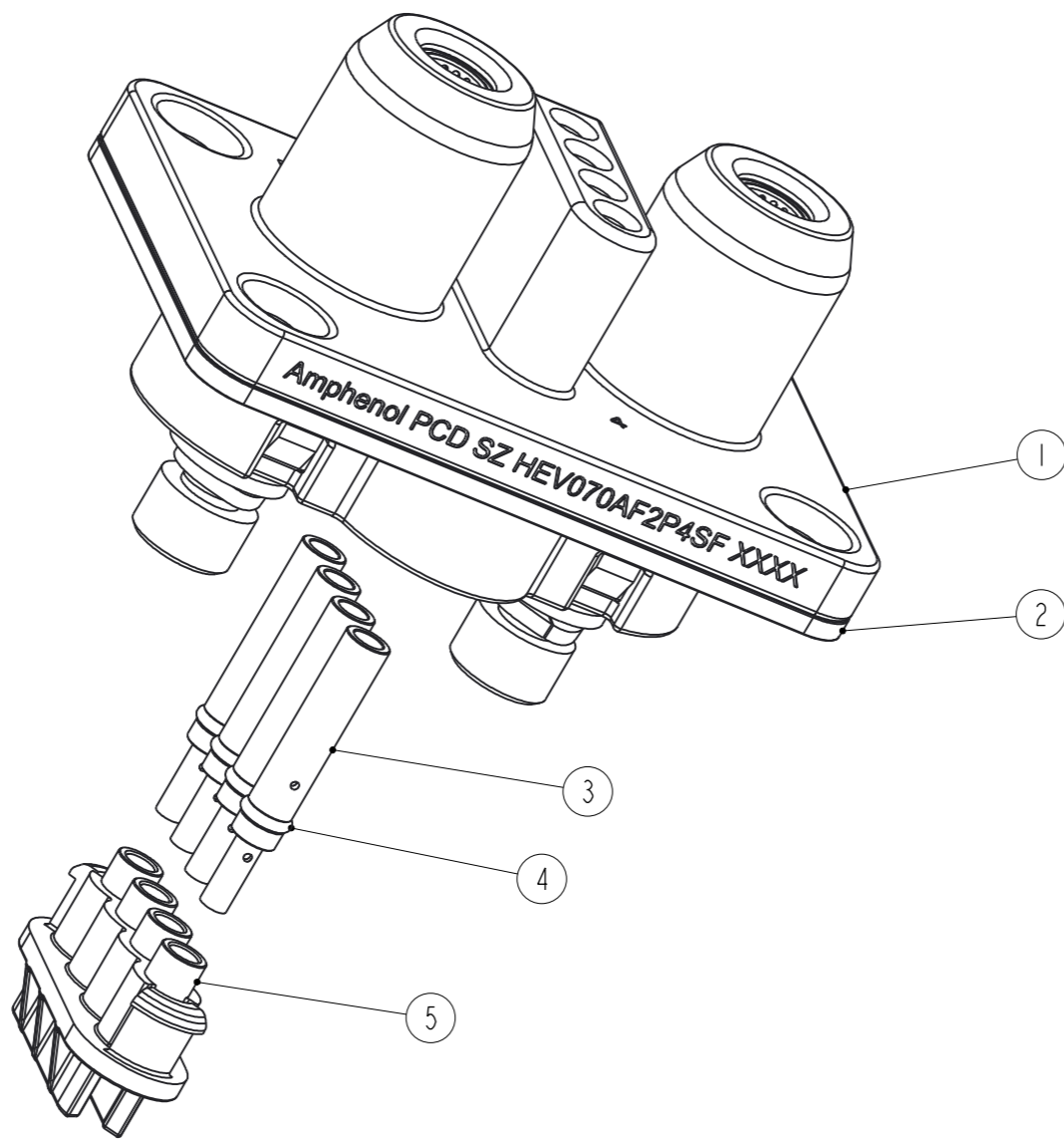


HEV070AF2P4SF

HEV070AF2P4SF

LASER PRINT CONTENT :  
Amphenol PCD SZ : "LOGO"  
HEV070AF2P4SF : PRODUCT P/N  
XXXX : PRODUCTION YEAR/WEEK, e.g.:1819

DIMENSIONS	TOLERANCES	PROJECTION	TITLE		
ANSI Y14.5M UNITS: MM Pro/E FILE	.X ±0.5 .XX ±0.20 ANGLES ±0.5°		HEV RECEPTACLE ASSY., 70A		
ORIGINAL	THIS DOCUMENT CONTAINS PROPRIETARY INFORMATION WHICH IS THE CONFIDENTIAL PROPERTY OF AMPHENOL PCD SHENZHEN	ENGR			
		CHKD APPD	CODE: 58982	SCALE:	SHEET 1 OF 2



HEV070AF2P4SF

HEV070AF2P4SF

NOTES:

1. Insertion and Extraction force: 200N Max.
2. Withstand Voltage: 1000VAC,  
Leakage current: 2mA@60S
3. Contact resistance:  $\leq 5m\Omega$
4. Temperature rise:  $\leq 50K$
5. Salt spray: 48H
6. Part 3, 4, 5 are shipped in loose.
7. Product Weight: 109g
8. RoHS Compliant.

TECHNICAL DATA		FEATURE
RATED VOLTAGE(POWER PIN)	65V DC	✦
RATED VOLTAGE(SIGNAL PIN)	12~24V DC	✦
RATED CURRENT(POWER PIN)	70A Max.	✦
RATED CURRENT(SIGNAL PIN)	13A Max.	✦
AMBIENT TEMPERATURE	-40°C~+75°C	
DIELECTRIC WITHSTANDING VOLTAGE	1000V AC	✦
INSULATION RESISTANCE	200M $\Omega$ .MIN.	✦
LIFE CYCLES	3000 CYCLES	◎

✦:Critical Feature

◎:Important Feature

QTY.	DESCRIPTION	Part Number	ITEM
1	RECEPTACLE COVER	C220006552	5
4	ORING	C270006513	4
4	SINGLE, SOCKET	C200006558	3
1	GASKET	C270006510	2
1	HEV CONNECTOR SUB-ASSEMBLY	N/A	1

SIZE <b>A3</b>	DWG NO. <b>HEV070AF2P4SF</b>	REV <b>A</b>
CODE: 58982	SCALE:	SHEET 2 OF 2