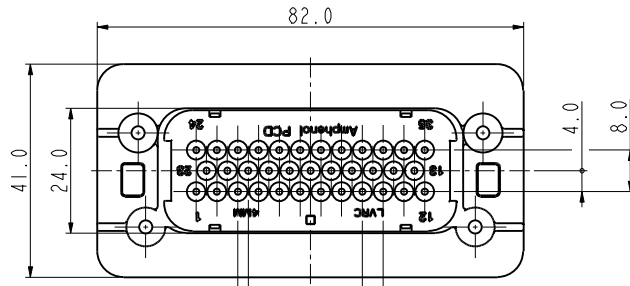
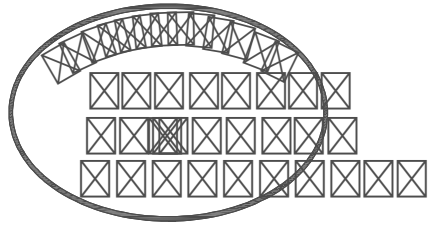
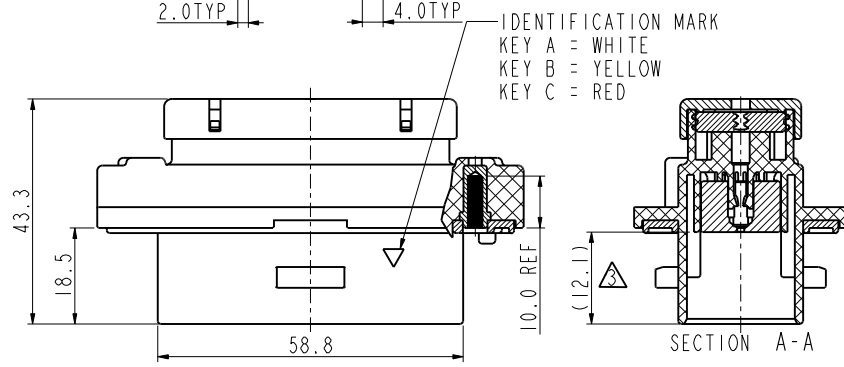
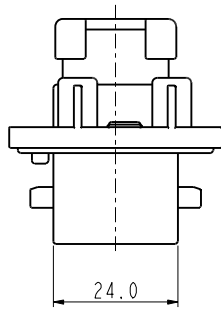
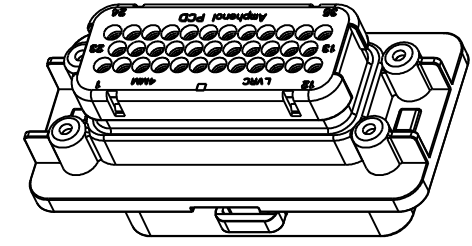


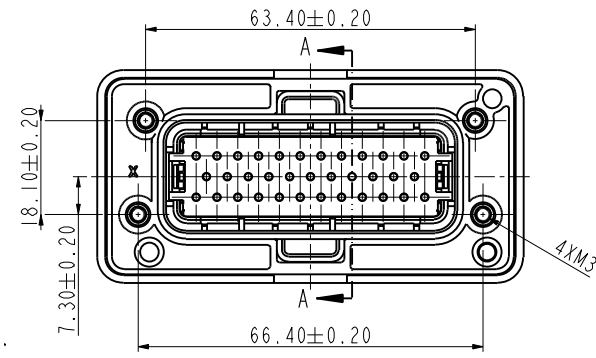
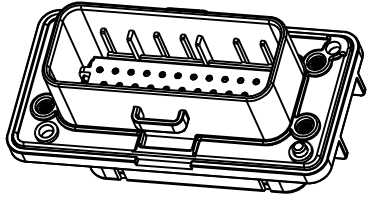
C-LVRCKM35SCRXS1



安费诺精密连接器(深圳)有限公司
Amphenol PCD Shenzhen
受控文件
2019年10月10日



✦: IS CRITICAL CHARACTERISTIC SYMBOL,
◎: IS IMPORTANT CHARACTERISTIC SYMBOL.



TECHINCAL DATA		SPECIAL CHARACTERISTICS SYMBOL
VOLTAGE RATING	250VAC / 300VDC	✦
CURRENT RATING	5A(22~18AWG)	✦
WIRE RANGE	22-18AWG WIRE INSULATION OD: 1.35-2.5MM	NA
WATERPROOF (MATED CONDITION)	IP 67	✦
OPERATION TEMP.	-40-125°	NA
MAX MATING CYCLES	50 TIMES	◎
M3 TORQUE FORCE	10 Kgf.cm	NA

- NOTES:
 ✦1. MATERIAL: HOUSING PA66 UL94 V-0, SEAL SILICONE.
 2. MATE CONTACT AND SEAL SEE BELOW TABLE, CONTACT AND SEAL SHOULD BE ORDERED SEPARATELY. MATE CONNECTOR P/N: LVRCKF35PCXS1.
 ⚠ THE GRAY HOUSING CANNOT BE INSERTED INTO SHELL DEEPER BEFORE INSTALL CONTACTS.
 ✦4. ROHS COMPLIANCE.

USED WITH CONTACT AND SEAL TYPE	
CONTACT P/N	SEAL P/N
C310023102	C220011207

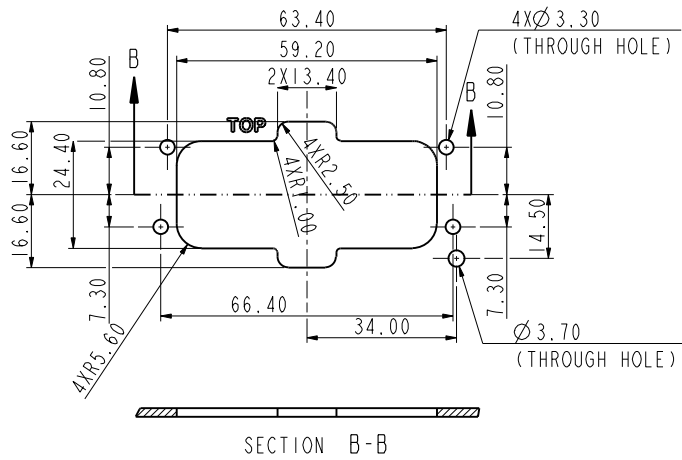
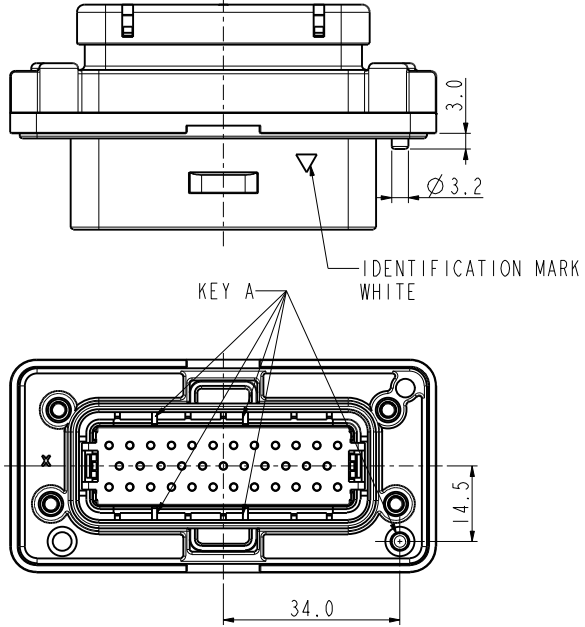
DIMENSIONS ANSI Y14.5M UNITS: MM Pro/E FILE	TOLERANCES .X ±0.5 .XX ±0.05 ANGLES ±2.0°	PROJECTION 	TITLE SOCKET OF 35 PIN CONNECTOR REAR MOUNTING STYLE		
			ENGR CHKD APPD	SIZE A3	DWG NO. C-LVRCKM35SCRXS1
ORIGINAL	THIS DOCUMENT CONTAINS PROPRIETARY INFORMATION WHICH IS THE CONFIDENTIAL PROPERTY OF AMPHENOL PCD SHENZHEN		CODE: 58982	SCALE: 1:1	SHEET 1 OF 2

C-LVRCKM35SCRXS1

C-LVRCKM35SCRXS1

C-LVRCKM35SCRXS1

LVRCKM35SCRAS1



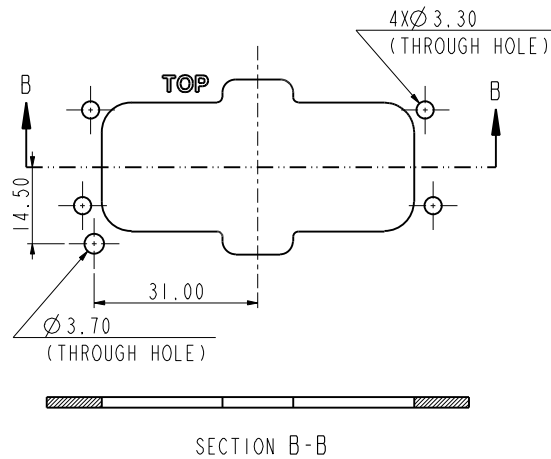
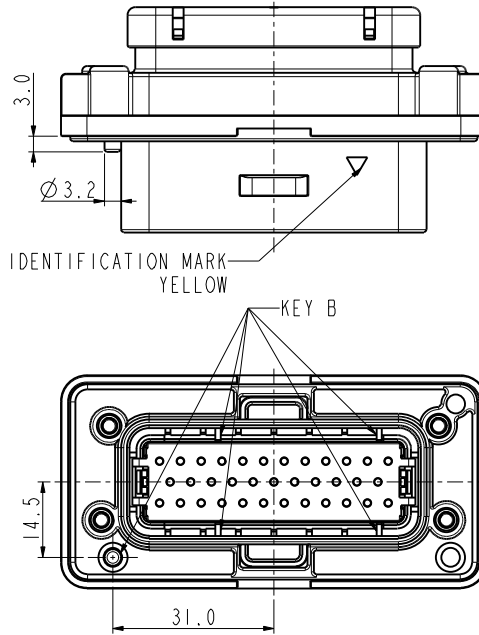
MOUNTING INTERFACE SPECIFICATION
1.5MM-5.5MM THICKNESS

安费诺精密连接器(深圳)有限公司
Amphenol PCD Shenzhen

受控文件

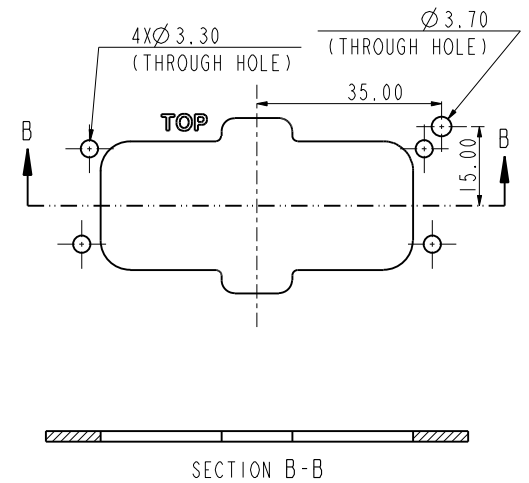
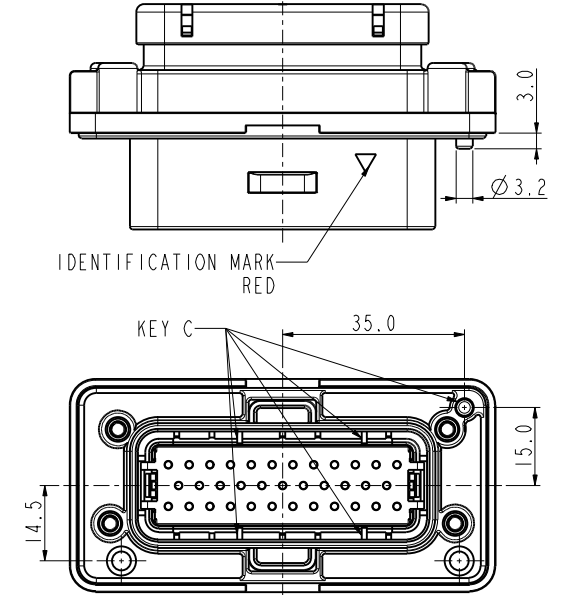
2019年10月10日

LVRCKM35CRBS1



MOUNTING INTERFACE SPECIFICATION
1.5MM-5.5MM THICKNESS

LVRCKM35SCRCS1



MOUNTING INTERFACE SPECIFICATION
1.5MM-5.5MM THICKNESS

SIZE	DWG NO.	REV
A3	C-LVRCKM35SCRXS1	1
CODE: 58982	SCALE: 1:1	SHEET 2 OF 2

C-LVRCKM35SCRXS1

C-LVRCKM35SCRXS1