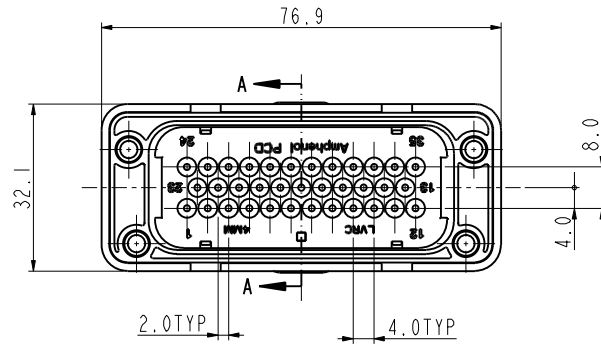
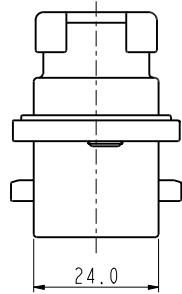
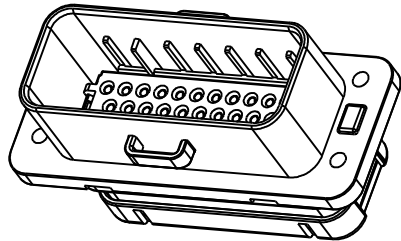
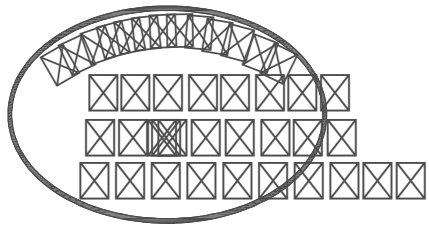


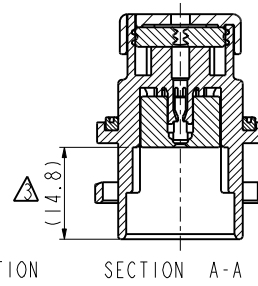
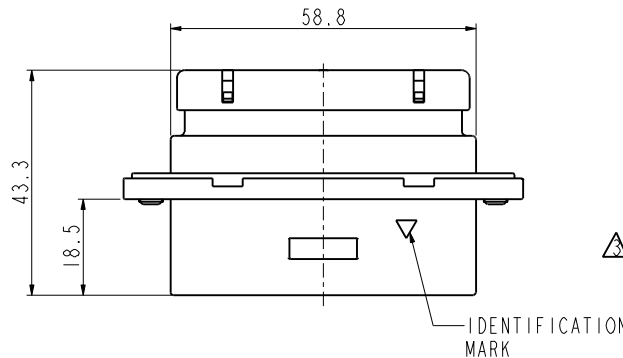
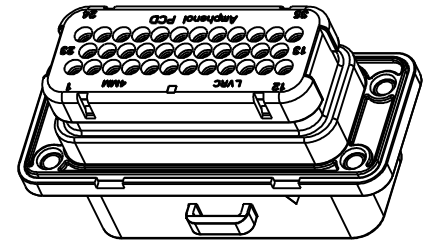
C-LVRCM35SCF



安费诺精密连接器(深圳)有限公司
Amphenol PCD Shenzhen

受控文件

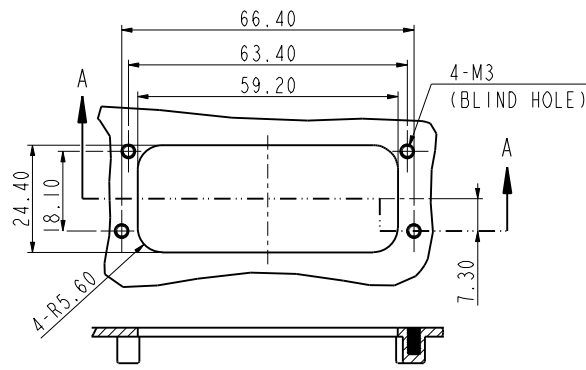
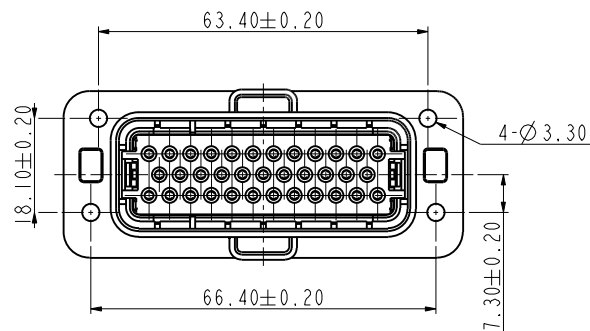
2018年1月24日



- NOTES:
- 1.MATE CONTACT:C310023102, PLEASE ORDER SEPARATELY.
 - 2.MATE CONNECTOR P/N: LVRCF35PC.
 - △ THE GRAY HOUSING CANNOT BE INSERTED INTO SHELL DEEPER BEFORE INSTALL CONTACTS.
 - 4.ROHS COMPLIANCE.
 - 5.ADD 13 AND 23 HOLE MARKS,ADD 22AWG WIRE & PICK UP 14AWG WIRE CURRENT AND MAX NUMBER OF HOLES.

C-LVRCM35SCF

C-LVRCM35SCF

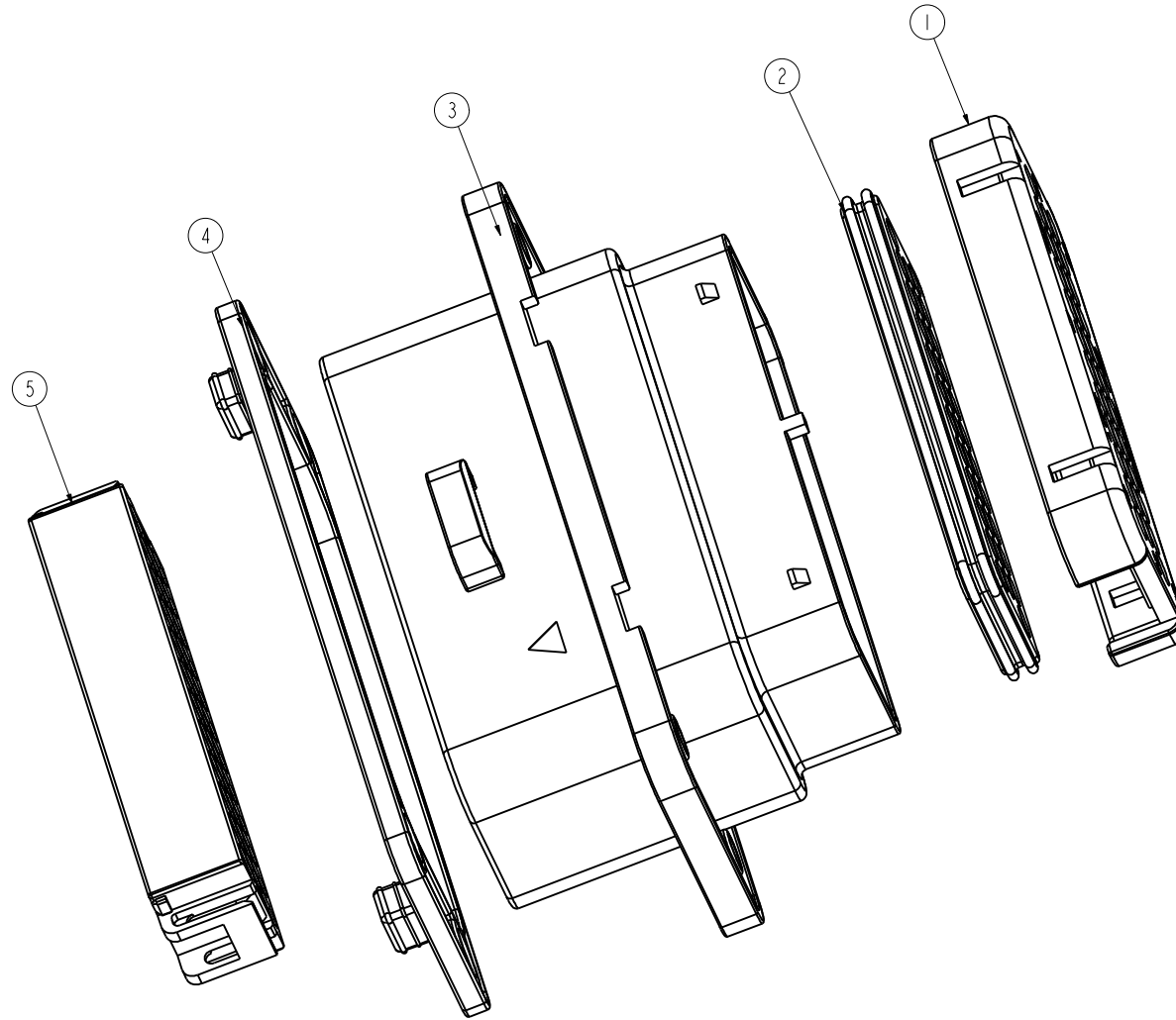


SECTION A-A

MOUNTING INTERFACE SPECIFICATION
1.5MM MINIMUM THICKNESS

TECHINCAL DATA		SPECIAL CHARACTERISTICS SYMBOL
VOLTAGE RATING	250V	+
CURRENT RATING	8A(22~16AWG) 13A(14AWG,6POS LOADED MAX.)	+
WIRE RANGE	22-14AWG WIRE INSULATION OD: 1.7-2.7MM	⊙
WATERPRROF (MATED CONDITION)	IP 67	+
OPERATION TEMP.	-40-125°	⊙
MAX MATING CYCLES	50 TIMES	⊙

DIMENSIONS	TOLERANCES	PROJECTION	TITLE
ANSI Y14.5M UNITS: MM Pro/E FILE	.X ±0.5 .XX ±0.05 ANGLES ±2.0°		SOCKET OF 35 PIN CONNECTOR FRONT ASSEMBLY STYLE
ORIGINAL	THIS DOCUMENT CONTAINS PROPRIETARY INFORMATION WHICH IS THE CONFIDENTIAL PROPERTY OF AMPHENOL PCD SHENZHEN	ENGR CHKD APPD	SIZE DWG NO. A3 C-LVRCM35SCF REV C
		CODE: 58982	SCALE: 1:1 SHEET 1 OF 2



C-LVRCM35SCF

C-LVRCM35SCF

LVRCM35SCF	5	C220011208	INSERT HOUSING, PA66 GRAY	1
	4	C270011203	FLAT RUBBER OF SOCKET, BLACK	1
	3	C220011206	HOUSING, PA66 BLACK	1
	2	C270011201	RUBBER, SR RED	1
	1	C220011204	COVER, PA66 BLACK	1
P/N	ITEM	COMPONENT P/N	DESCRIPTION	QTY

SIZE A3	DWG NO. C-LVRCM35SCF	REV C
CODE: 58982	SCALE: 2:1	SHEET 2 OF 2