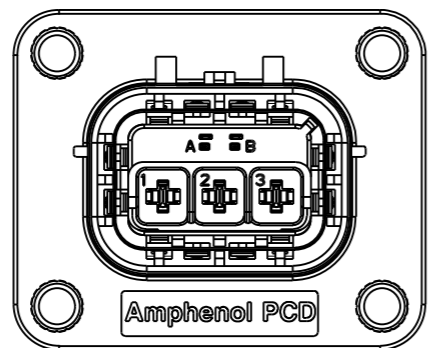
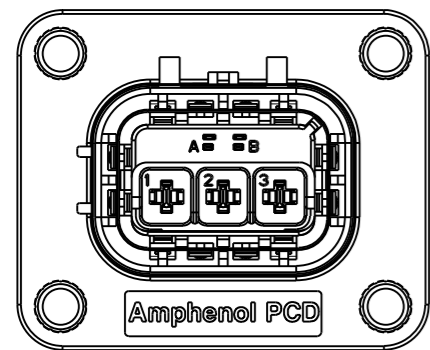


Amphenol PCD SZ
ORIGINAL
PDF Format
R&D

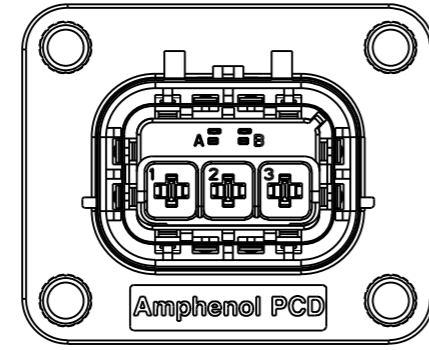
REV	ECN	DESCRIPTION	DATE	MODIFIED
1		RELEASE	Mar-16-21	
2	R4591N	CHANGE THE CURRENT&CABLE OUTSIDE DIAMETER	2020.8.1	
3	R4635W	CHANGE THE STRUCTURE	2021.3.16	
4	C5744W	THE CORRECT CABLE ERROR CODE	2021.8.30	



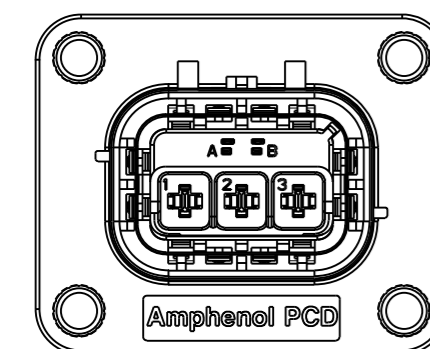
Amphenol PCD
KEY C
C-HVSL280 02 3 C X XX



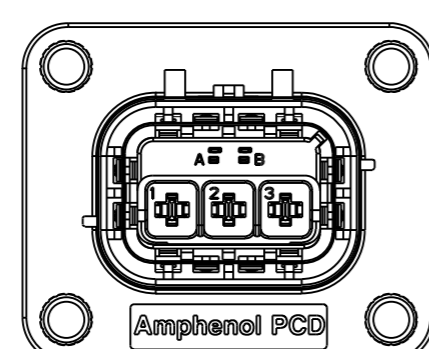
Amphenol PCD
KEY A
C-HVSL280 02 3 A X XX



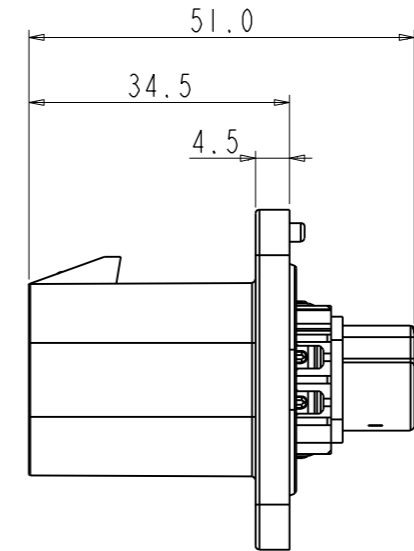
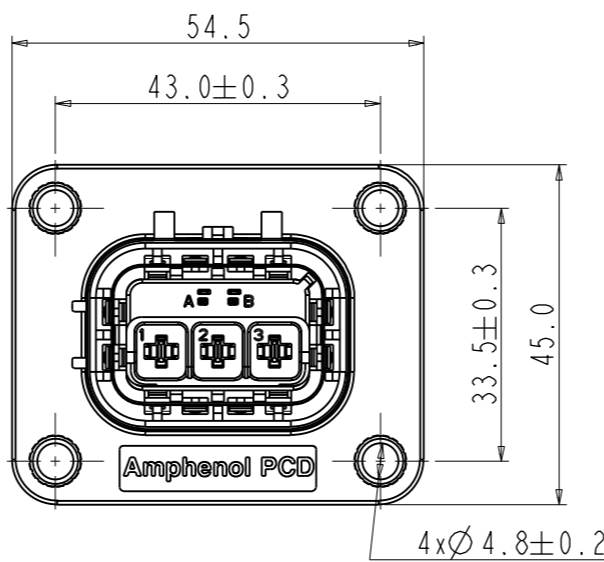
Amphenol PCD
KEY D
C-HVSL280 02 3 D X XX



Amphenol PCD
KEY B
C-HVSL280 02 3 B X XX



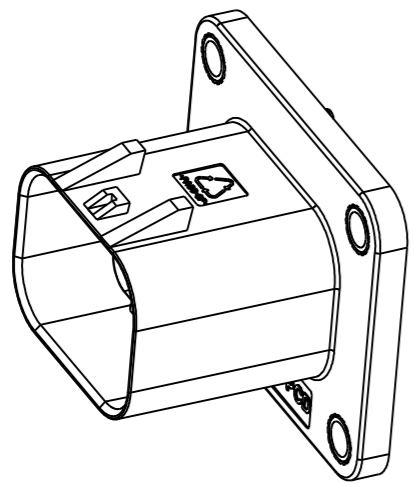
Amphenol PCD
KEY E
C-HVSL280 02 3 E X XX



安费诺精密连接器(深圳)有限公司
Amphenol PCD Shenzhen
受控文件
2021年10月13日

- NOTES:
- MATERIAL
HOUSING : THERMOPLASTICS PA66+GF25 ORANGE COLOR
POWER CONTACTS: COPPER ALLOY, TIN PLATED
HVIL CONTACTS: COPPER ALLOY, TIN PLATED
SHIELD: COPPER ALLOY
SEAL: SILICONE
 - FLANGE MOUNTING HOLE M4 LOCKING TORQUE IS 3N.m
 - PROTECTIVE CAP NUMBER: P03BR00062 (PURCHASED SEPARATELY)
 - P/N INSTRUCTIONS:

TECHNICAL DATA		
CURRENT RATING	HVIL CONTACT 5A (0.5mm ² ; OUTSIDE DIAMETER ∅ 1.4-1.9mm)	+
	POWER CONTACT 23A @ AMBIENT 70°C (2.5mm ² CABLE) 32A @ AMBIENT 70°C (4mm ² CABLE)	+
UL RATING VOLTAGE (OVERVOLTAGE CATEGORY II POLLUTION DEGREE 2)	1000V DC	+
OPERATING TEMPERATURE	-40~125°C	
DIELECTRIC WITH STANDING VOLTAGE	3000V AC	+
INSULATION RESISTANCE	200MΩ MIN	+
DURABILITY	50 CYCLES	⊙
SHIELDING	YES	
WATERPROOF (MATED CONDITION)	IP67, IP6K9K	+
PROTECTION LEVEL	IP2XB	+
AMBIENT TEMPERATURE	-40~70°C	
RoHS	YES	+



KEYS		HVIL		POWER CONTACT	
A	KEY A	CODE	HVIL CONTACT	03	C310003611S
B	KEY B	1	C310003613S	04	C310003611S
C	KEY C	0	NA		
D	KEY D				
E	KEY E				

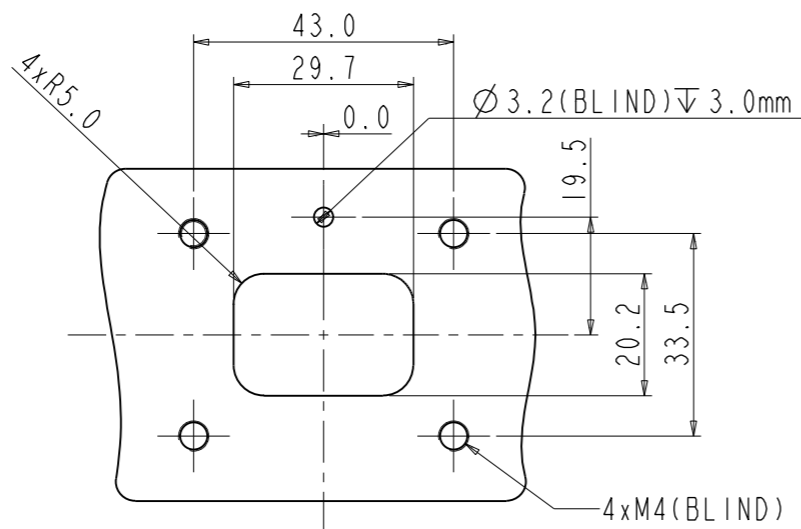
DIMENSIONS	TOLERANCES	PROJECTION	TITLE		
ANSI Y14.5M UNITS: MM Pro/E FILE	.X ±0.5 .XX ±0.05 ANGLES ±2°		HVSL280 RECEPTACLE ASSEMBLY		
ORIGINAL	THIS DOCUMENT CONTAINS PROPRIETARY INFORMATION WHICH IS THE CONFIDENTIAL PROPERTY OF Amphenol PCD Shenzhen Co. Ltd Amphenol PCD Shenzhen Co. Ltd RESERVES THE RIGHT TO CLARIFY THIS DRAWING	ENGR	2019.10.10	SIZE A3	DWG NO. C-HVSL280023XXXX
		CHKD		REV 4	CODE: 58982
		APPD			SHEET 1 OF 3

+ CRITICAL CHARACTERISTIC MARKS / 关键特性符号
⊙ IMPORTANT CHARACTERISTIC MARKS / 重要特性符号

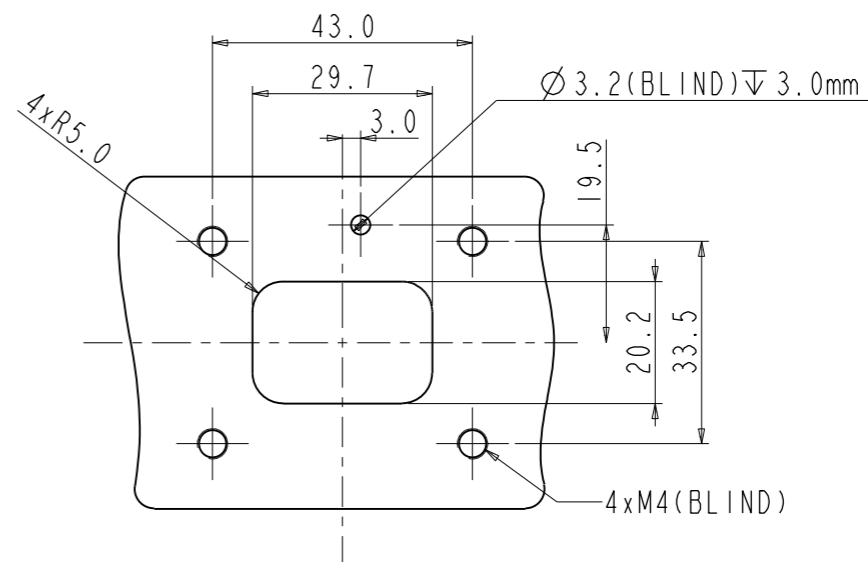
C-HVSL280023XXXX

C-HVSL280023XXXX

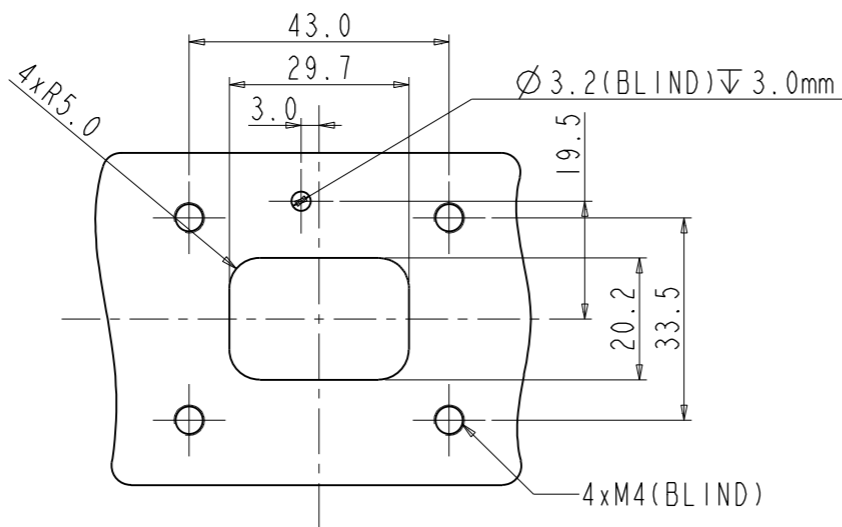
CODE A PANEL



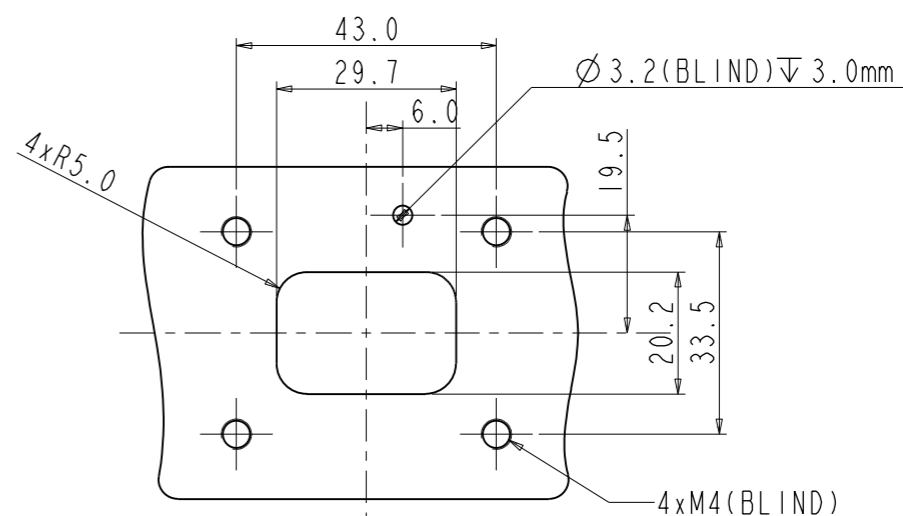
CODE D PANEL



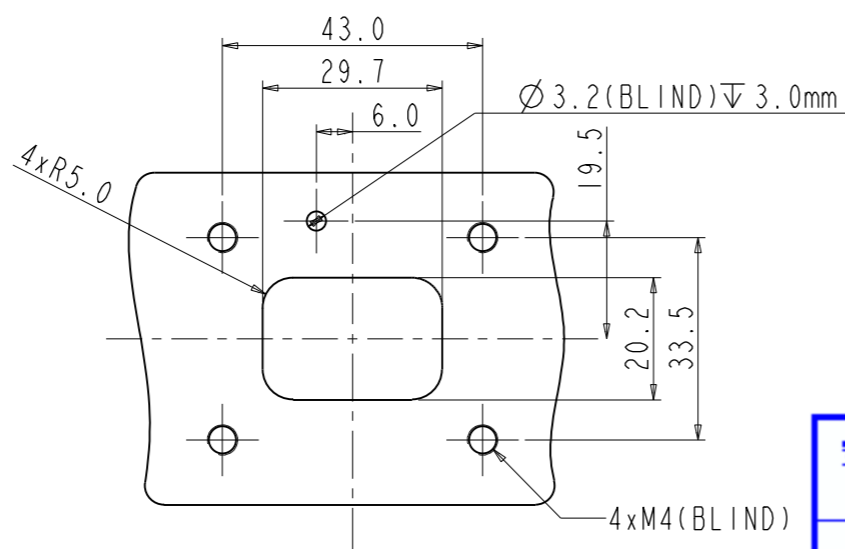
CODE B PANEL



CODE E PANEL



CODE C PANEL



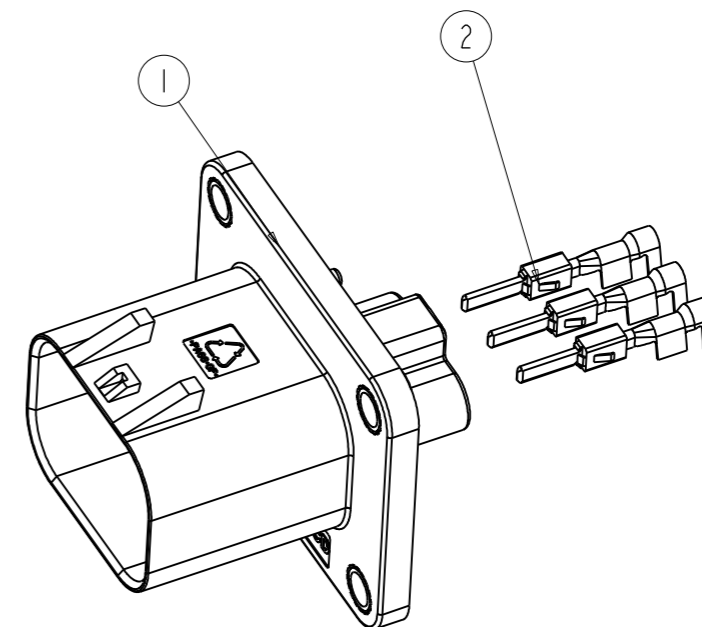
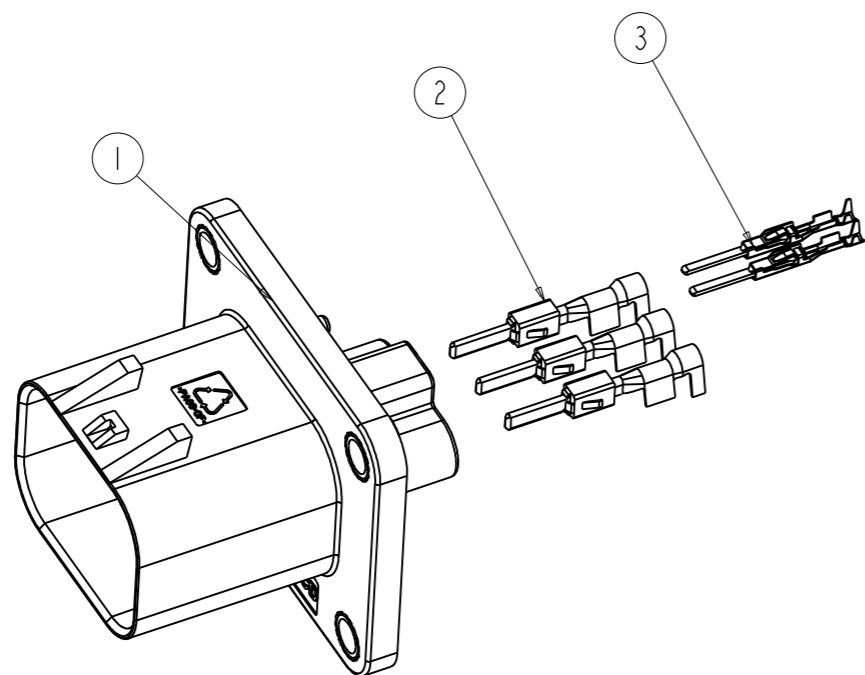
MOUNTING INTERFACE SPECIFICATION
RECOMMENDED THICKNESS: 3.0mm Min

安费诺精密连接器(深圳)有限公司
Amphenol PCD Shenzhen

受控文件

2021年10月13日

SIZE	DWG NO.	REV
A3	C-HVSL280023XXXX	4
CODE: 58982	SCALE: 1:1	SHEET 2 OF 3



HVSL280 02 3 X 1 03 HVSL280 02 3 X 1 04	3	C310003613S	HVIL CONTACT	2
	2	C310003611S	POWER CONTACT	3
	1	HVSL28002X	RECEPTACLE BODY, KEY A/B/C/D/E	1
	ITEM	PART NO.	DESCRIPTION	Q'TY

HVSL280 02 3 X 0 03 HVSL280 02 3 X 0 04	2	C310003611S	POWER CONTACT	3
	1	HVSL28002X	RECEPTACLE BODY, KEY A/B/C/D/E	1
	ITEM	PART NO.	DESCRIPTION	Q'TY

C-HVSL280023XXXX

C-HVSL280023XXXX

HVSL28002X SELECTION:

HVSL28002E	KEY E
HVSL28002D	KEY D
HVSL28002C	KEY C
HVSL28002B	KEY B
HVSL28002A	KEY A

安费诺精密连接器(深圳)有限公司
Amphenol PCD Shenzhen
受控文件
2021年10月13日

SIZE	DWG NO.	REV
A3	C-HVSL280023XXXX	4
CODE: 58982	SCALE: 1:1	SHEET 3 OF 3