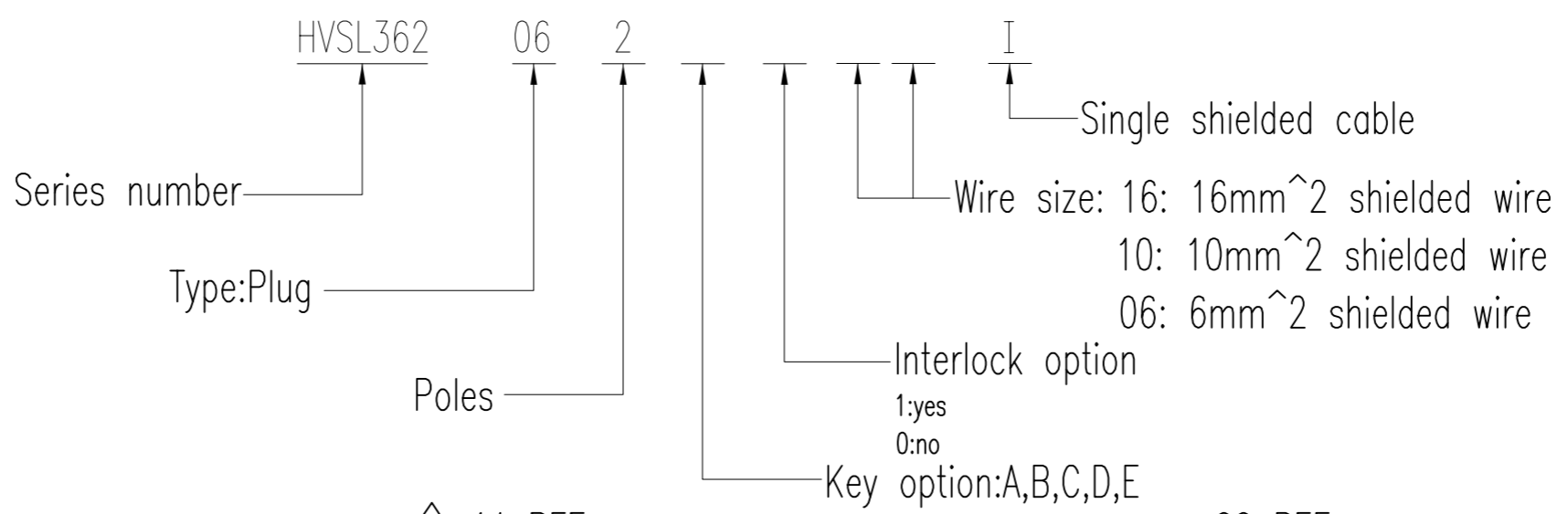


PART NUMBERING SCHEME



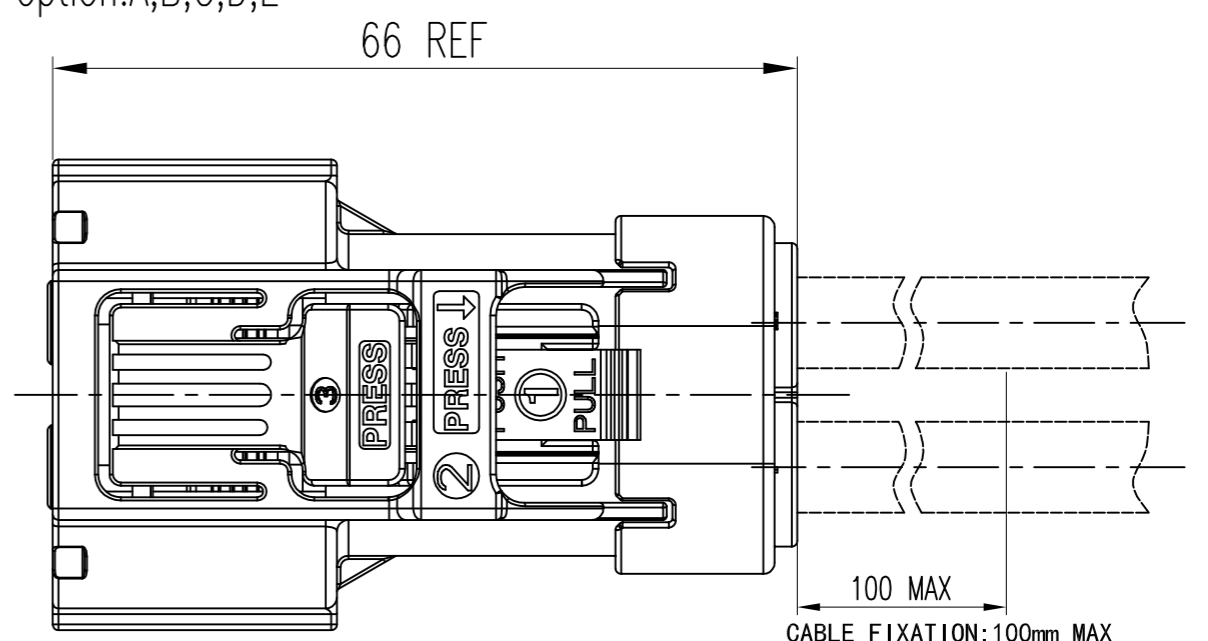
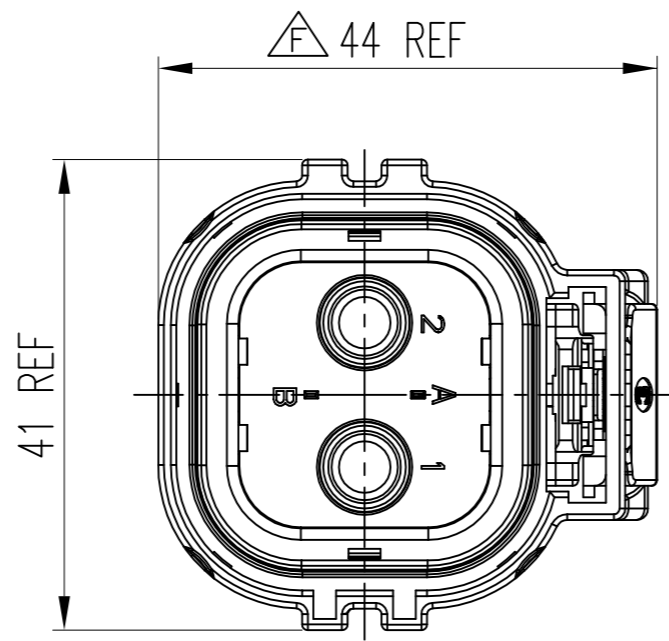
Material
Housing : PA66 UL94-V0
Contacts: Copper alloy, Ag plated
Shield: Copper alloy, Tin plated
Seal: Silicone
Ferrule: Copper alloy, Tin plated

APPLICATION: POLLUTION DEGREE 2
OVERVOLTAGE CATEGORY II
INHOMOGENEOUS FIELD
ALTITUDE NO MORE THAN 2000M

★ IS CRITICAL CHARACTERISTIC SYMBOL/为关键特性
◎ IS IMPORTANT CHARACTERISTIC SYMBOL/为重要特性

C-HVSL362062XXXXI

TECHINCAL DATA		SPECIAL CHARACTERISTICS SYMBOL
VOLTAGE RATING	1000V DC	★
WITHSTAND VOLTAGE	3000V AC	★
INSULATION RESISTANCE	>100MΩ	★
CURRENT RATING	SIGNAL CONTACT 5A	★
	POWER CONTACT 40A(6mm ²) 60A(10mm ²) 80A(16mm ²) Stamping terminals 95A(16mm ²) Machining terminals	
WATER PRROF (MATED CONDITION)	IP67	★
IP FOR FINGER TOUCH (UNMATED CONDITION)	IP2XB	★
SHIELDING FUNCTION	YES	NA
MAX MATING CYCLES	50 TIMES	◎
OPERATION TEMP.	-40-125°C	NA
WIRE RANGE	6-16mm ²	NA



*NOTES:
1.HVSL362062A110I shown in this sheet
2.Recommend OD of shielded wire: 6mm²:φ6.10-φ6.50mm; 10mm²:φ8.4mm-φ8.8mm; 16mm²: φ9.10-φ9.90mm
3.Power contact should be ordered separately, see below table

Assembly P/N	Wire size	Power contact P/N	Usage
HVSL362062X106I	6mm ²	C3100235021	2Pcs
HVSL362062X110I	10mm ²		2Pcs
HVSL362062X116I	16mm ²	P03BS00080 Stamping terminals	2Pcs
HVSL362062X116I	16mm ²	P03BM00196 Machining terminals	2Pcs

4.Wire range:6mm²-16mm²
5.RoHS compliance

DIMENSIONS	TOLERANCES	PROJECTION	TITLE		
ANSI Y14.5M UNITS: MM CAD FILE	.X ± 0.5 .XX ±0.05 ANGLES ±2'		Amphenol Pcd Shenzhen HVSL362 2P PLUG 6 -16mm² WIRE SIZE		
ORIGINAL	THIS DOCUMENT CONTAINS PROPRIETARY INFORMATION WHICH IS THE CONFIDENTIAL PROPERTY OF AMPHENOL PCD SHENZHEN				
			CODE:	SCALE NONE	SHEET 1 OF 3

C-HVSL362062XXXXI

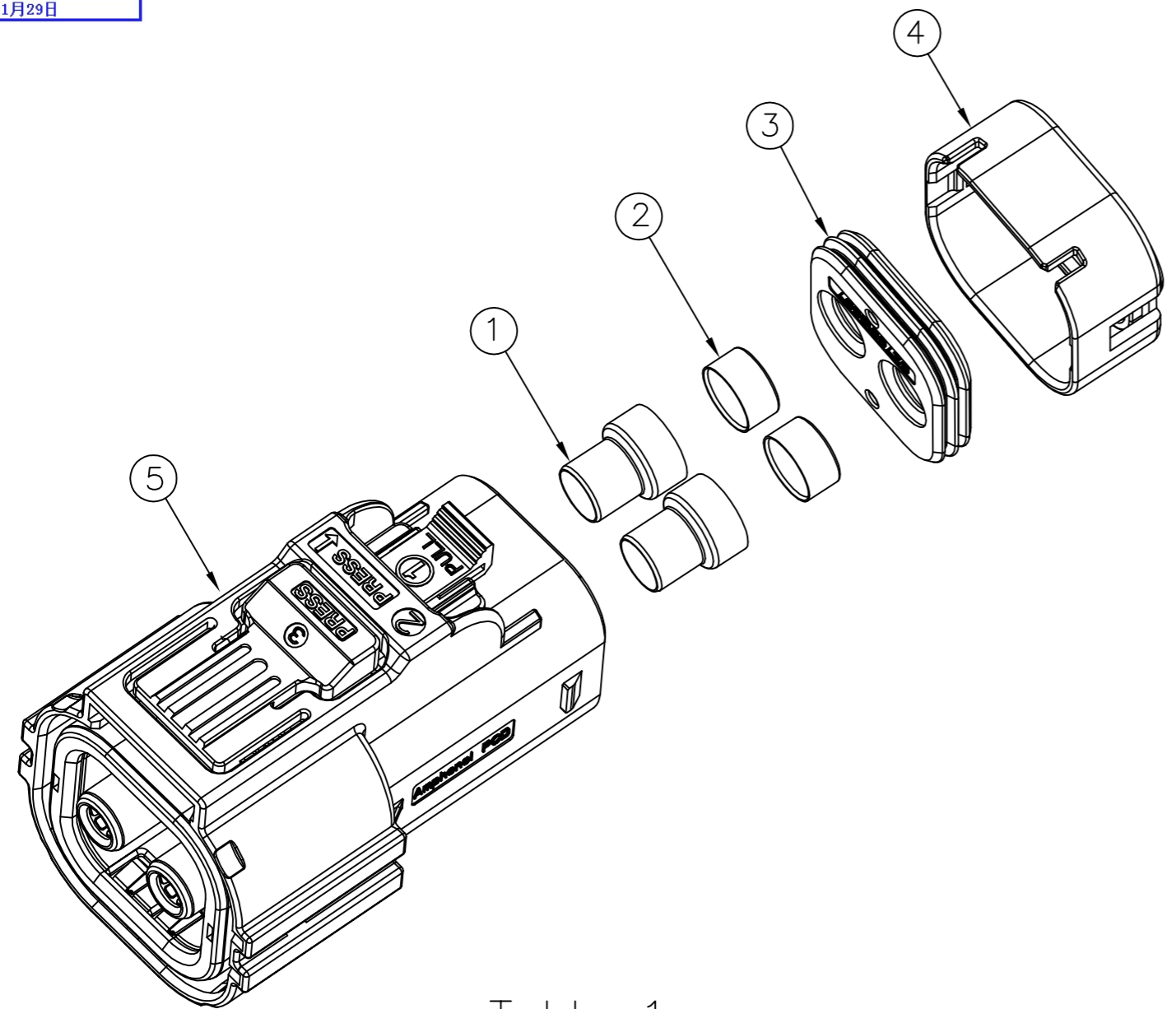


Table 1

Assembly P/N	ITEM	COMPONENT P/N	QTY	REMARKS
HVSL362062XX06I	5	HVSL362062XY(X=A,B,C,D,E;Y=0,1)	1	6mm ² SHIELD CABLE OD=ø6.10-ø6.50mm
	4	P03BP00016	1	
	3	P03BR000017	1	
	2	C4200011202	2	
	1	C4200011603	2	
HVSL362062XX10I	5	HVSL362062XY(X=A,B,C,D,E;Y=0,1)	1	10mm ² SHIELD CABLE OD=ø8.40-ø8.80mm
	4	C4220011906	1	
	3	C4270011607	1	
	2	C4200011902	2	
	1	C4200011901	2	
HVSL362062XX16I	5	HVSL362062XYS1(X=A,B,C,D,E;Y=0,1)	1	16mm ² SHIELD CABLE OD=ø9.10-ø9.90mm
	4	P03BP00002	1	
	3	P03BR00001	1	
	2	P03BS00002	2	
	1	P03BS00001	2	

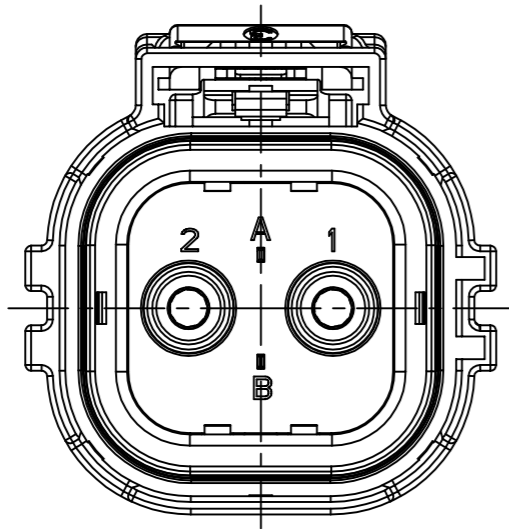
ITEM	Diagram	Wire size	PART NUMBER	DIM "d1"
		16mm ²	P03BS00001	ø11.4
ITEM1		10mm ²	C4200011901	ø10.3
		6mm ²	C4200011603	ø8.55
		Wire size	PART NUMBER	DIM "d2"
ITEM2		16mm ²	P03BS00002	ø9.9
		10mm ²	C4200011902	ø8.8
		6mm ²	C4200011202	ø6.55
ITEM3		Wire size	PART NUMBER	DIM "d3"
		16mm ²	P03BR00001	ø7.8
		10mm ²	C4270011607	ø7.0
ITEM4		6mm ²	P03BR000017	ø5.2
		Wire size	PART NUMBER	DIM "d4"
		16mm ²	P03BP00002	ø10.2
ITEM5		10mm ² & 6mm ²	HVSL362062XY (X=A,B,C,D,E;Y=0,1)	
		16mm ²	HVSL362062XYS1 (X=A,B,C,D,E;Y=0,1)	

Table 2

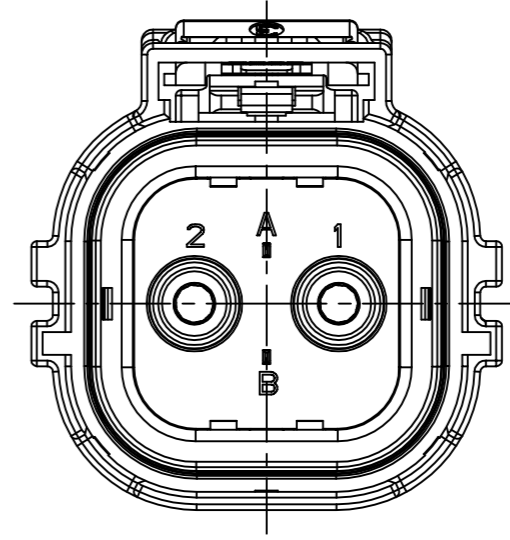
SIZE A3	DWG NO. C-HVSL362062XXXXXI	REV F
CODE:	SCALE NONE	SHEET 2 OF 3

C-HVSL362062XXXXXI

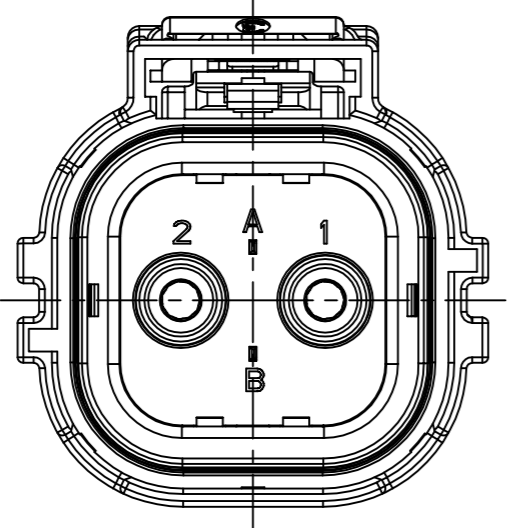
C-HVSL362062XXXXXI



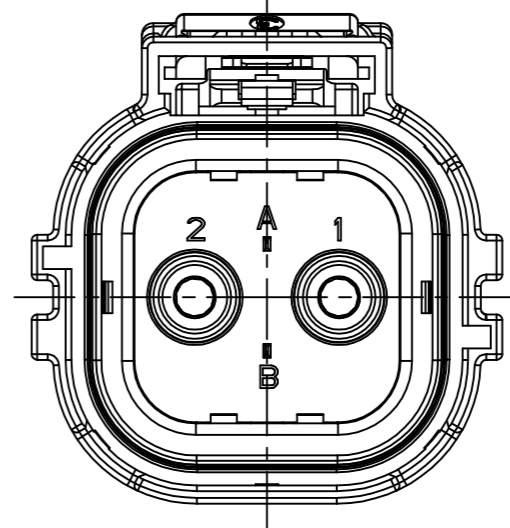
KEY A
HVSL362062AXXXI



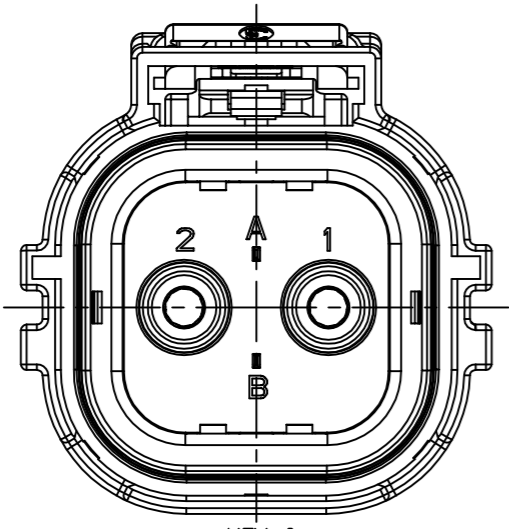
KEY D
HVSL362062DXXXI



KEY B
HVSL362062BXXXI



KEY E
HVSL362062EXXXI



KEY C
HVSL362062CXXXI

C-HVSL362062XXXXI

C-HVSL362062XXXXI

SIZE A3	DWG NO. C-HVSL362062XXXXI	REV F
CODE:	SCALE NONE	SHEET 3 OF 3