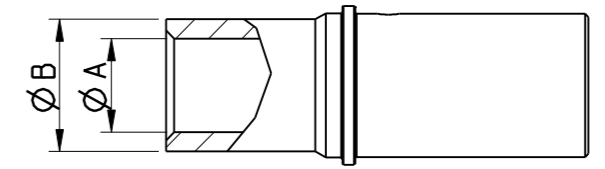
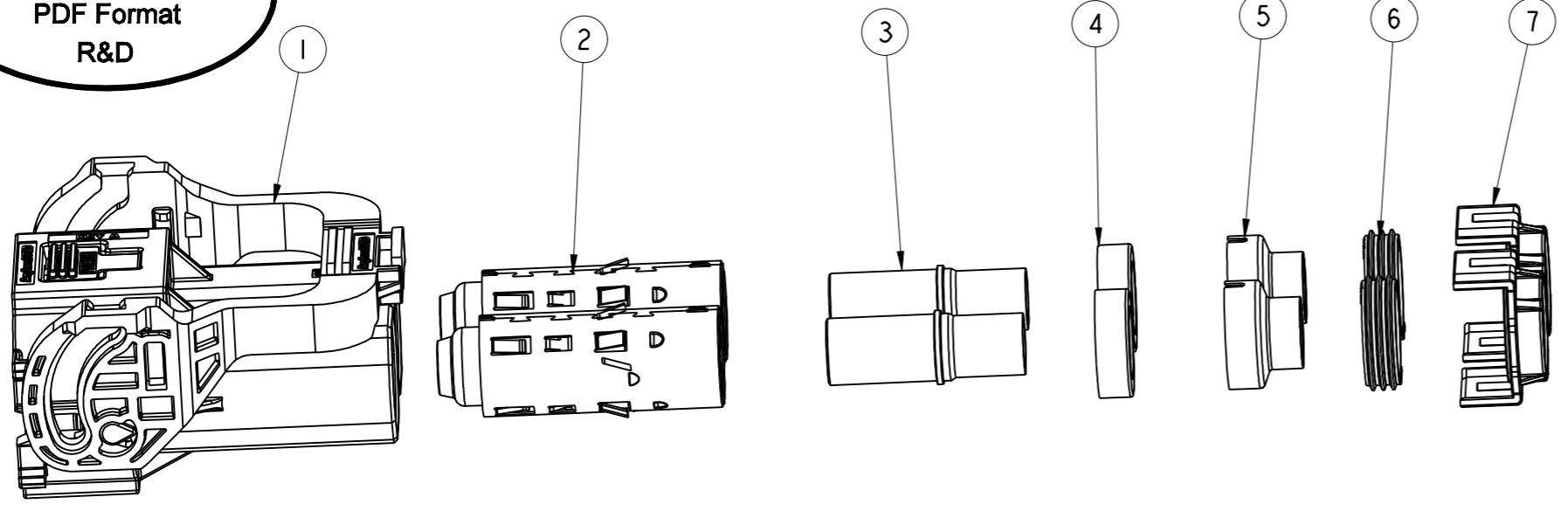
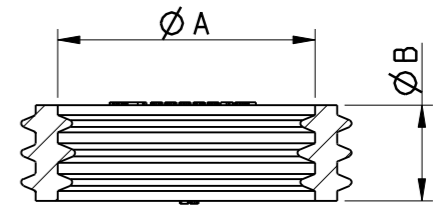


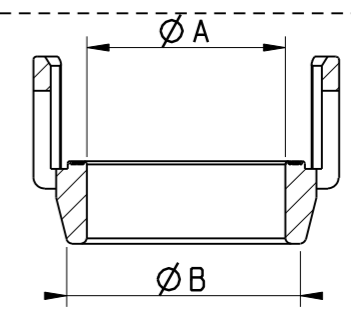
Amphenol PCDSZ
ORIGINAL
PDF Format
R&D



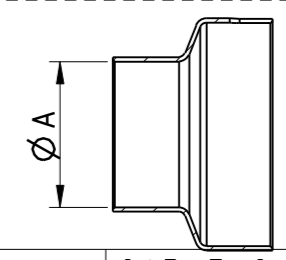
P/N	CABLE SIZE	ØA±0.1	ØB±0.2
C4200036391	50	10.30	14.0
C4200036392	35	8.5	12.0
C4200036393	25	7.2	9.5



P/N	CABLE SIZE	ØA±0.2	ØB±0.2
C4270036451	50	17.50	6.5
C4270036452	35	15.2	6.5
C4270036453	25	13.40	6.5



P/N	CABLE SIZE	ØA±0.2	ØB±0.3
C4220036831	50	18	21.5
C4220036832	35	15	18.5
C4220036833	25	13	16.5

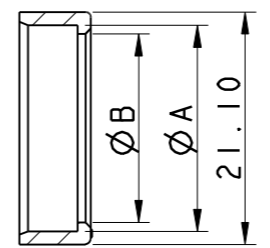


P/N	CABLE SIZE	ØA±0.2
C4310036371	50	17.5
C4310036372	35	15.0
C4310036373	25	13.2

4. ASSEMBLY AND DETAIL BOM LIST SHOW

ITEM	P/N	Q'ty	DESCRIPTION
7	C422003683X	2	END CAP
6	C427003645X	2	SEAL
5	C431003637X	2	OUT FERRULE
4	C422005823X	2	BAFFLE
3	C420003639X	2	SOCKRT CONTACT BODY
2	C431XXXXXX	2	SHIELDING
1	HVSL800062XI	1	MAIN BODY&HVIL

ITEM	P/N	Q'ty	DESCRIPTION
7	C422003683X	2	END CAP
6	C427003645X	2	SEAL
5	C431003637X	2	OUT FERRULE
4	C422005823X	2	BAFFLE
3	C420003639X	2	SOCKRT CONTACT BODY
2	C431XXXXXX	2	SHIELDING
1	HVSL800062X0	1	MAIN BODY&NO HVIL



P/N	CABLE SIZE	ØA±0.2	ØB±0.2
C4310036371	50	18.7	17.1
C4310036372	35	16.2	14.6
C4310036373	25	14.4	13.4

C-HVSL800062XXXX

C-HVSL800062XXXX

SIZE A3	DWG NO. C-HVSL800062XXXX	REV 6
CODE: 58982	SCALE: 1:1	SHEET 2 OF 2