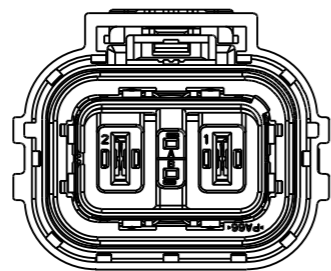
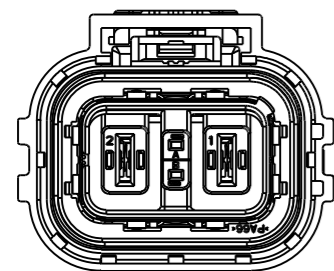


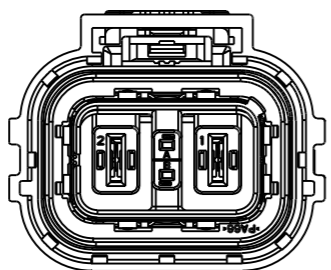
Amphenol PCD SZ  
ORIGINAL  
PDF Format  
R&D



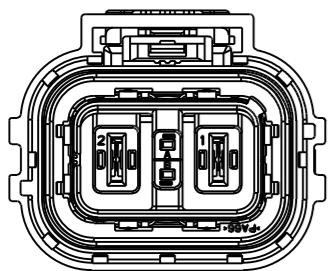
KEY C  
C-HVSL630 06 2 C X XX XX



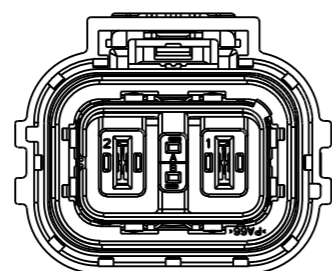
KEY A  
C-HVSL630 06 2 A X XX XX



KEY D  
C-HVSL630 06 2 D X XX XX



KEY B  
C-HVSL630 06 2 B X XX XX



KEY E  
C-HVSL630 06 2 E X XX XX

NOTES:

1. MATERIAL & FINISH:

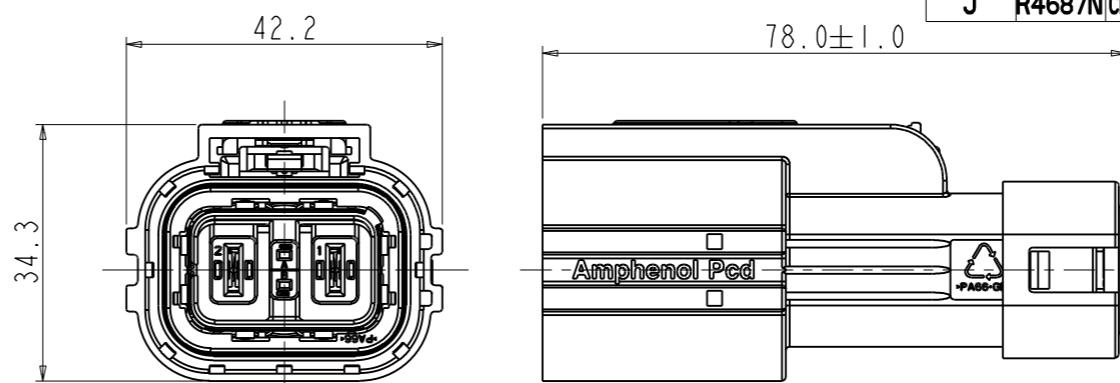
PLASTIC BODY: THERMOPLASTICS PA66+GF25 ORANGE COLOR  
POWER CONTACTS: COPPER ALLOY WITH TIN PLATED  
HVIL CONTACTS: COPPER ALLOY WITH TIN PLATED  
SHIELD: COPPER ALLOY WITH TIN PLATED  
SEAL: SILICONE

2. PART NUMBER DESCRIPTION:

HVSL 630 06 2 X X XX XX

CODE: HVIL: WIRE SIZE: CABLE OD:  
A: CODING A 0: WITHOUT HVIL 04: 4mm2 10: 10±0.5mm  
B: CODING B 1: WITH HVIL 06: 6mm2 11: 11±0.5mm  
C: CODING C 12: 12±0.5mm  
D: CODING D 13: 13+0/-0.5mm  
E: CODING E

REV	ECN	DESCRIPTION	DATE	MODIFIED
A		RELEASE	18/07/19	
B		ADD KEY WAY	2017.6.20	
C		CHANGE THE NOTES	2017.10.16	
D		ADD CABLE TOLERANCE	2018.4.26	
E		INCREASE BOM	2018.6.22	
F	R3495N	CHANGE BOM LIST	2019.7.18	
G	C3899N	CHANGE THE POWER&HVIL PIN PN	2019.11.20	
H	R4025W	CHANGE THE FERRULE P/N	2019.11.20	
J	R4687N	CHANGE THE CURRENT AND RATING VOLTAGE	2020.8.26	



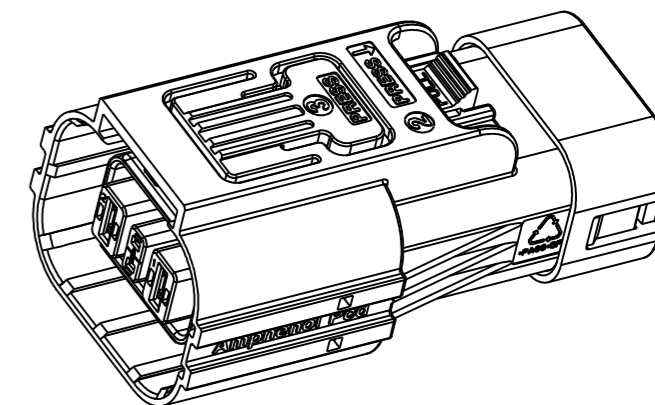
安费诺精密连接器(深圳)有限公司  
Amphenol PCD Shenzhen  
受控文件  
2020年9月17日

4. TECHNICAL DATA TABLE

TECHNICAL DATA		
CURRENT RATING	HVIL CONTACT 5A(0.5~0.75mm <sup>2</sup> :OUTSIDE DIAMETER∅1.4~1.9mm)	+
	POWER CONTACT 32A @ AMBIENT 70 (4mm <sup>2</sup> CABLE) 40A @ AMBIENT 70 (6mm <sup>2</sup> CABLE)	
UL RATING VOLTAGE (OVERVOLTAGE CATEGORY II POLLUTION DEGREE 2)	1000V DC	+
OPERATING TEMPERATURE	-40~125°C	
DIELECTRIC WITH STANDING VOLTAGE	3000V AC	+
INSULATION RESISTANCE	100MΩ MIN	+
DURABILITY	50 CYCLES	◎
SHIELDING	YES	
WATERPROOF(MATED CONDITION)	IP67&IP6K9K	+
PROTECTION LEVEL	IP2XB	+
AMBIENT TEMPERATURE	-40~70°C	
RoHS	YES	+

+ CRITICAL CHARACTERISTIC MARKS / 关键特性符号

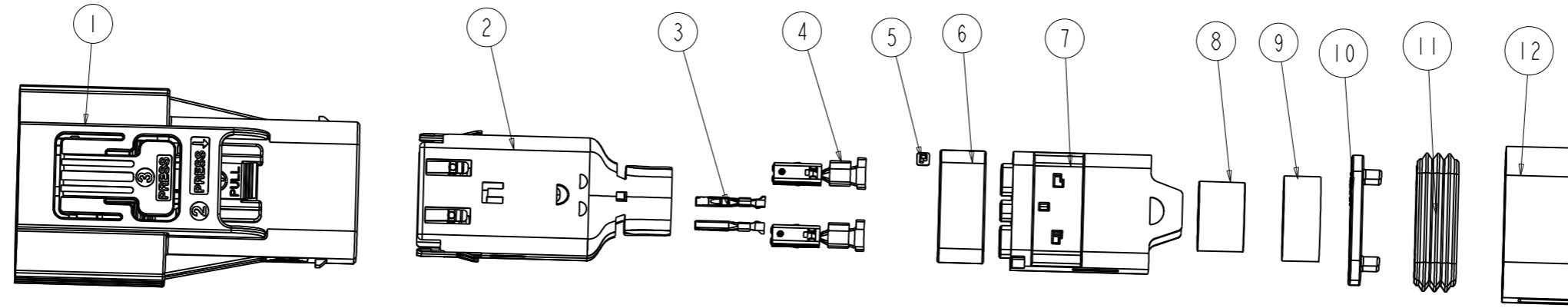
◎ IMPORTANT CHARACTERISTIC MARKS / 重要特性符号



DIMENSIONS	TOLERANCES	PROJECTION	TITLE		
ANSI Y14.5M UNITS: MM Pro/E FILE	.X ±0.5 .XX ±0.05 ANGLES ±2°		HVSL630 PLUG ASSEMBLY		
ORIGINAL	THIS DOCUMENT CONTAINS PROPRIETARY INFORMATION WHICH IS THE CONFIDENTIAL PROPERTY OF AMPHENOL PCD SHENZHEN		ENGR	18/07/19	
			CHKD	APPD	SIZE: A3
			CODE: 58982	SCALE: 1:1	SHEET 1 OF 3

C-HVSL630062XXXXXX

C-HVSL630062XXXXXX



比例 4:5

HVSL63006X SELECTION:

HVSL63006A	KEY A
HVSL63006B	KEY B
HVSL63006C	KEY C
HVSL63006D	KEY D
HVSL63006E	KEY E

HVSL630 06 2 X 1 04 10 HVSL630 06 2 X 1 06 10	12	C220003620	END CAP	1
	11	C2700036072	CABLE SEAL (4mm2&6mm2)	1
	10	C220003622	SPACER	1
	9	P03BM00117	OUTER FERRULE	1
	8	P03BM00388	INNER FERRULE	1
	7	C220003653	INNER HOUSING	1
	6	C220003655	TPA 2	1
	5	C220003656	TPA 1	1
	4	C310003623S	MAIN CONTACT (4mm2&6mm2)	2
	3	C310003614S	HVIL CONTACT (0.5~0.75mm2)	2
	2	C310003609	SHIELD	2
	1	HVSL63006X	PLUG (KEY A/B/C/D/E)	1

HVSL630 06 2 X 1 04 11 HVSL630 06 2 X 1 06 11	12	C220003620	END CAP	1
	11	C2700036071	CABLE SEAL (4mm2&6mm2)	1
	10	C220003622	SPACER	1
	9	P03BM00117	OUTER FERRULE	1
	8	P03BM00388	INNER FERRULE	1
	7	C220003653	INNER HOUSING	1
	6	C220003655	TPA 2	1
	5	C220003656	TPA 1	1
	4	C310003623S	MAIN CONTACT (4mm2&6mm2)	2
	3	C310003614S	HVIL CONTACT (0.5~0.75mm2)	2
	2	C310003609	SHIELD	2
	1	HVSL63006X	PLUG (KEY A/B/C/D/E)	1

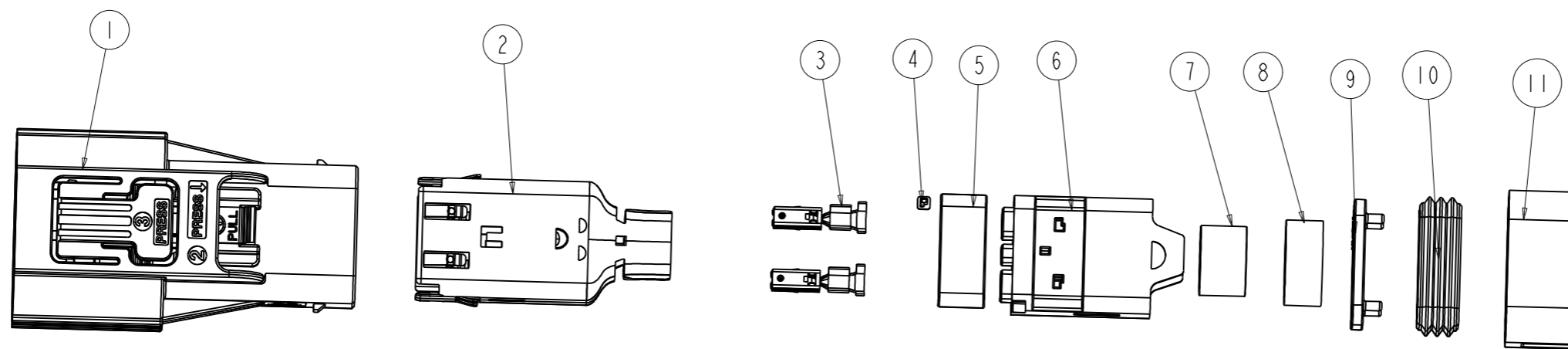
HVSL630 06 2 X 1 04 12 HVSL630 06 2 X 1 06 12 HVSL630 06 2 X 1 04 13 HVSL630 06 2 X 1 06 13	12	C220003620	END CAP	1
	11	C270003607	CABLE SEAL (4mm2&6mm2)	1
	10	C220003622	SPACER	1
	9	P03BM00117	OUTER FERRULE	1
	8	P03BM00388	INNER FERRULE	1
	7	C220003653	INNER HOUSING	1
	6	C220003655	TPA 2	1
	5	C220003656	TPA 1	1
	4	C310003623S	MAIN CONTACT (4mm2&6mm2)	2
	3	C310003614S	HVIL CONTACT (0.5~0.75mm2)	2
	2	C310003609	SHIELD	2
	1	HVSL63006X	PLUG (KEY A/B/C/D/E)	1
ASSEMBLY P/N	ITEM	P/N	DESCRIPTION	Q'TY

ASSEMBLY P/N	ITEM	P/N	DESCRIPTION	Q'TY
--------------	------	-----	-------------	------

SIZE	DWG NO.	REV
A3	C-HVSL630062XXXXXX	J
CODE: 58982	SCALE: 1:1	SHEET 2 OF 3

C-HVSL630062XXXXXX

C-HVSL630062XXXXXX



比例 4:5

HVSL630 06 2 X 0 04 10 HVSL630 06 2 X 0 06 10	11	C220003620	END CAP	1
	10	C2700036072	CABLE SEAL (4mm2&6mm2)	1
	9	C220003622	SPACER	1
	8	P03BM00117	OUTER FERRULE	1
	7	P03BM00388	INNER FERRULE	1
	6	C220003653	INNER HOUSING	1
	5	C220003655	TPA 2	1
	4	C220003656	TPA 1	1
	3	C310003623S	MAIN CONTACT (4mm2&6mm2)	2
	2	C310003609	SHIELD	2
1	HVSL63006X	PLUG (KEY A/B/C/D/E)	1	

安费诺精密连接器(深圳)有限公司  
 Amphenol PCD Shenzhen  
**受 控 文 件**  
 2020年9月17日

HVSL630 06 2 X 0 04 11 HVSL630 06 2 X 0 06 11	11	C220003620	END CAP	1
	10	C2700036071	CABLE SEAL (4mm2&6mm2)	1
	9	C220003622	SPACER	1
	8	P03BM00117	OUTER FERRULE	1
	7	P03BM00388	INNER FERRULE	1
	6	C220003653	INNER HOUSING	1
	5	C220003655	TPA 2	1
	4	C220003656	TPA 1	1
	3	C310003623S	MAIN CONTACT (4mm2&6mm2)	2
	2	C310003609	SHIELD	2
1	HVSL63006X	PLUG (KEY A/B/C/D/E)	1	
ASSEMBLY P/N	ITEM	P/N	DESCRIPTION	Q'TY

HVSL630 06 2 X 0 04 12 HVSL630 06 2 X 0 06 12 HVSL630 06 2 X 0 04 13 HVSL630 06 2 X 0 06 13	11	C220003620	END CAP	1
	10	C270003607	CABLE SEAL (4mm2&6mm2)	1
	9	C220003622	SPACER	1
	8	P03BM00117	OUTER FERRULE	1
	7	P03BM00388	INNER FERRULE	1
	6	C220003653	INNER HOUSING	1
	5	C220003655	TPA 2	1
	4	C220003656	TPA 1	1
	3	C310003623S	MAIN CONTACT (4mm2&6mm2)	2
	2	C310003609	SHIELD	2
1	HVSL63006X	PLUG (KEY A/B/C/D/E)	1	
ASSEMBLY P/N	ITEM	P/N	DESCRIPTION	Q'TY

C-HVSL630062XXXXXX

C-HVSL630062XXXXXX