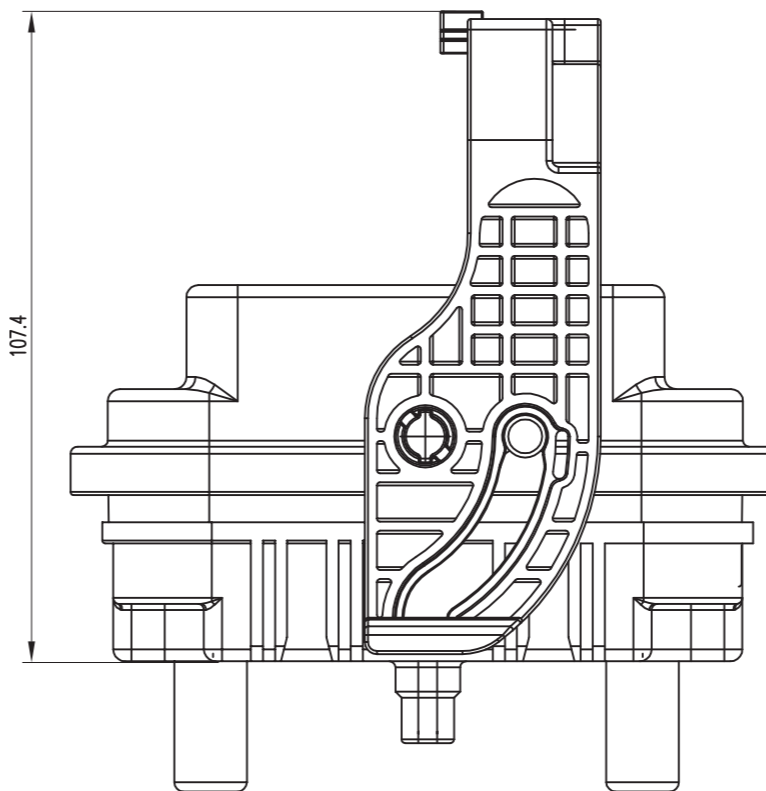
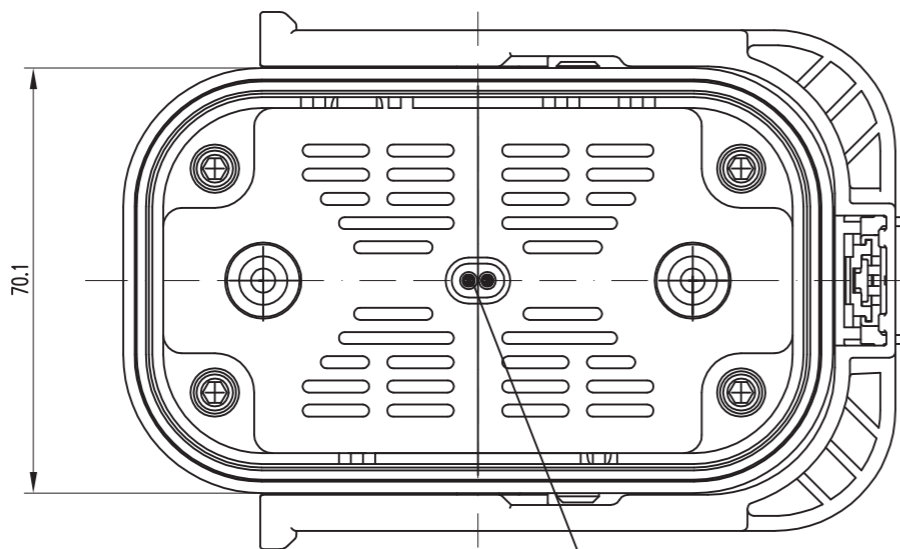
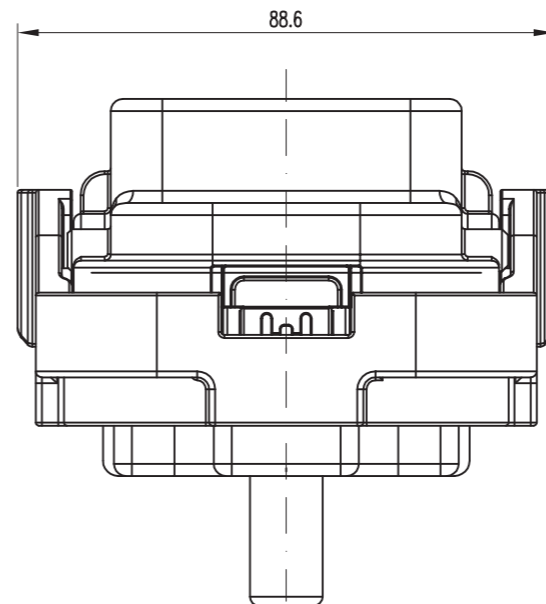
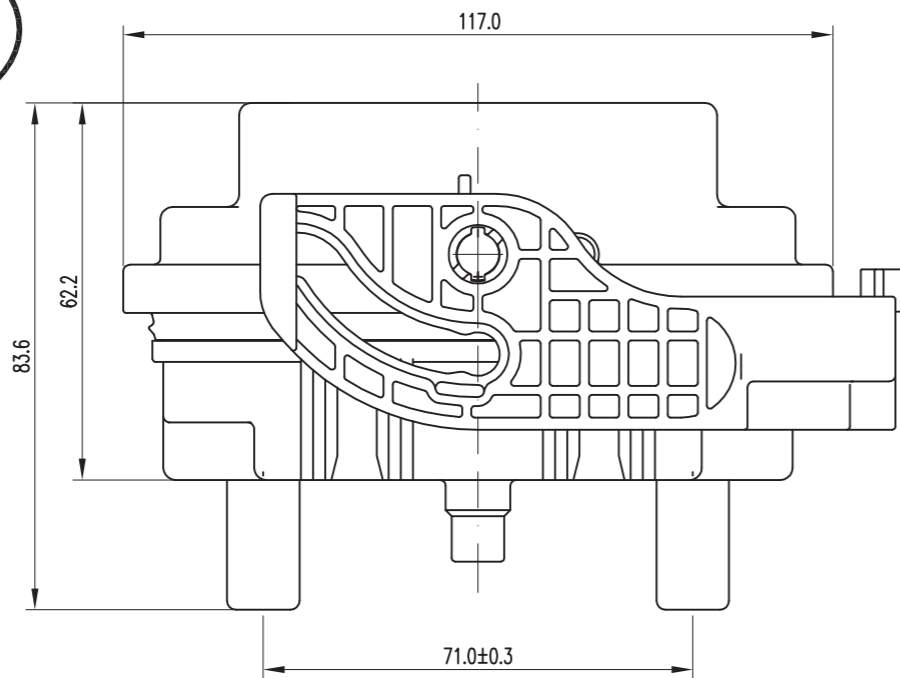


Amphenol PCD SZ  
ORIGINAL  
PDF Format  
17R&D



HVIL PIN:  
P/N:C200003644  
信号针保持力40N MIN.

TECHNICAL SPECIFICATONS:  
Signal connector: C200003644

Mating & un-mating force	<100N	
Temperature range	-40°C~+125°C	
Storage temperature	-40°C~+85°C	
Ambient temperature	-40°C~+70°C	
Rated current	Defined by fuse spec (refer to derating curve)	+
Rated voltage	Shunt:1500V DC With fuse:1000V DC	+
Withstanding Voltage	>2500V AC	
Insulation resistance	>100MΩ	+
Durability	>500 Cycles	◎
IP-Class	IP67;IP69k(Mated)	+
Humidity	40%~70% (23±5~C)	
Housing Material	PA66+GF	
Flammability	UL-94V0	
RoHS	RoHS	+
DESCRIPTION	PARAMETER	SYMBOL

MSDXL插头带短接铜棒以及带不同规格保险丝的料号见下表:  
MSDXL PLUG PART NUMBER LIST

ITEM	P/N	DESCRIPTION	REMARK
11	MSDXLM000	MSDXL SHUNT	BUS-BAR
10	MSDXLM160	MSDXL WITH 160A FUSE	AHF160A
9	MSDXLM200	MSDXL WITH 200A FUSE	AHF200A
8	MSDXLM250	MSDXL WITH 250A FUSE	AHF250A
7	MSDXLM315	MSDXL WITH 315A FUSE	AHF315A
6	MSDXLM350	MSDXL WITH 350A FUSE	AHF350A
5	MSDXLM400	MSDXL WITH 400A FUSE	AHF400A
4	MSDXLM450	MSDXL WITH 450A FUSE	AHF450A
3	MSDXLM500	MSDXL WITH 500A FUSE	AHF500A
2	MSDXLM550	MSDXL WITH 550A FUSE	AHF550A
1	MSDXLM630	MSDXL WITH 630A FUSE	AHF630A

DIMENSIONS	TOLERANCES	PROJECTION	Amphenol Pcd Shenzhen ENGR
ANSI Y14.5M UNITS: MM CAD FILE	.X ±1 .XX ±0.5 ANGLES ±0.5°		
ORIGINAL	THIS DOCUMENT CONTAINS PROPRIETARY INFORMATION WHICH IS THE CONFIDENTIAL PROPERTY OF AMPHENOL PCD SHENZHEN		CHKD APPD

TITLE			
<b>MSD XL PLUG</b>			
SIZE A3	DWG NO. C_MSDXLMXXX	REV C	
CODE:	SCALE 1:1	SHEET 1 OF 1	