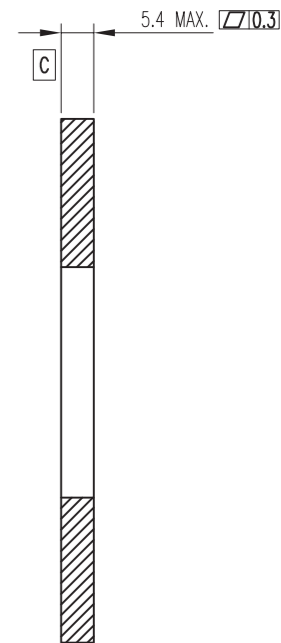
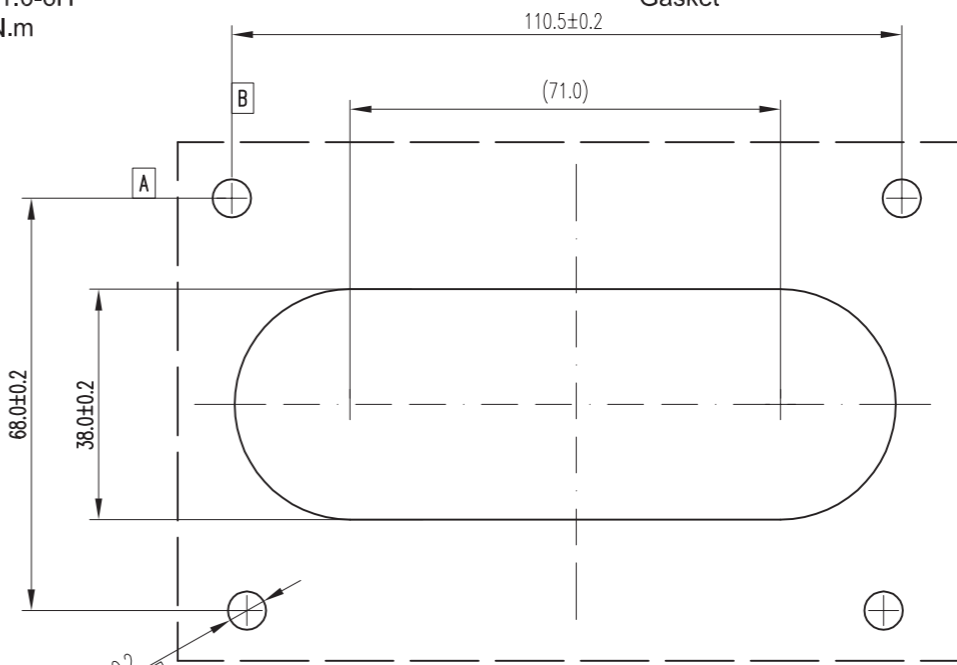
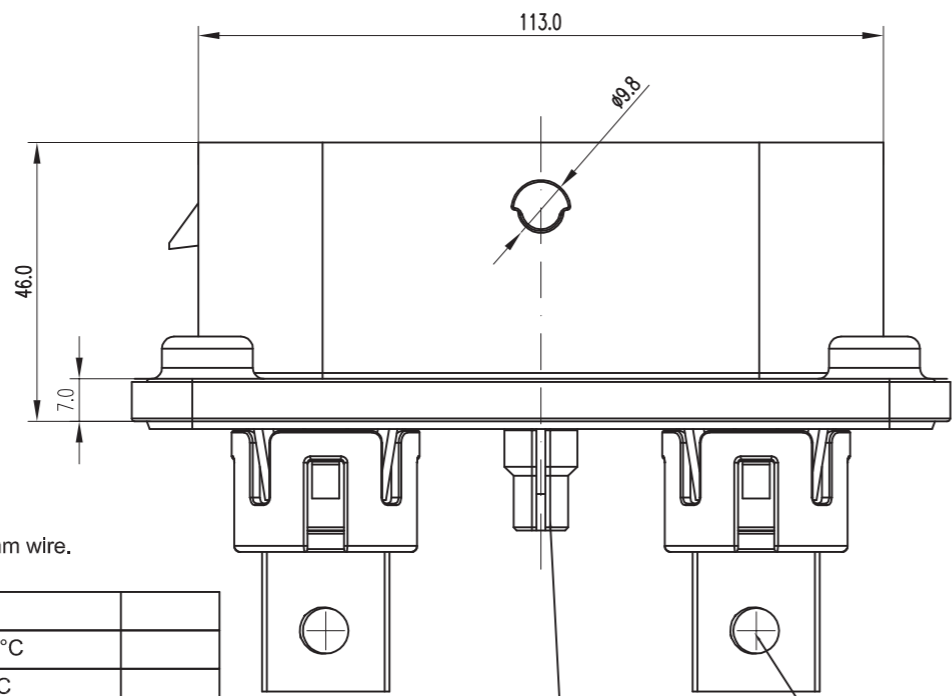
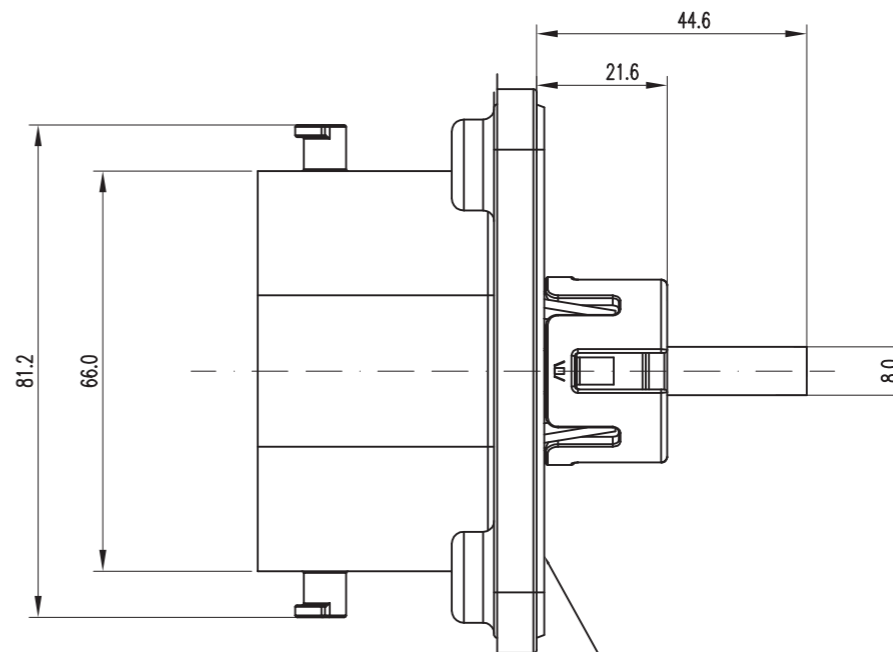
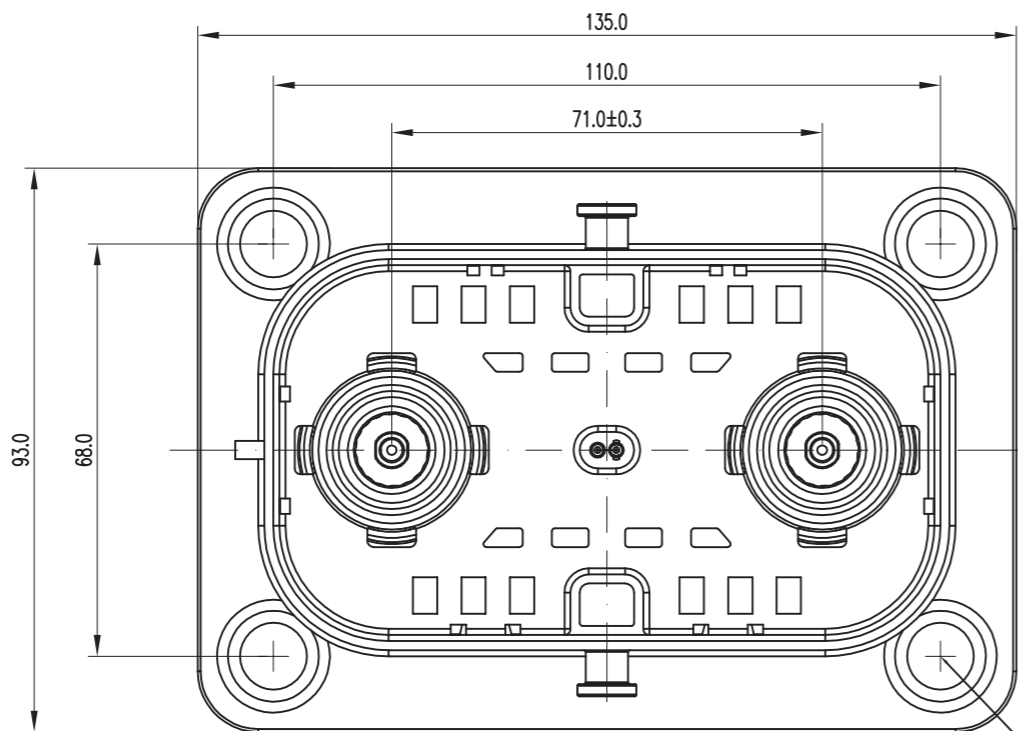


Amphenol PCD SZ  
ORIGINAL  
PDF Format  
R&D



TECHNICAL SPECIFICATONS:

1. Threaded stud torque limits:  
(M6):8 N.M;(M8):13.4 N.M
2. Signal connector: C200003643; crimp 0.5 sq mm wire.
3. Mounting surface thickness: 5mm MAX.

Mating & un-mating force	<100N	
Temperature range	-40°C~+125°C	
Storage temperature	-40°C~+85°C	
Ambient temperature	-40°C~+70°C	
Rated current	Rated Max.:350A Peak:400A	+
Rated voltage	1500V DC	+
Withstanding voltage	>2500V AC	
Insulation resistance	>100MΩ	+
Durability	>500 Cycles	◎
IP-Class	IP67;IP69k(Mated )	+
Humidity	40%~70% (23±5~C)	
Housing Material	PA66+GF	
Flammability	UL-94V0	
RoHS	RoHS	+
DESCRIPTION	PARAMETER	SYMBOL

DIMENSIONS	TOLERANCES	PROJECTION
ANSI Y14.5M	.X ±1	
UNITS: MM	.XX ±0.5	
CAD FILE	ANGLES ±0.5°	
ORIGINAL	THIS DOCUMENT CONTAINS PROPRIETARY INFORMATION WHICH IS THE CONFIDENTIAL PROPERTY OF AMPHENOL PCD SHENZHEN	

TITLE	Amphenol Pcd Shenzhen
ENGR	
CHKD	
APPD	

SIZE	DWG NO.	REV
A3	C_MSDXLF000F	C
CODE:	SCALE 1:1	SHEET 1 OF 1