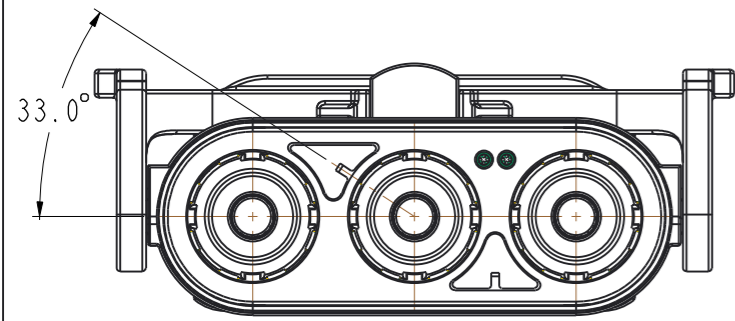
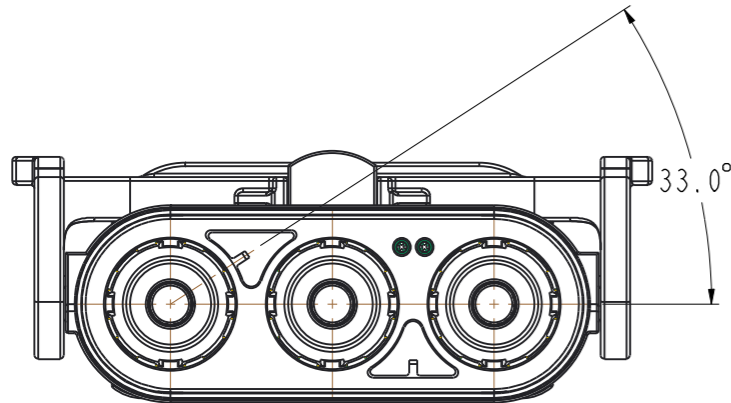


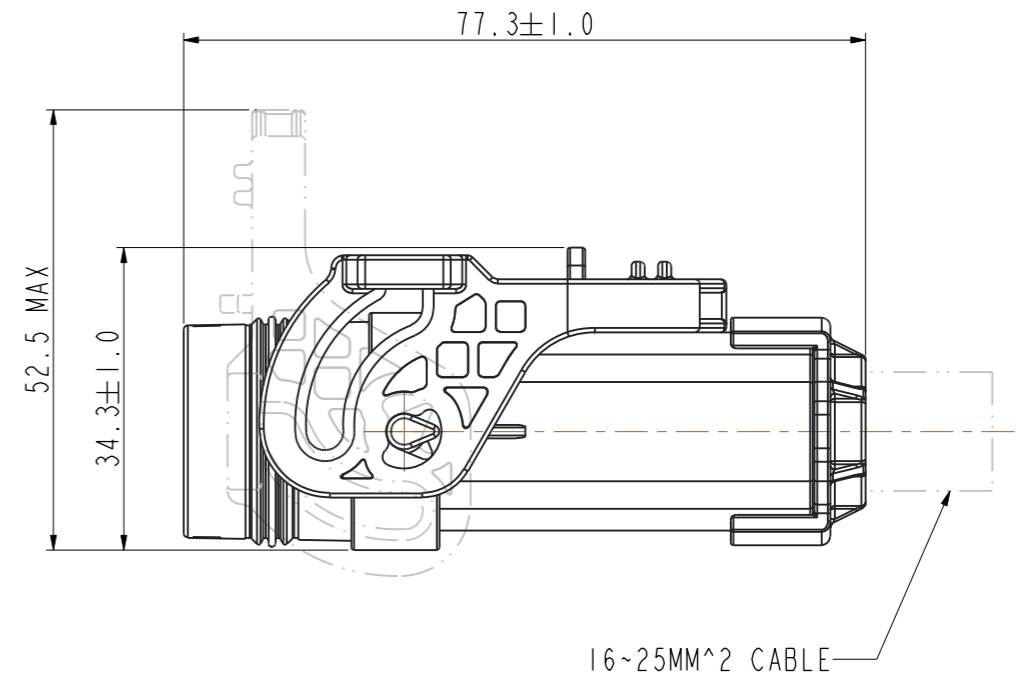
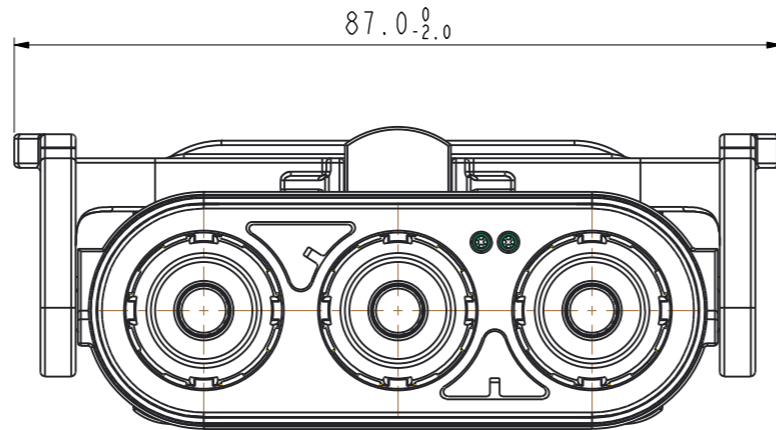
CUSTOMER DRAWING



HVSL5600 06 3A
CODING A



HVSL5600 06 3B
CODING B



HOW TO ORDER

HVSL5 600 06 3X X XX

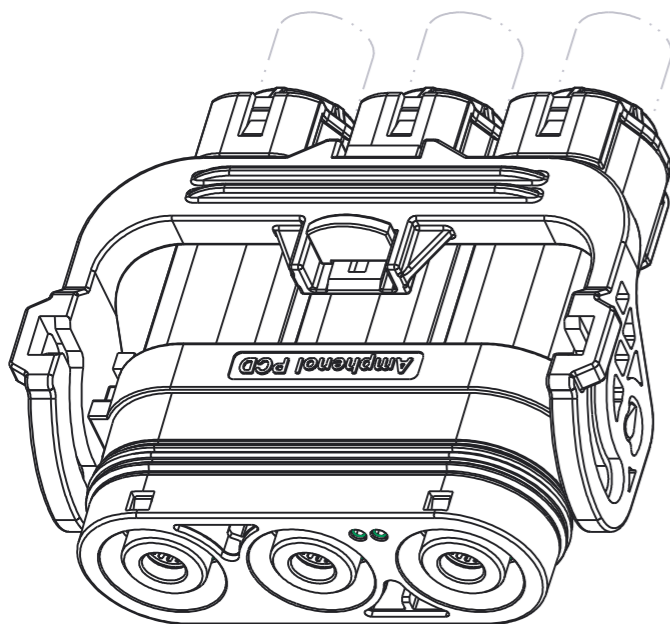
A: CODING A
B: CODING B

0: WITHOUT HVIL
1: WITH HVIL

25: CROSS-SECTION 25mm²
SHIELDED WIRE OD=11.9 ± 0.3mm
16: CROSS-SECTION 16mm²
SHIELDED WIRE OD=11.2 ± 0.25mm
25N: CROSS-SECTION 25mm²
UNSHIELDED WIRE OD=9.7 ± 0.3mm

NOTES:

- ELECTRONICAL CHARACTERISTICS:
HIGH VOLTAGE RATED 1000 V DC MAX.
CURRENT RATED 120 A MAX.
WITHSTANDING VOLTAGE 3000 V AC
PRODUCTS ARE COMPLIANCE WITH EN 60664-1 POLLUTION II
- ENVIRONMENT CHARACTERISTICS:
IP67 IP6K9K RATED (WHEN MATING)
IP2XB RATED FOR FINGER TOUCH-PROOF



DIMENSIONS ANSI Y14.5M UNITS: MM Pro/E FILE	TOLERANCES .X ±0.5 .XX ±0.25 ANGLES ±0.5°	PROJECTION 	TITLE HVSL5600 06 3X X XX STRAIGHT PLUG ASSEMBLY			
			SIZE A3	DWG NO. C-HVSL5600063XXXX	REV 2	
ORIGINAL	THIS DOCUMENT CONTAINS PROPRIETARY INFORMATION WHICH IS THE CONFIDENTIAL PROPERTY OF AMPHENOL PCD SHENZHEN		CHKD APPD	CODE: 58982	SCALE: 1:1	SHEET 1 OF 1