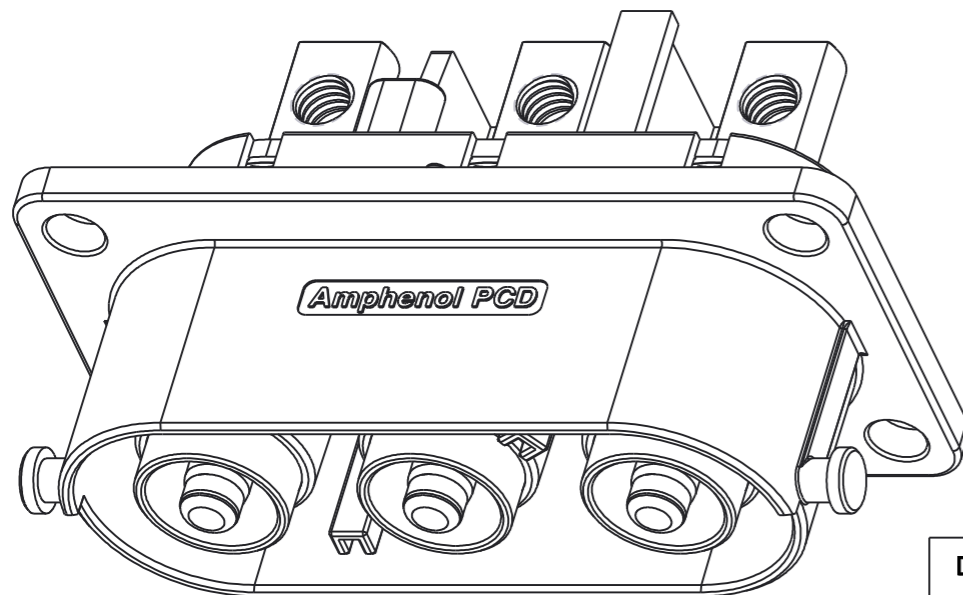
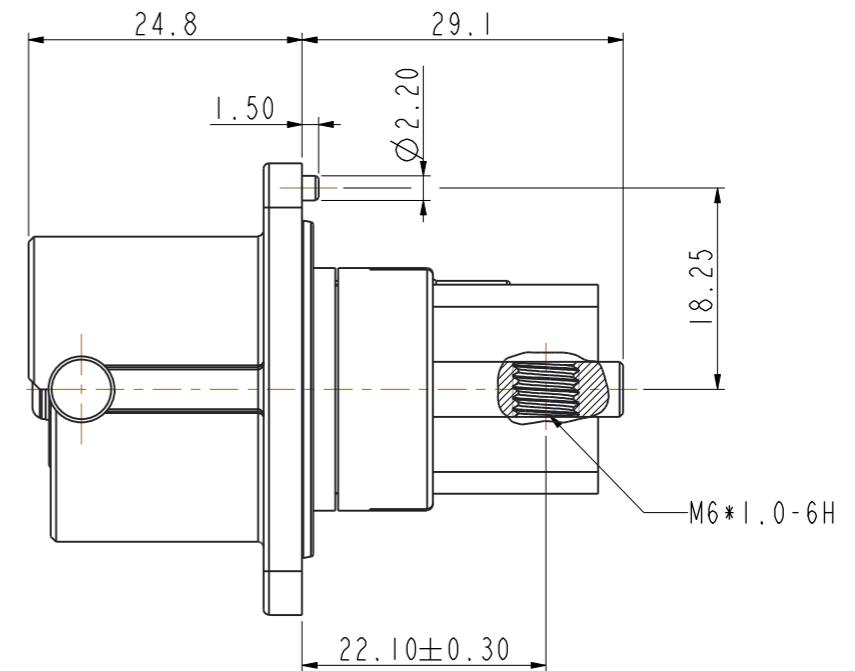
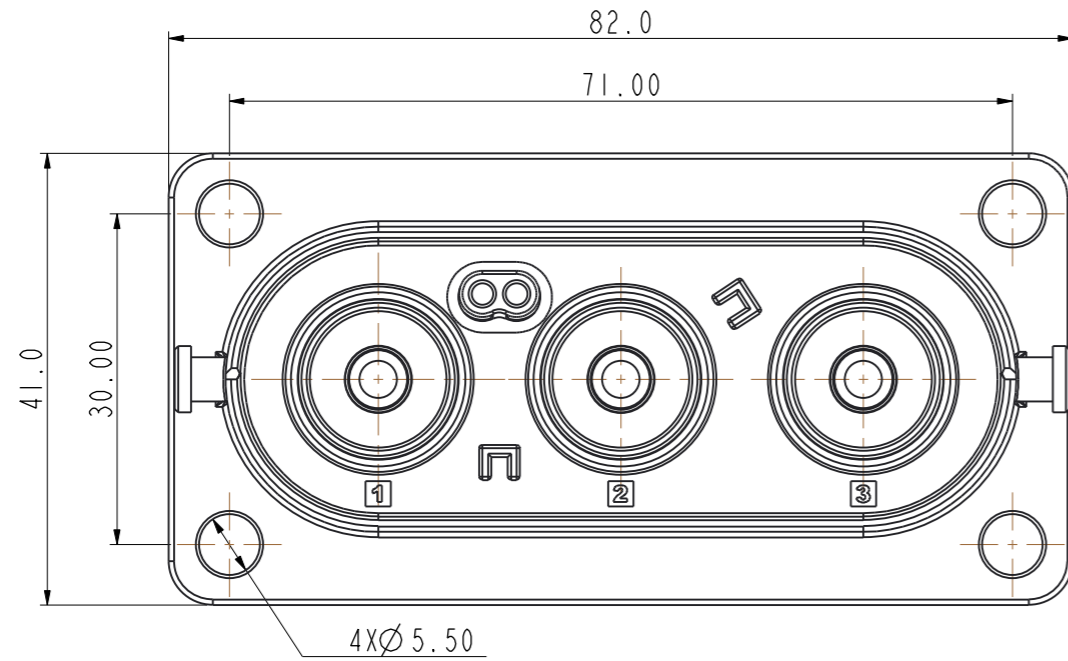


CUSTOMER DRAWING



HOW TO ORDER

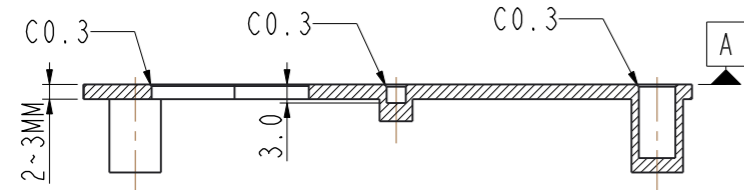
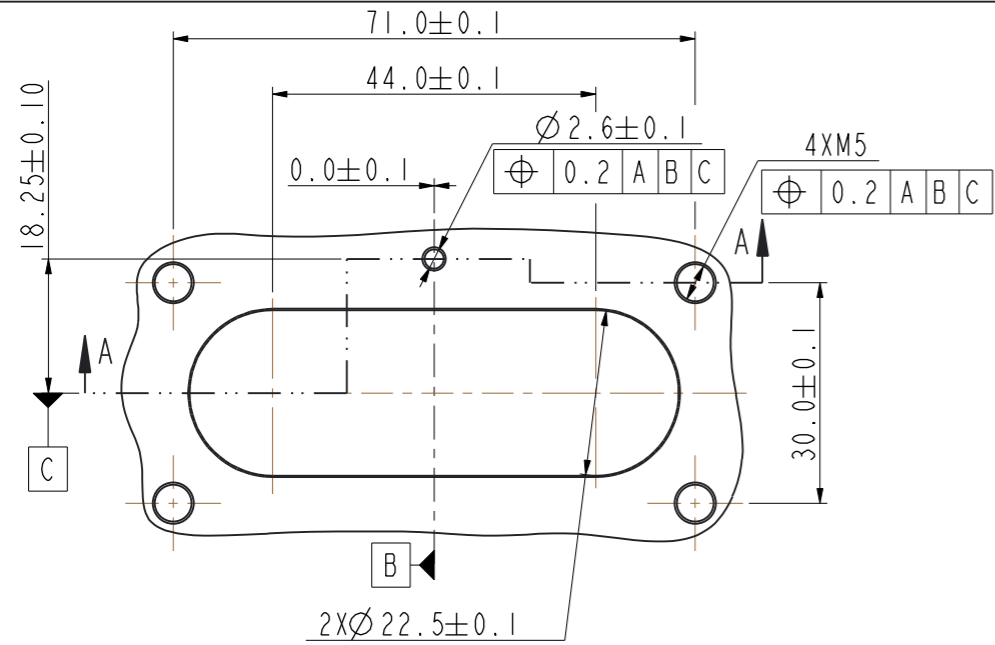
HVSL5 600 02 3X X XX

- A: CODING A
- B: CODING B
- 0: WITHOUT HVIL
- 1: WITH HVIL
- H6: STANDARD HOLE M6

NOTES:

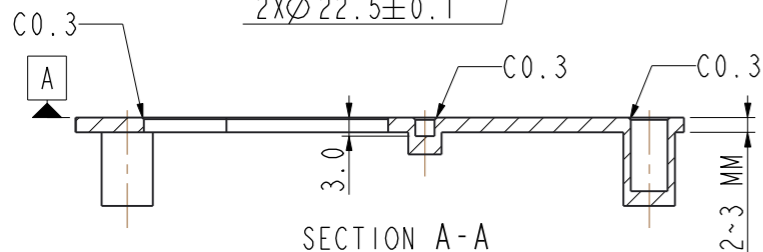
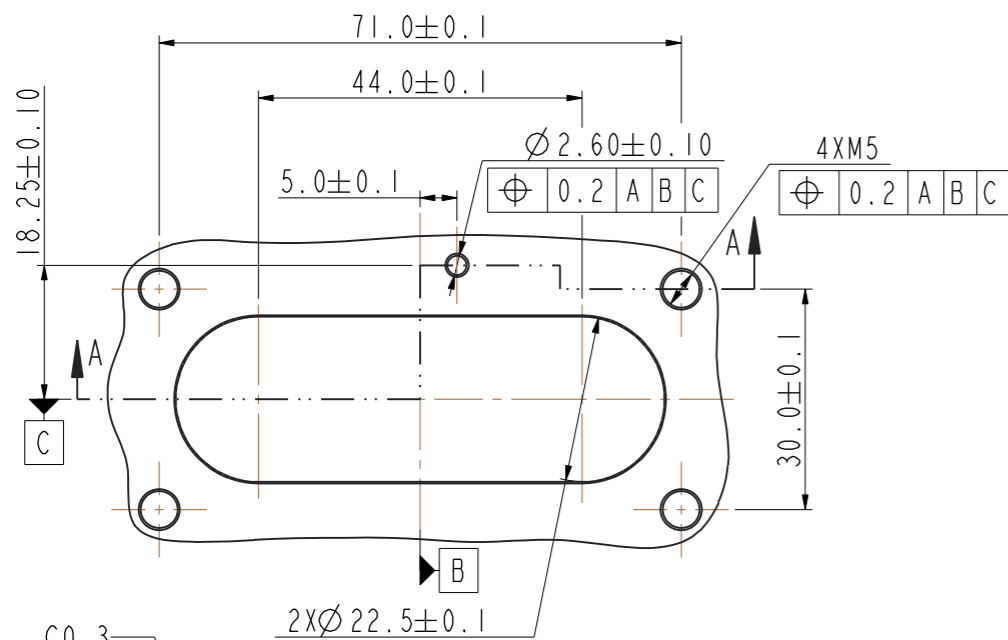
1. ELECTRICAL CHARACTERISTICS:
 HIGH VOLTAGE RATED 1000 V DC MAX.
 CURRENT RATED 120 A MAX.
 WITHSTANDING VOLTAGE 3000 V AC
 PRODUCTS ARE COMPLIANCE WITH EN 60664-1 POLLUTION II
2. ENVIROMENT CHARACTERISTICS:
 IP67 IP6K9K RATED (WHEN MATING)
 IP2XB RATED FOR FINGER TOUCH-PROOF

DIMENSIONS ANSI Y14.5M UNITS: MM Pro/E FILE	TOLERANCES X ±0.5 XX ±0.20 ANGLES ±0.5°	PROJECTION 	TITLE HVSL5600 02 3 X X XX RECEPTACLE ASSEMBLY		
			ORIGINAL	THIS DOCUMENT CONTAINS PROPRIETARY INFORMATION WHICH IS THE CONFIDENTIAL PROPERTY OF AMPHENOL PCD SHENZHEN	ENGR CHKD APPD
			CODE: 58982	SCALE: 3:2	SHEET 1 OF 2



SECTION A-A

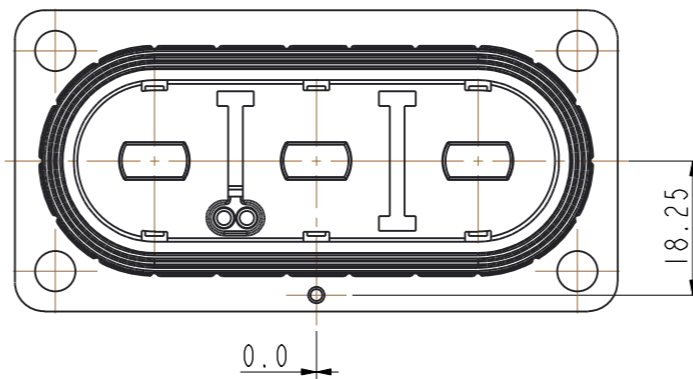
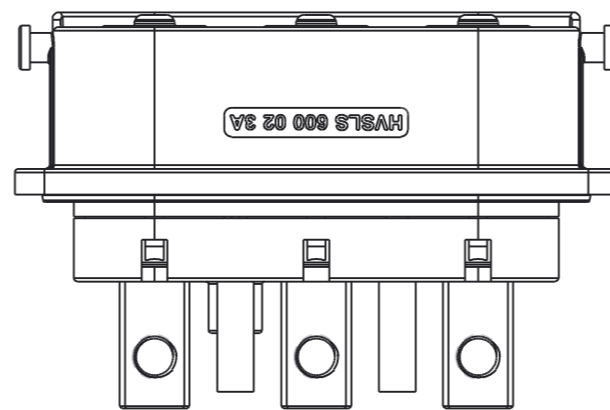
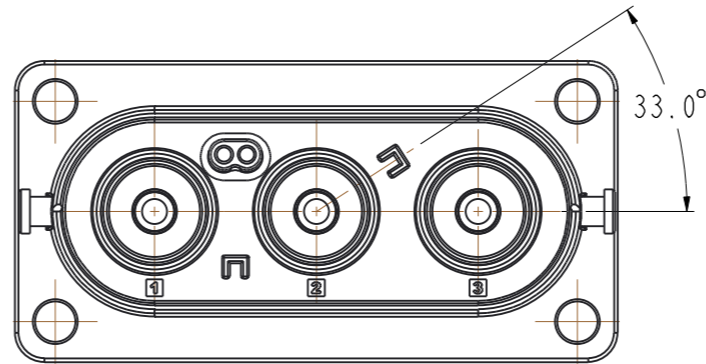
PANEL CUT-OUT REFERENCE FOR CODING A



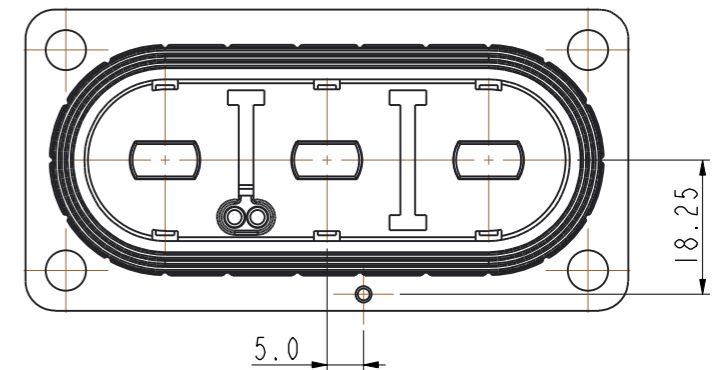
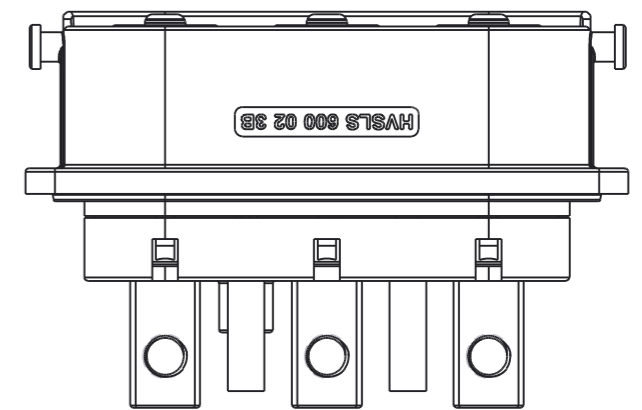
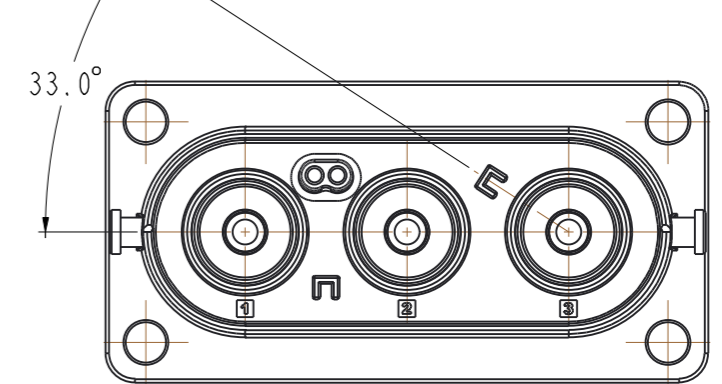
SECTION A-A

PANEL CUT-OUT REFERENCE FOR CODING B

HVSL5600 02 3A
CODING A



HVSL5600 02 3B
CODING B



SIZE A3	DWG NO. C-HVSL5600023XXXX	REV 2
CODE: 58982	SCALE: 3:2	SHEET 2 OF 2