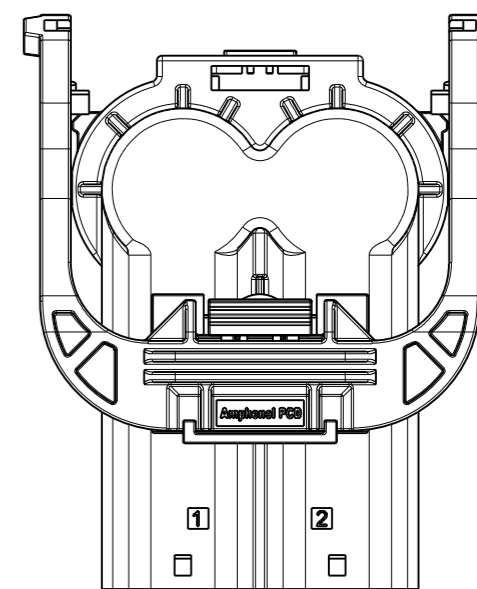
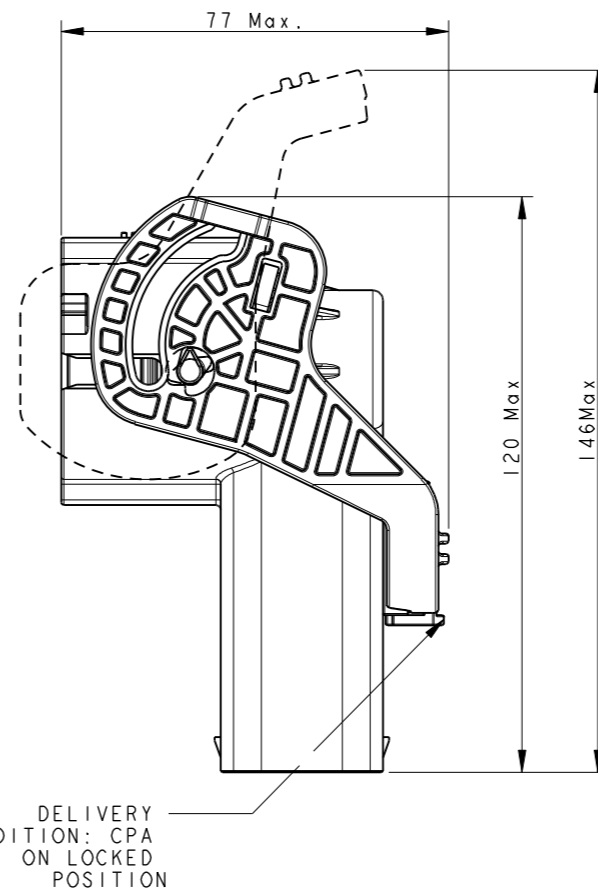
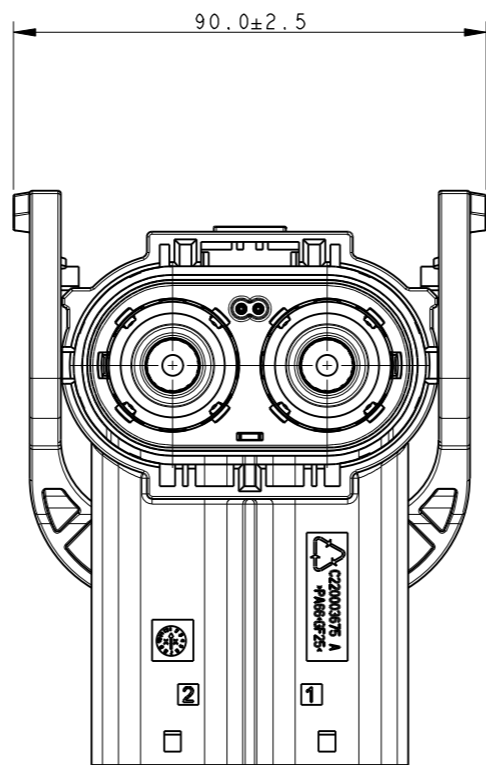
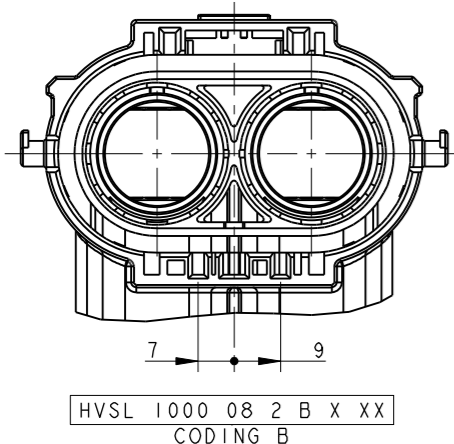
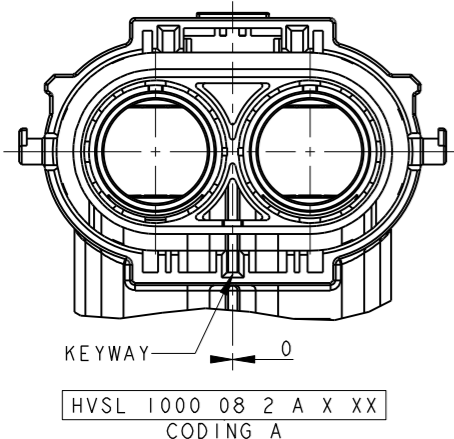


Amphenol PCDSZ  
**ORIGINAL**  
PDF Format  
R&D



DELIVERY  
CONDITION: CPA  
ON LOCKED  
POSITION

5. TECHNICAL DATA TABLE

CURRENT RATE (25-70MM <sup>2</sup> SHIELD CABLE)	25mm <sup>2</sup> : 120A 35mm <sup>2</sup> : 150A 50mm <sup>2</sup> : 180A 70mm <sup>2</sup> : 250A	✦
UL RATING VOLTAGE (OVERVOLTAGE CATEGORY II POLLUTION DEGREE 2)	1000V DC	✦
OPERATING TEMPERATURE	-40~125°C	✦
DIELECTRIC WITH STANDING VOLTAGE	3000V AC	✦
INSULATION RESISTANCE	2000MΩ MIN. 25°C, NO CABLE	✦
DURABILITY	50 CYCLES	◎
SHIELDING	YES	◎
WATERPROOF(MATED CONDITION)	IP 67, IP6K9K	✦
PROTECTION LEVEL	IP2XB	✦
AMBIENT TEMPERATURE	-40~70°C	

NOTES:

1. MATERIAL & FINISH:  
PLASTIC BODY: THERMOPLASTICS UL 94V-0 ORANGE COLOR  
SOCKET CONTACT: COPPER ALLOY SILVER PLATED  
SHIELDING: COPPER ALLOY TIN PLATED  
FERRULE: STAINLESS STEEL  
CABLE SEAL: SILICONE RUBBER
2. DELIVERY WITHOUT CONTACTS. THE CONTACTS SHOULD BE ORDERED SEPARATELY.
3. SEE APCD-TD-073 FOR ASSEMBLY INSTRUCTION.
4. P/N INSTRUCTIONS

HOW TO ORDER

HVSL 1000 08 2X X XX

CODE:

- A: CODING A  
B: CODING B

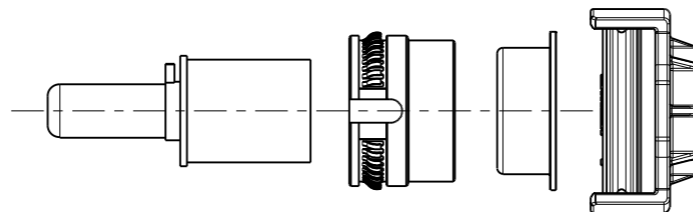
HVIL

- 0: WITHOUT IL  
1: WITH IL

CABLE SIZE

- 70: FOR CRIMP 70mm<sup>2</sup> WIRE OD=19.0±0.7mm  
50: FOR CRIMP 50mm<sup>2</sup> WIRE OD=16.5±0.4mm  
35: FOR CRIMP 35mm<sup>2</sup> WIRE OD=14.2±0.4mm  
25: FOR CRIMP 25mm<sup>2</sup> WIRE OD=11.9±0.3mm

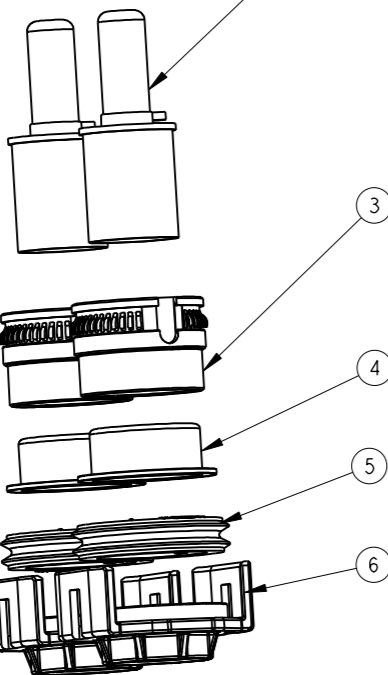
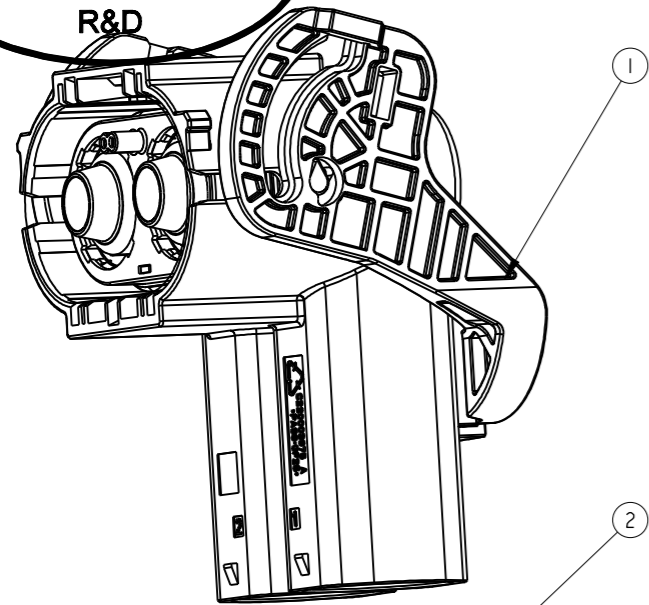
- ✦ CRITICAL CHARACTERISTIC MARKS / 关键特性符号  
◎ IMPORTANT CHARACTERISTIC MARKS / 重要特性符号



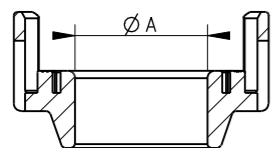
KIT OF PIN and ACCESSORIES

DIMENSIONS	TOLERANCES	PROJECTION	TITLE		
ANSI Y14.5M UNITS: MM Pro/E FILE	.X ±0.3 .XX ±0.20 ANGLES ±2.0°	 ENGR	XXXXXXXXXXXXXXXXXXXXXXXXXXXXXXXX HVSL 1000 08 2 X X XX R/A PLUG ASSEMBLY	SIZE A3	DWG NO. C-HVSL1000082XXXX
ORIGINAL	THIS DOCUMENT CONTAINS PROPRIETARY INFORMATION WHICH IS THE CONFIDENTIAL PROPERTY OF AMPHENOL PCD SHENZHEN		CHKD	REV	
NOT FOR CUSTOMER DISTRIBUTION			APPD	2	
			CODE: 58982	SCALE: 7:10	SHEET 1 OF 2

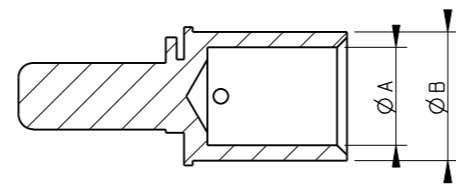
Amphenol PCDSZ  
ORIGINAL  
PDF Format  
R&D



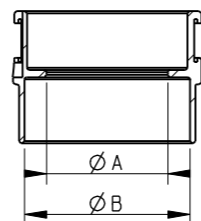
7. ASSEMBLY INDIVIDUAL COMPONENT DIMENSIONS SHOW



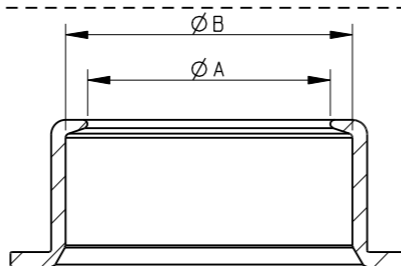
COMPONENT P/N	DIMENTION ØA	CABLE SIZE
C4220037254	21.0±0.2	70
C4220037251	18.0±0.2	50
C4220037252	15.0±0.2	35
C4220037253	13.5±0.2	25



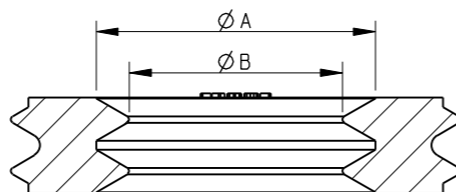
COMPONENT P/N	DIMENTION ØA	DIMENTION ØB	CABLE SIZE
C4200036311	13.3±0.2	17.5±0.2	70
C4200036312	10.3±0.2	14.3±0.2	50
C4200036313	8.5±0.2	12.0±0.2	35
C4200036314	7.2±0.2	9.5±0.2	25



COMPONENT P/N	DIMENTION ØA	DIMENTION ØB	CABLE SIZE
C4200036331	16.5±0.2	22.5±0.2	70
C4200036332	15±0.2	20.5±0.2	50
C4200036333	12.6±0.2	17.5±0.2	35
C4200036333	12.6±0.2	17.5±0.2	25



COMPONENT P/N	DIMENTION ØA	DIMENTION ØB	CABLE SIZE
C4200036321	16.5±0.2	19.5±0.2	70
C4200036322	15.0±0.2	17.5±0.2	50
C4200036323	12.6±0.2	14.5±0.2	35
C4200036324	11.0±0.2	13.0±0.2	25



COMPONENT P/N	DIMENTION ØA	DIMENTION ØB	CABLE SIZE
C4270036044	21.5±0.2	17.0±0.2	70
C4270036041	19.0±0.2	14.5±0.2	50
C4270036042	17.6±0.2	13.2±0.2	35
C4270036043	15.5±0.2	11.0±0.2	25

6. ASSEMBLY AND DETAIL HVSL1000062 SERIES BOM LIST SHOW

6.1 DETAIL EX SERIES BOM LIST

ITEM	QTY	P/N	QTY	DESCRIPTION
6	2	C4220037253	2	END CAP
5	2	C4270036043	2	SEAL
4	2	C4200036324	2	INNER FERRULE
3	2	C4200036333	2	SHIELDING ADAPTER
2	2	C4200036314	2	PIN CONTACT
1	1	HVSL1000082XX	1	MAIN BODY(X:A,B,C KEYS) HVIL(0,1)

ITEM	QTY	P/N	QTY	DESCRIPTION
6	2	C4220037252	2	END CAP
5	2	C4270036042	2	SEAL
4	2	C4200036323	2	INNER FERRULE
3	2	C4200036333	2	SHIELDING ADAPTER
2	2	C4200036313	2	PIN CONTACT
1	1	HVSL1000082XX	1	MAIN BODY(X:A,B,C KEYS) HVIL(0,1)

ITEM	QTY	P/N	QTY	DESCRIPTION
6	2	C4220037251	2	END CAP
5	2	C4270036041	2	SEAL
4	2	C4200036322	2	INNER FERRULE
3	2	C4200036332	2	SHIELDING ADAPTER
2	2	C4200036312	2	PIN CONTACT
1	1	HVSL1000082XX	1	MAIN BODY(X:A,B,C KEYS) HVIL(0,1)

ITEM	QTY	P/N	QTY	DESCRIPTION
6	2	C4220037254	2	END CAP
5	2	C4270036044	2	SEAL
4	2	C4200036321	2	INNER FERRULE
3	2	C4200036331	2	SHIELDING ADAPTER
2	2	C4200036311	2	PIN CONTACT
1	1	HVSL1000082XX	1	MAIN BODY(X:A,B,C KEYS) HVIL(0,1)
PART NUMBER	ITEAM	COMPONENT P/N	Q'TY	DESCRIPTION

SIZE <b>A3</b>	DWG NO. <b>C-HVSL1000082XXXX</b>	REV <b>2</b>
CODE: 58982	SCALE: 7:10	SHEET 2 OF 2

C-HVSL1000082XXXX

C-HVSL1000082XXXX