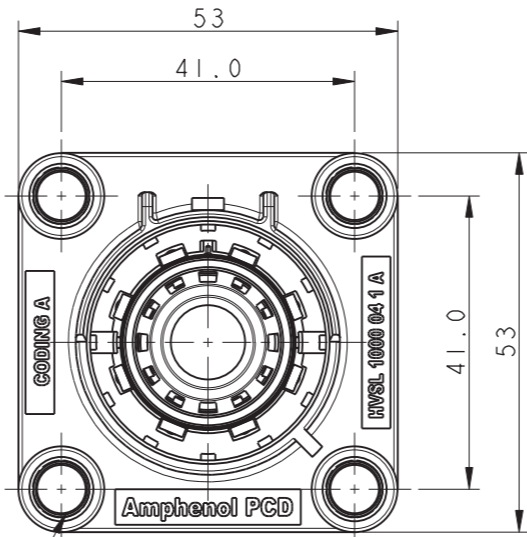
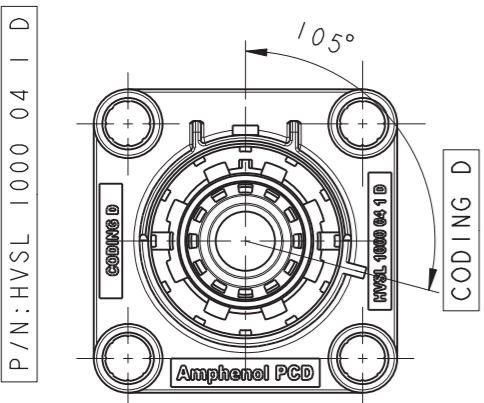
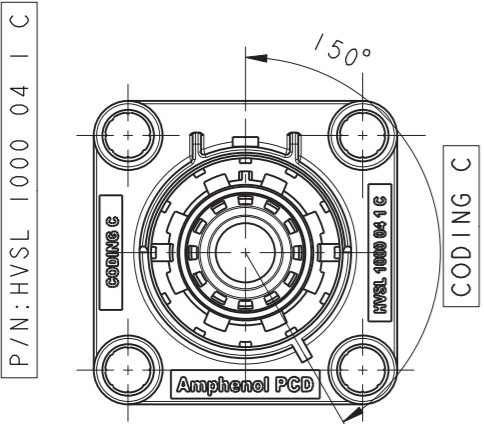
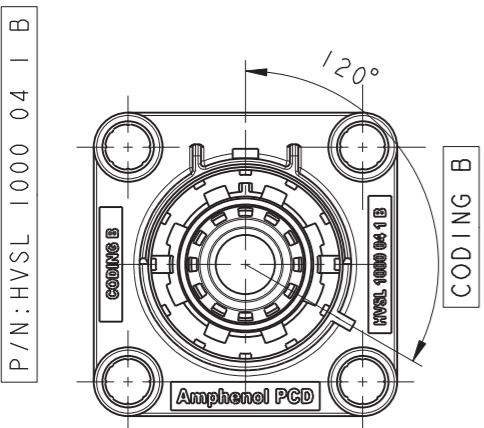
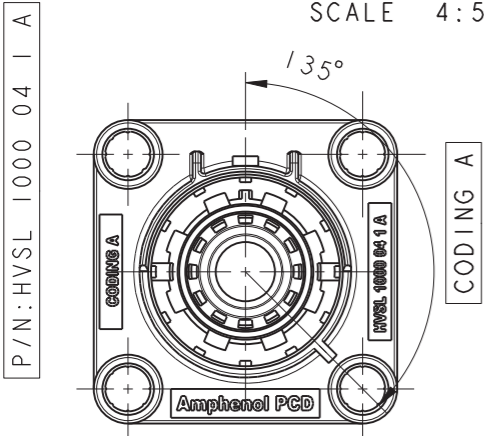
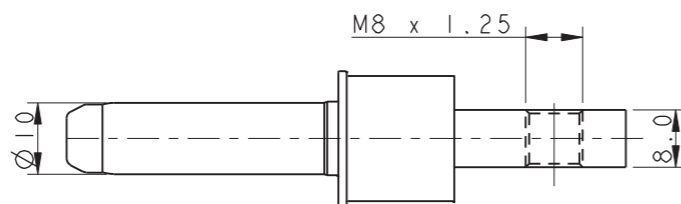
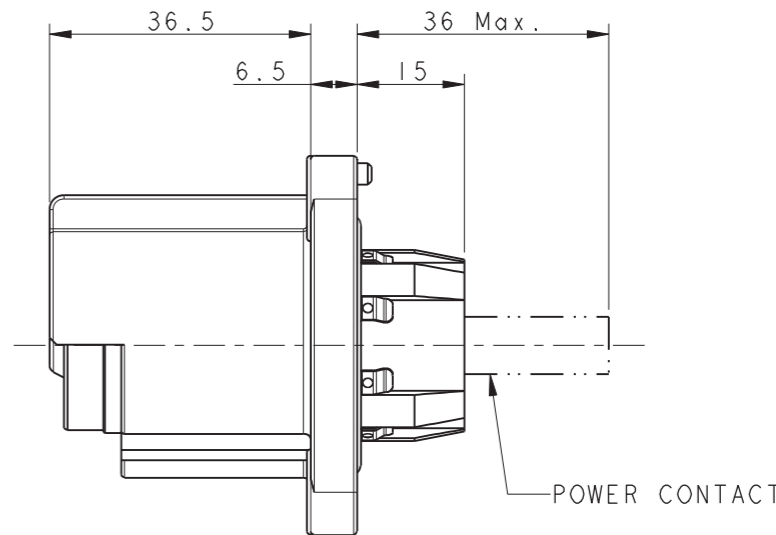


CUSTOMER DRAWING

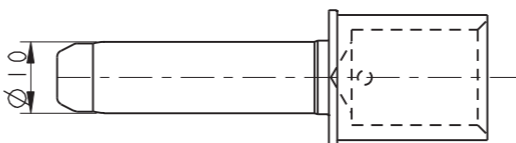
SCALE 4:5



M6 SCREW AND WASHER APPLICABLE



POWER CONTACT (THREAD FOR BUS-BAR)  
P/N: C4200036152



POWER CONTACT (CRIMP FOR WIRE)  
P/N: C42000361511 --70 mm<sup>2</sup> WIRE  
OD=19.0 ± 0.7MM  
C42000361512 --50 mm<sup>2</sup> WIRE  
OD=16.5 ± 0.4MM  
C42000361513 --35 mm<sup>2</sup> WIRE  
OD=14.2 ± 0.4MM  
C42000361514 --25 mm<sup>2</sup> WIRE  
OD=11.9 ± 0.3MM

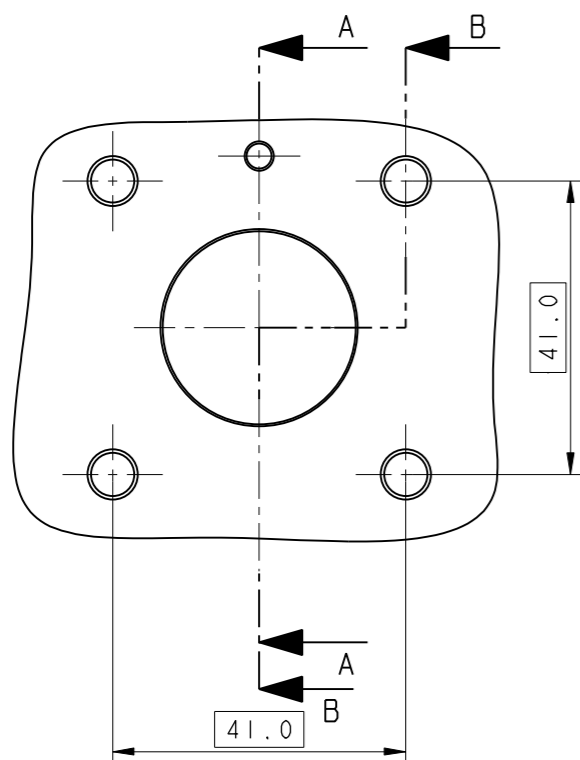
NOTES:

- MATERIAL & FINISH:  
PLASTIC BODY: THERMOPLASTICS UL 94V-0 ORANGE COLOR  
POWER CONTACT: COPPER ALLOY SILVER PLATED  
SHIELDING: COPPER ALLOY TIN PLATED  
RING: STAINLESS STEEL  
O-RING: SILICONE RUBBER
- ELECTRONICAL CHARACTERISTICS:  
HIGH VOLTAGE RATED 1000 V DC MAX.  
CURRENT RATED 250 A MAX.  
WITHSTANDING VOLTAGE 3000 V AC  
PRODUCTS ARE COMPLIANCE WITH EN 60664-1 POLLUTION II
- ENVIRONMENT CHARACTERISTICS:  
IP67 IP6K9K RATED (WHEN MATING)  
IP2XB RATED FOR FINGER TOUCH-PROOF
- DELIVERY WITHOUT CONTACTS. THE CONTACTS SHOULD BE ORDERED SEPARATELY.
- SEE APCD-TD-049 FOR ASSEMBLY INSTRUCTION.

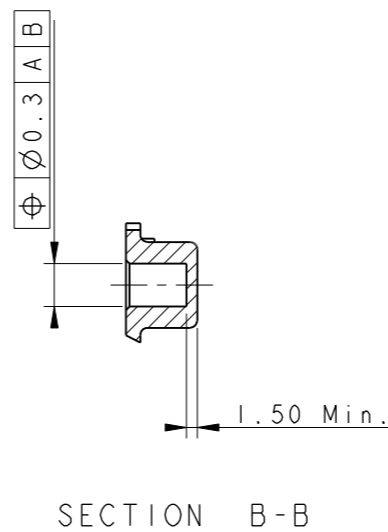
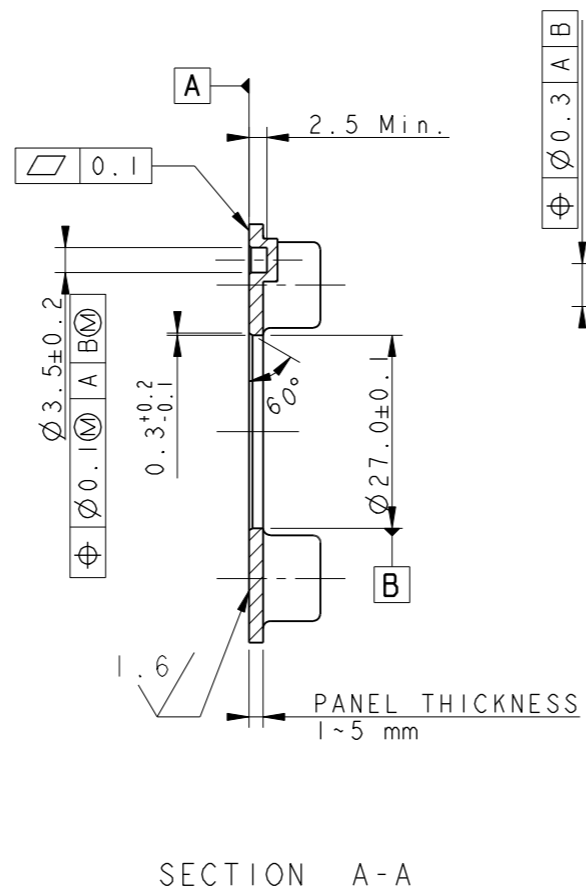
<b>DIMENSIONS</b> ANSI Y14.5M UNITS: MM Pro/E FILE	<b>TOLERANCES</b> X ±0.2 XX ±0.10 ANGLES ±0.5°	<b>PROJECTION</b> 	TITLE HVSL 1000 04 1 X ASSEMBLY			
			ENGR			
<b>ORIGINAL</b> NOT FOR CUSTOMER DISTRIBUTION	THIS DOCUMENT CONTAINS PROPRIETARY INFORMATION WHICH IS THE CONFIDENTIAL PROPERTY OF AMPHENOL PCD SHENZHEN	CHKD		SIZE <b>A3</b>	DWG NO. <b>C-HVSL1000041X</b>	REV <b>2</b>
		APPD		CODE: 58982	SCALE: 1:1	SHEET 1 OF 2

C-HVSL1000041X

C-HVSL1000041X

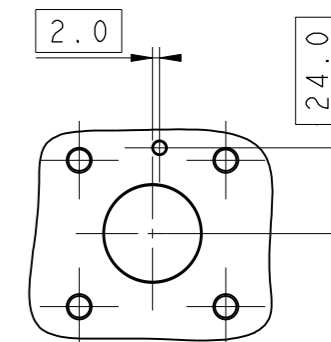
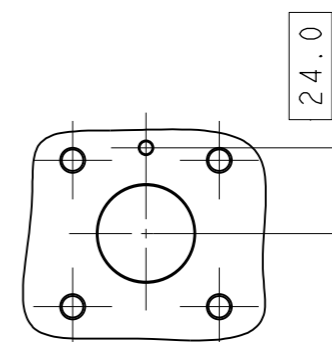


PANEL DRILLING



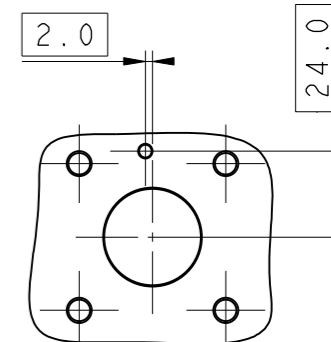
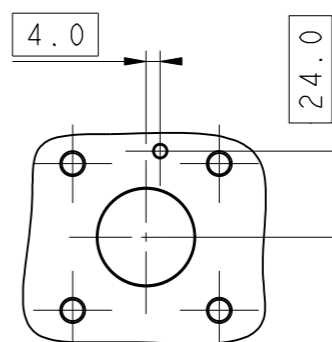
CODING A

CODING B



CODING C

CODING D



SIZE	DWG NO.	REV
A3	C-HVSL1000041X	2
CODE: 58982	SCALE: 1:1	SHEET 2 OF 2