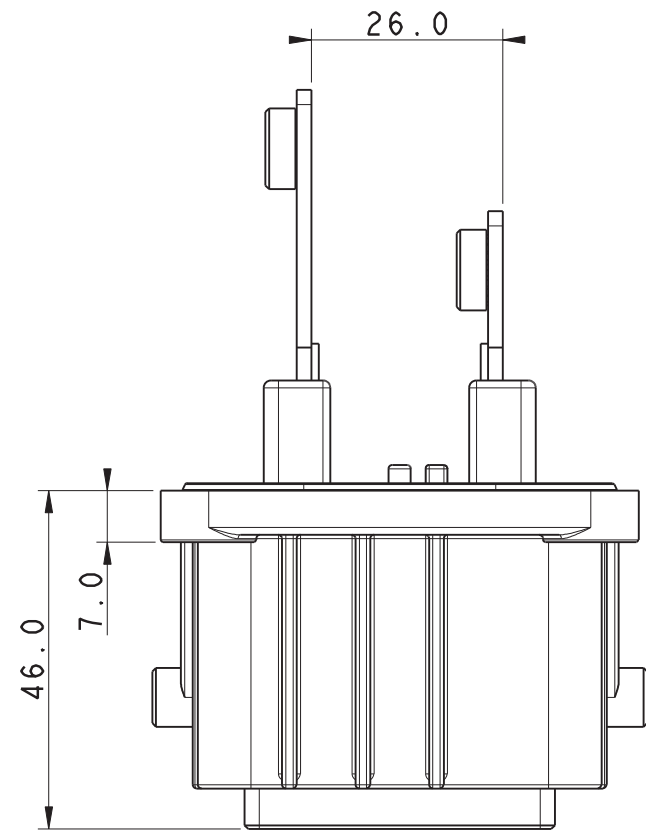
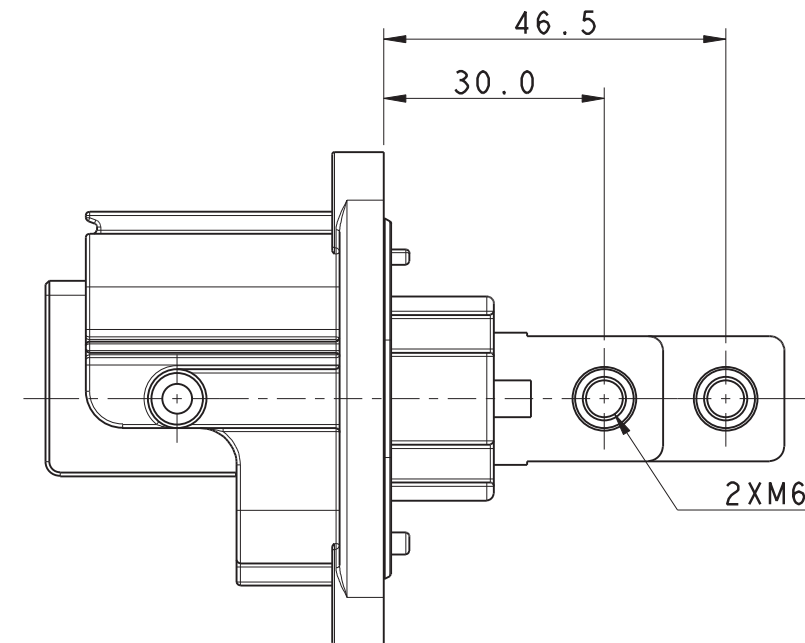
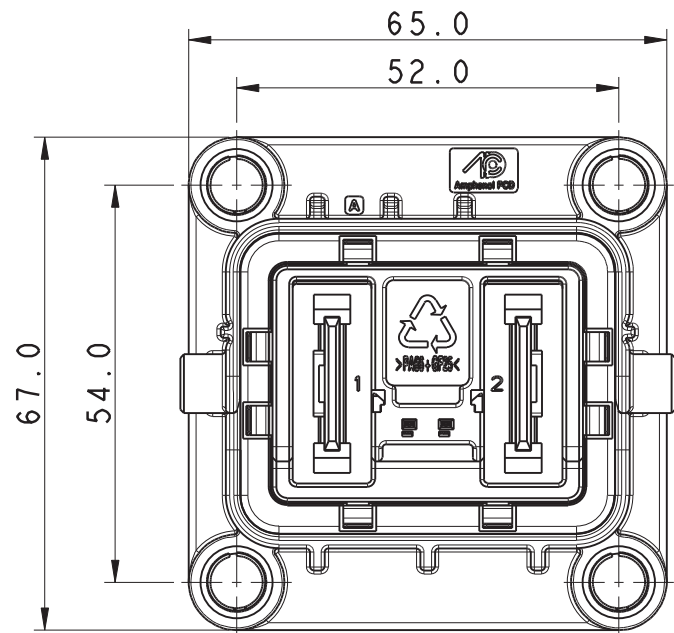


REV	ECN	DESCRIPTION	DATE	MODIFIED
V0-1		PRE-RELEASE	Oct-13-22	

Amphenol PCDSZ  
ORIGINAL  
PDF Format  
R&D



TECHNICAL DATA	
CURRENT RATE 50MM <sup>2</sup> WIRE	270A
CURRENT RATE 50MM <sup>2</sup> WIRE	220A
CURRENT RATE 35MM <sup>2</sup> WIRE	180A
VOLTAGE RATE	1000V DC
OPERRATING TEMPERATURE	-40-125°C
DIELECTRIC WITHSTANDING VOLTAGE	3000V AC
INSULATION RESISTANCE	100M $\Omega$
DURABILITY	50 CYCLES
SHIELDING	YES
WATERPROOF	IP67 IP6K9K
CORROSION-PROFF GRADE(SALT FOG TEST)	96 HOURS
AMBIENT TEMPERATURE	-40-50°C



C-HVSLFB18022XXH6

C-HVSLFB18022XXH6

<b>DIMENSIONS</b> ANSI Y14.5M UNITS: MM Pro/E FILE	<b>TOLERANCES</b> .X $\pm 0.5$ .XX $\pm 0.05$ ANGLES $\pm 0.5$	<b>PROJECTION</b> 	Amphenol PCD Shenzhen ENGR Oct-13-22			TITLE <b>RECEPTACLE</b>		
			ORIGINAL	THIS DOCUMENT CONTAINS PROPRIETARY INFORMATION WHICH IS THE CONFIDENTIAL PROPERTY OF Amphenol PCD Shenzhen Co. Ltd. Amphenol PCD Shenzhen Co. Ltd RESERVES THE RIGHT TO CLARIFY THIS DRAWING			CHKD APPD	SIZE <b>A3</b>
			CODE: 58982	SCALE: 1:1	SHEET 1 OF 1			