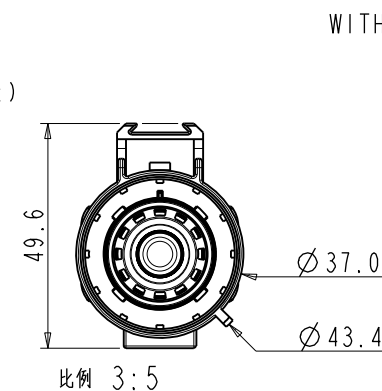
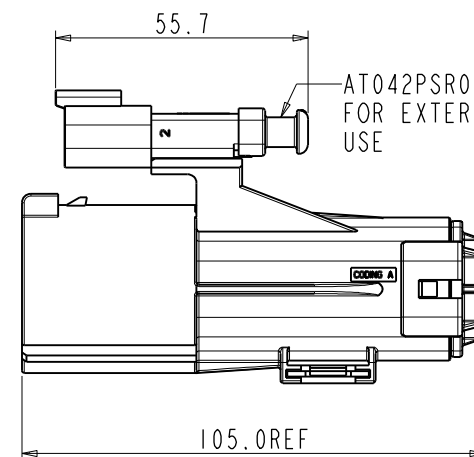
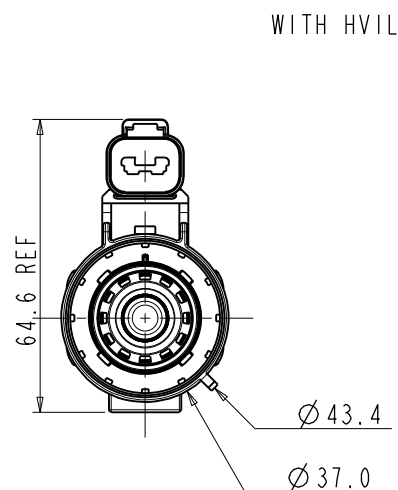
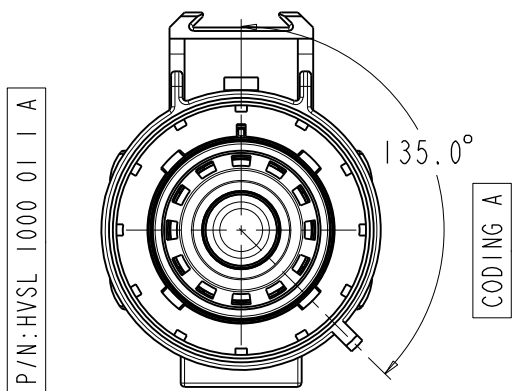
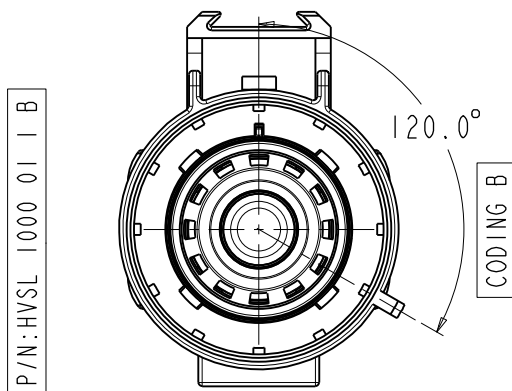
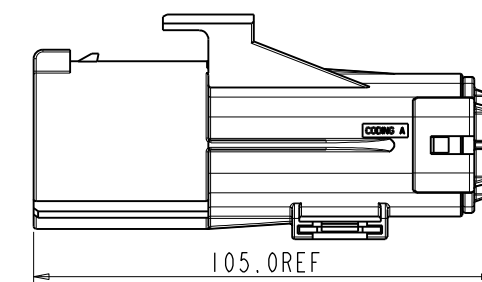


ORIGINAL
PDF Format
R&D

REV	ECN	DESCRIPTION	DATE	MODIFIED
1		RELEASE	Dec-21-17	
2	R3605W	CHANGE THE BOM	Aug-19-19	
3	C4612N	CORRECT SURFACE OF KEYS	Jul-30-20	
4	R7290W	CHANGE THE SHIELDING STRUCTURE	Jul-20-23	



WITHOUT HVIL



1. NOTES:

- (1). MATERIAL & FINISH:
 PLASTIC BODY: THERMOPLASTICS PA66+GF25 ORANGE
 POWER CONTACT: COPPER ALLOY SILVER PLATED
 HVIL CONTACTS: COPPER ALLOY NICKEL PLATED
 SHIELDING: COPPER ALLOY TIN PLATED
 O-RING: SILICONE RUBBER

(2). HVIL PIN FOR CABLE DIAMETER: 0.5mm²

2. PN INSTRUCTIONS:

HVSL1000 01 I X X XX

KEY OF CODING OPTION

- A: KEY A
 B: KEY B
 C: KEY C
 D: KEY D

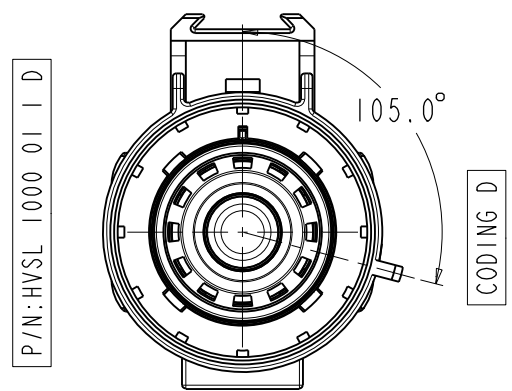
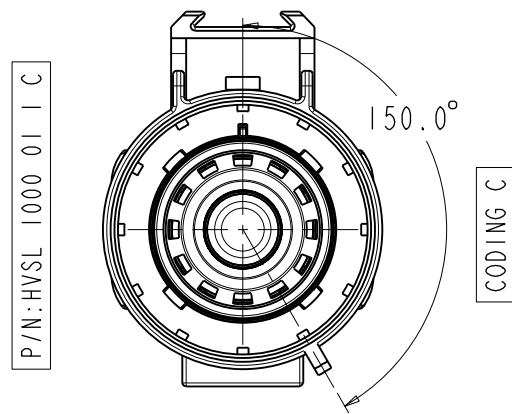
INTERLOCK OPTION

- 0: WITHOUT LOCK
 1: WHIT LOCK

KEY OF CODING OPTION

- 25: 25mm² WIRE OD=11.9±0.3MM
 35: 35mm² WIRE OD=14.2±0.4MM
 50: 50mm² WIRE OD=16.5±0.4MM
 70: 70mm² WIRE OD=19.0±0.5MM

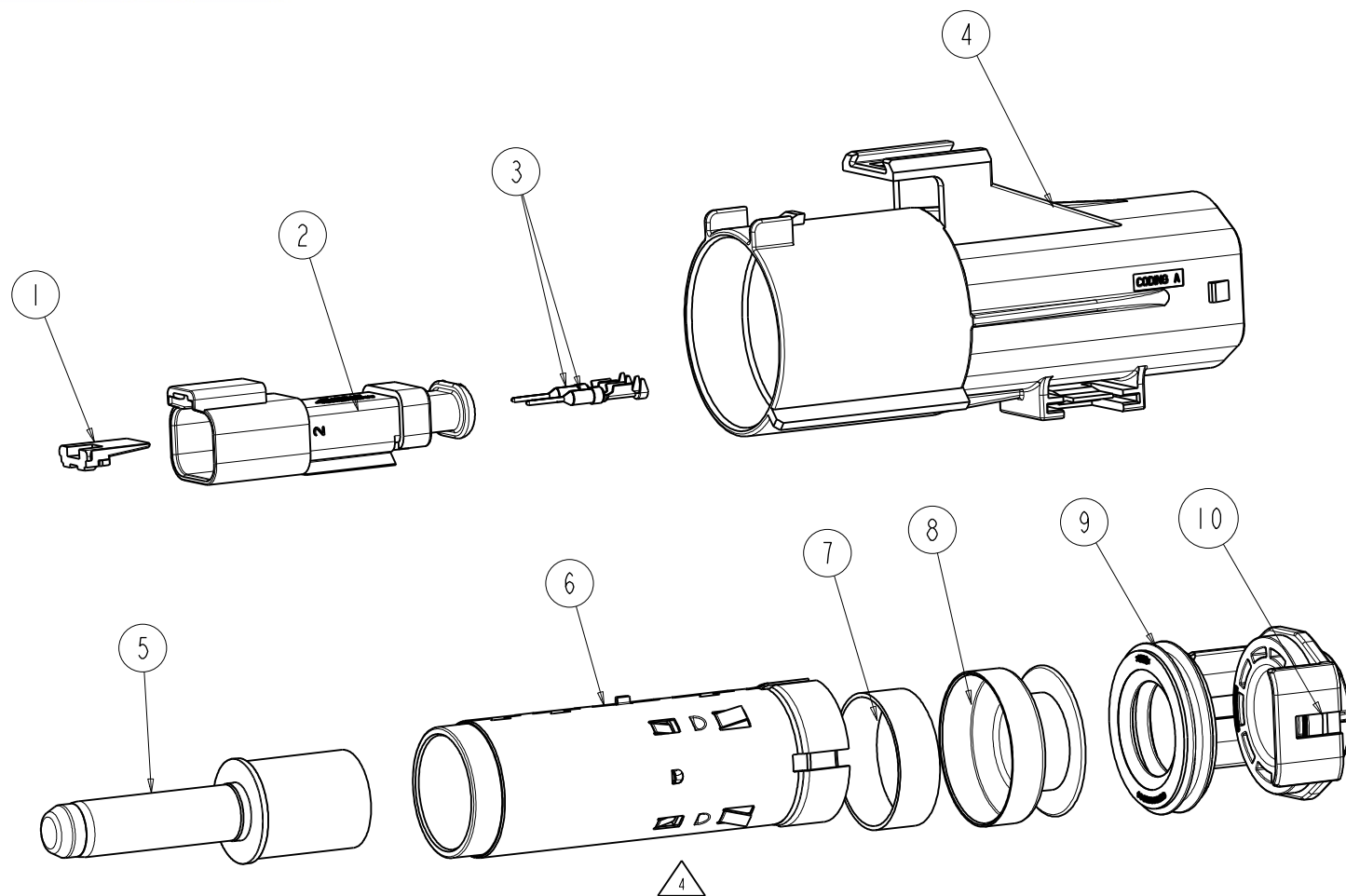
TECHNICAL DATA		RM
CURRENT RATE 25~70MM ² SHIELD CABLE	25mm ² : 120A @AMBIENT 70°C 35mm ² : 150A @AMBIENT 70°C 50mm ² : 180A @AMBIENT 70°C 70mm ² : 250A @AMBIENT 70°C	+
RATING VOLTAGE (OVERVOLTAGE CATEGORY II POLLUTION DEGREE 2)	1000V DC	+
OPERRATING TEMPERATURE	-40~125°C	
DIELECTRIC WITHSTANDING VOLTAGE	3000V AC(RMS)	+
INSULATION RESISTANCE	200 M Ω Min@25°C	+
DURABILITY	50 CYCLES	⊙
SHIELDING	YES	
WATERPRROF (MATED CONDITION)	IP67&IP6K9K	+
PROTECTION LEVEL	IP2XB	+
AMBIENT TEMPERATURE	-40~70°C	
RoHS & REACH	YES	+



DIMENSIONS	TOLERANCES	PROJECTION	TITLE		
ANSI Y14.5M UNITS: MM Pro/E FILE	.X ±0.5 .XX ±0.05 ANGLES ±2°		HVSL1000 011 X X XX IN-LINE RECEPTACLE ASSEMBLY		
ORIGINAL	THIS DOCUMENT CONTAINS PROPRIETARY INFORMATION WHICH IS THE CONFIDENTIAL PROPERTY OF Amphenol PCD Shenzhen Co. Ltd Amphenol PCD Shenzhen Co. Ltd RESERVES THE RIGHT TO CLARIFY THIS DRAWING	ENGR	SIZE	DWG NO.	REV
		APPD	A3	C-HVSL1000011XXXX	4
			SCALE: 1:1		SHEET 1 OF 3

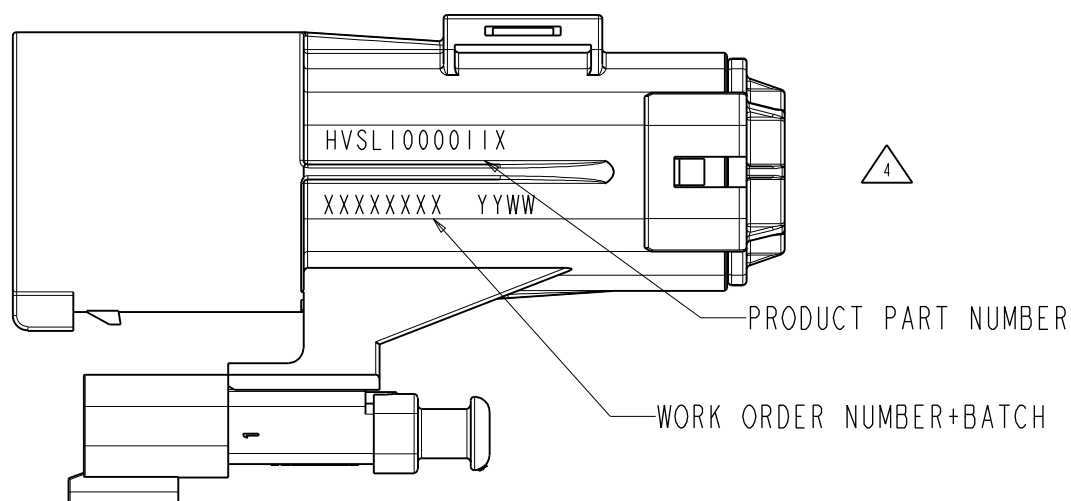
C-HVSL1000011XXXX

C-HVSL1000011XXXX



比例 4:5

HVSL1000011 X I XX
"X"=A,B,C,D
"XX"=25/35/50/70



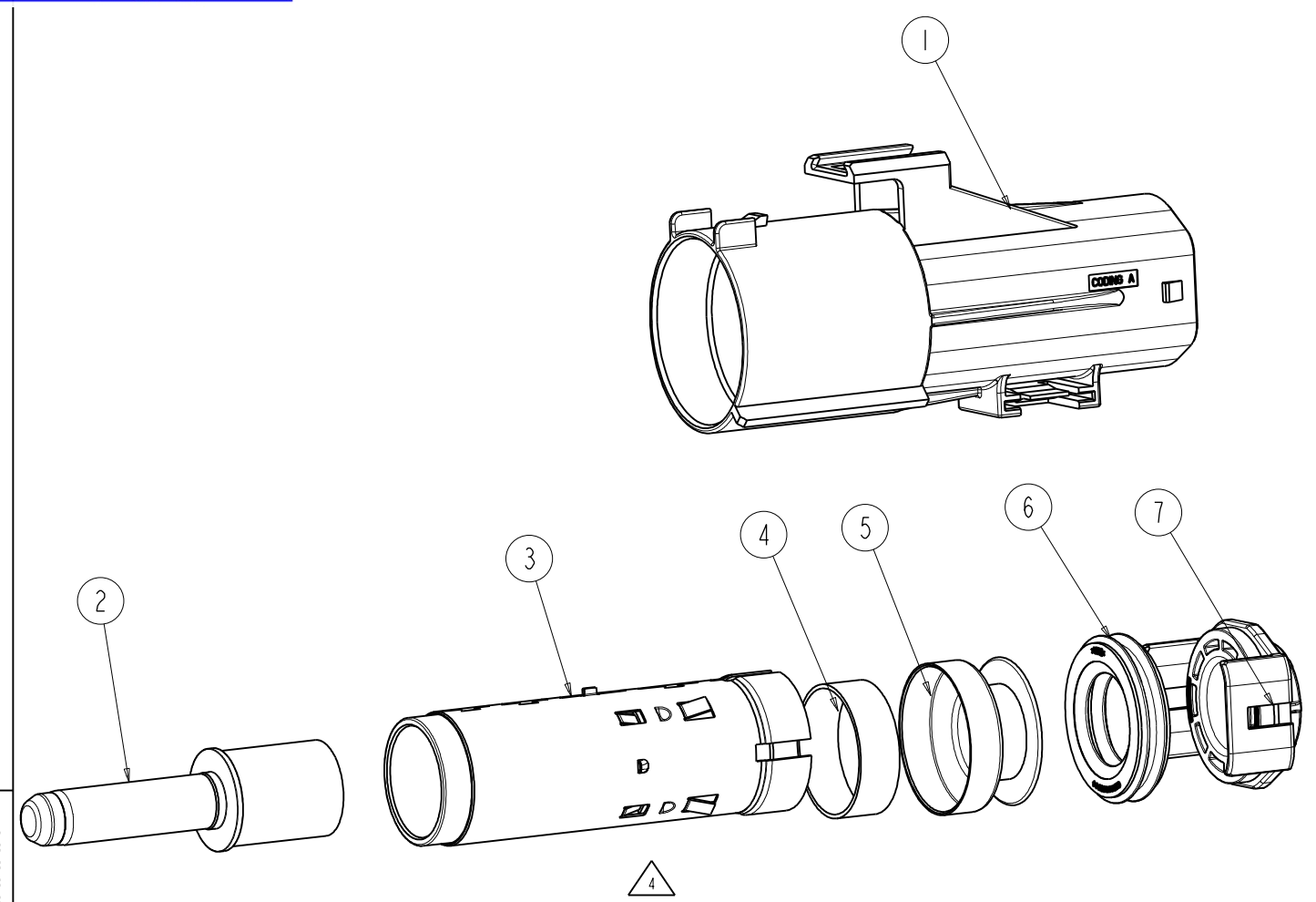
C2200036451	KEY A
C2200036452	KEY B
C2200036453	KEY C
C2200036454	KEY D

ITEM	P/N	Q'ty	REMARK	DESCRIPTION
10	C2200037254	1	70mm ²	END CAP-2(CABLE OD:19.0 ± 0.3mm)
	C2200037251	1	50mm ²	END CAP-2(CABLE OD:16.5 ± 0.3mm)
	C2200037252	1	35mm ²	END CAP-2(CABLE OD:14.2 ± 0.3mm)
	C2200037253	1	25mm ²	END CAP-2(CABLE OD:11.9 ± 0.3mm)
9	C2700036044	1	70mm ²	CABLE SEAL(CABLE OD:19.0 ± 0.3mm)
	C2700036041	1	50mm ²	CABLE SEAL(CABLE OD:16.5 ± 0.3mm)
	C2700036042	1	35mm ²	CABLE SEAL(CABLE OD:14.2 ± 0.3mm)
	C2700036043	1	25mm ²	CABLE SEAL(CABLE OD:11.9 ± 0.3mm)
8	C2000036141	1	70mm ²	OUT FERRULE(CABLE OD:19.0 ± 0.3mm)
	C2000036142	1	50mm ²	OUT FERRULE(CABLE OD:16.5 ± 0.3mm)
	C2000036143	1	35mm ²	OUT FERRULE(CABLE OD:14.2 ± 0.3mm)
	C2000036144	1	25mm ²	OUT FERRULE(CABLE OD:11.9 ± 0.3mm)
7	C200003617	1	ALL	INNER FERRULE
6	C531003621	1	ALL	SHIELDING COMPONENT
5	C42000361511	1	70mm ²	PIN CONTACT BODY
	C42000361512	1	50mm ²	
	C42000361513	1	35mm ²	
	C42000361514	1	25mm ²	
4	C220003645X	1	KEYS	MAIN BODY
3	AT60160622	2	ALL	SIGNAL PIN
2	AT042PSR02BLK	1	ALL	SIGNAL BODY
1	AW2P	1	ALL	END CAP-1

SIZE	DWG NO.	REV
A3	C-HVSL1000011XXXX	4
SCALE: 1:1		SHEET 2 OF 3

C-HVSL1000011XXXX

C-HVSL1000011XXXX



比例 4:5

HVSL1000011 X 0 XX
"X"=A,B,C,D
"XX"=25/35/50/70

ITEM	P/N	Q'ty	REMARK	DESCRIPTION
7	C2200037254	1	70mm ²	END CAP-2(CABLE OD:19.0 ± 0.3mm)
	C2200037251	1	50mm ²	END CAP-2(CABLE OD:16.5 ± 0.3mm)
	C2200037252	1	35mm ²	END CAP-2(CABLE OD:14.2 ± 0.3mm)
	C2200037253	1	25mm ²	END CAP-2(CABLE OD:11.9 ± 0.3mm)
6	C2700036044	1	70mm ²	CABLE SEAL(CABLE OD:19.0 ± 0.3mm)
	C2700036041	1	50mm ²	CABLE SEAL(CABLE OD:16.5 ± 0.3mm)
	C2700036042	1	35mm ²	CABLE SEAL(CABLE OD:14.2 ± 0.3mm)
	C2700036043	1	25mm ²	CABLE SEAL(CABLE OD:11.9 ± 0.3mm)
5	C2000036141	1	70mm ²	OUT FERRULE(CABLE OD:19.0 ± 0.3mm)
	C2000036142	1	50mm ²	OUT FERRULE(CABLE OD:16.5 ± 0.3mm)
	C2000036143	1	35mm ²	OUT FERRULE(CABLE OD:14.2 ± 0.3mm)
	C2000036144	1	25mm ²	OUT FERRULE(CABLE OD:11.9 ± 0.3mm)
4	C200003617	1	ALL	INNER FERRULE
3	C531003621	1	ALL	SHIELDING COMPONENT
2	C42000361511	1	70mm ²	PIN CONTACT BODY
	C42000361512	1	50mm ²	
	C42000361513	1	35mm ²	
	C42000361514	1	25mm ²	
1	C220003645X	1	KEYS	MAIN BODY
ITEM	P/N	Q'ty	REMARK	DESCRIPTION

C220003645X SELECTION:

C2200036451	KEY A
C2200036452	KEY B
C2200036453	KEY C
C2200036454	KEY D

C-HVSL1000011XXXX

C-HVSL1000011XXXX