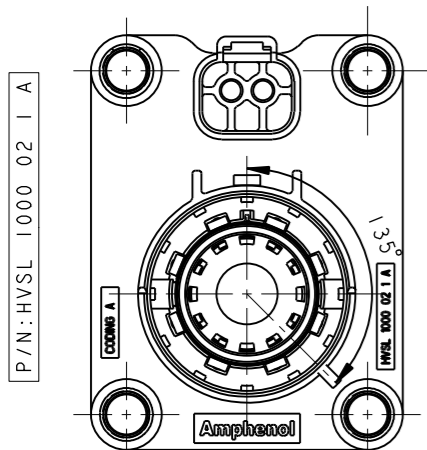
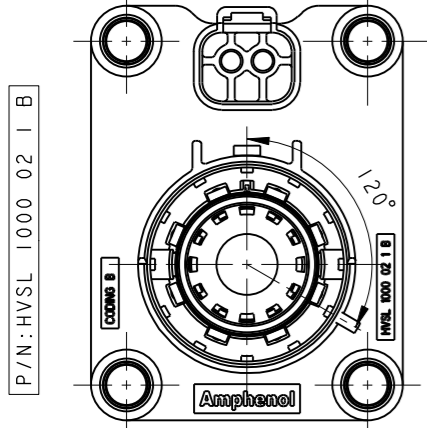


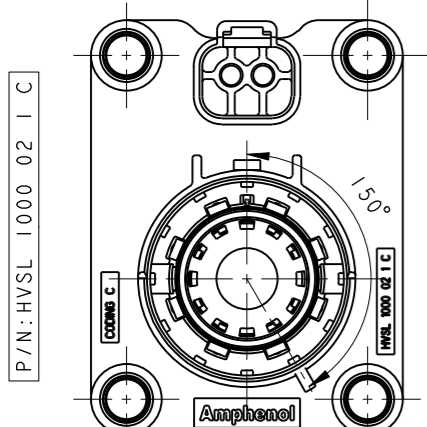
REV	ECN	DESCRIPTION	DATE	MODIFIED
1		RELEASE	16/08/19	



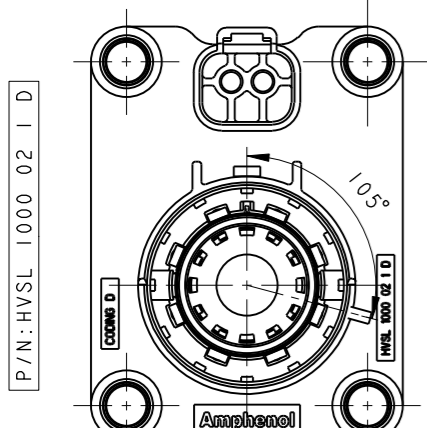
CODING A



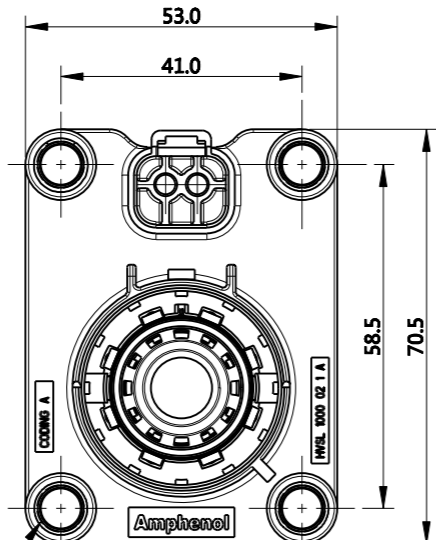
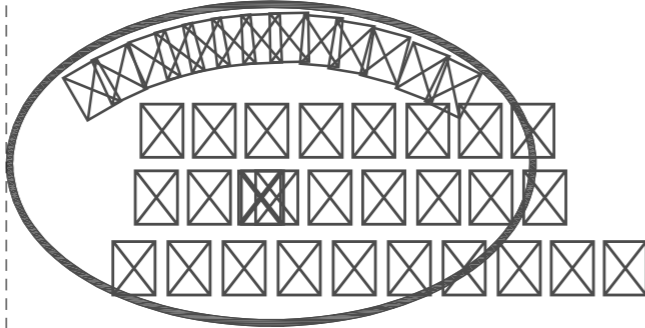
CODING B



CODING C

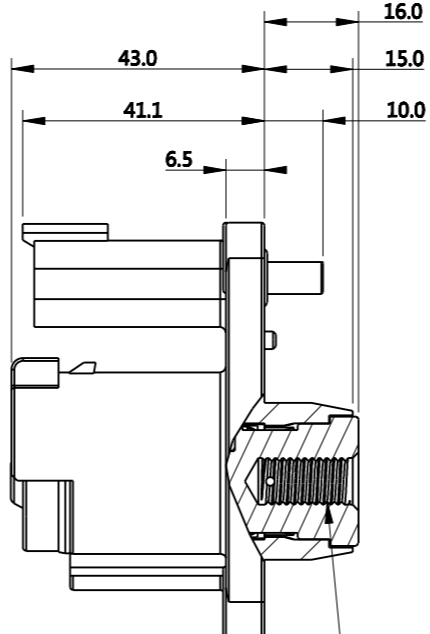


CODING D



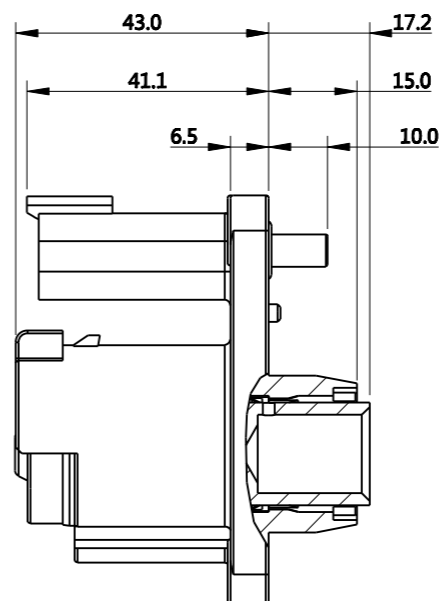
比例 4:5

M6 SCREW AND WASHER APPLICABLE

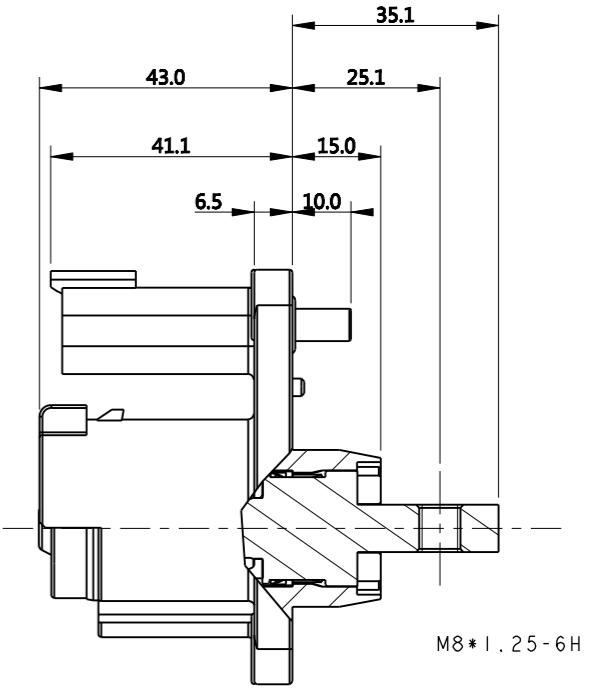


截面 A-A 比例 4:5

M8\*1.25 15min-6G



截面 A-A 比例 4:5



截面 A-A 比例 4:5

M8\*1.25-6H

**1.PN INSTRUCTIONS:**  
HVSL 1000 02 1 X X XX

- A: CODING A
- B: CODING B
- C: CODING C
- D: CODING D

- D8: FOR INTERNAL SCREW TERMINAL(M8)
- H8: FOR BUS-BAR(STANDARD THREAD M8)
- 70: FOR CRIMP 70mm<sup>2</sup>
- 50: FOR CRIMP 50mm<sup>2</sup>
- 35: FOR CRIMP 35mm<sup>2</sup>
- 25: FOR CRIMP 25mm<sup>2</sup>

- 1: WITH HVIL
- 0: WITHOUT HVIL

安费诺精密连接器(深圳)有限公司  
 Amphenol PCD Shenzhen  
 受控文件  
 2019年8月19日

DIMENSIONS ANSI Y14.5M UNITS: MM Pro/E FILE	TOLERANCES .X ±0.5 .XX ±0.05 ANGLES ±0.5°	PROJECTION 	TITLE HVSL1000 SERIES 1POS RECEPTACLE PANEL MOUTING		
			ENGR 16/08/19	CHKD APPD	SIZE A3
ORIGINAL	THIS DOCUMENT CONTAINS PROPRIETARY INFORMATION WHICH IS THE CONFIDENTIAL PROPERTY OF AMPHENOL PCD SHENZHEN		CODE: 58982	SCALE:0.9:1	SHEET 1 OF 5

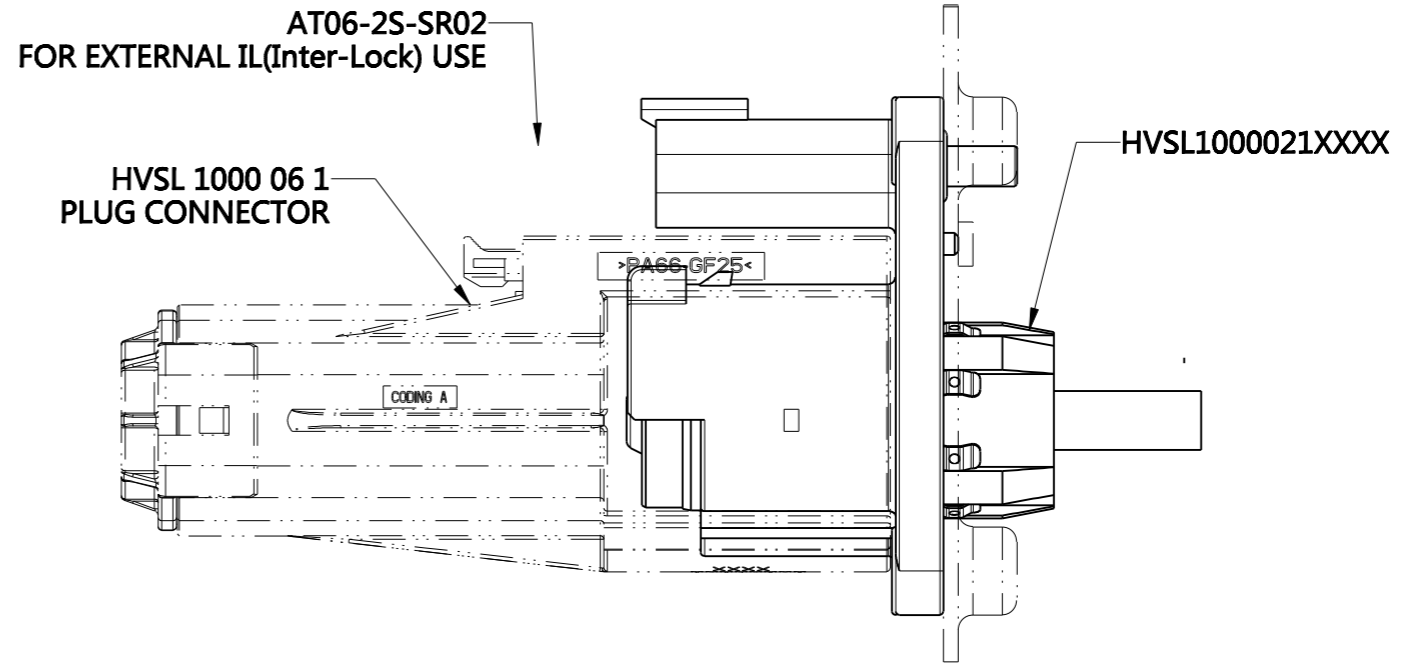
C-HVSL1000021XXXX

C-HVSL1000021XXXX

2.NOTES:

- (1).FLANGE MOUNTING HOLE M6 LOCKING TORQUE IS 8N.m Max
- (2).CURRENT TERMINAL(BUS-BAR(STANDARD THREAD M8)  
SET SCREW LOCKING TORQUE IS 15N.m Max
- (3).CURRENT TERMINAL(INTERNAL SCREW TERMINAL(M8))  
SET SCREW LOCKING TORQUE IS 8N.m Max
- (4).MATERIAL & FINISH:  
PLASTIC BODY: THERMOPLASTICS PA66+GF25 ORANGE  
POWER CONTACT: COPPER ALLOY SILVER PLATED  
HVIL CONTACTS: COPPER ALLOY GOLD PLATED  
SHIELDING: COPPER ALLOY TIN PLATED  
RING: STAINLESS STEEL  
O-RING: SILICONE RUBBER
- (5).POWER TERMINALS ARE AVAILABLE IN 90° AND 180°  
DEGREES FOR BUS-BAR,  
FREELY ASSEMBLED BY THE CUSTOMER
- (6).HVIL PIN FOR CABLE DIAMETER:0.5mm<sup>2</sup>
- (7).TECHNICAL DATA SHEET:APCD-TD-409

ASSEMBLY DIAGRAM OF RECEPTACLE AND PLUG



3.TECHNICAL DATA

TECHNICAL DATA		RM
CURRENT RATE 25~70MM <sup>2</sup> SHIELD CABLE	25mm <sup>2</sup> :120A @AMBIENT 70° C 35mm <sup>2</sup> :150A @AMBIENT 70° C 50mm <sup>2</sup> :180A @AMBIENT 70° C 70mm <sup>2</sup> :250A @AMBIENT 70° C	+
RATING VOLTAGE (OVERVOLTAGE CATEGORY II POLLUTION DEGREE 2)	1000V DC	+
OPERRATING TEMPERATURE	-40-125° C	
DIELECTRIC WITHSTANDING VOLTAGE	3000V AC	+
INSULATION RESISTANCE	100 MΩ Min	+
DURABILITY	50 CYCLES	⊙
SHIELDING	YES	
WATERPRROF (MATED CONDITION)	IP67&IP6K9K	+
PROTECTION LEVEL	IP2XB	+
AMBIENT TEMPERATURE	40~70° C	
RoHS	YES	+

安费诺精密连接器(深圳)有限公司  
Amphenol PCD Shenzhen

受 控 文 件

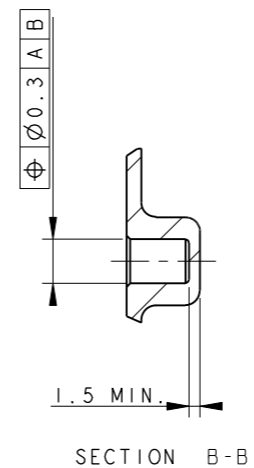
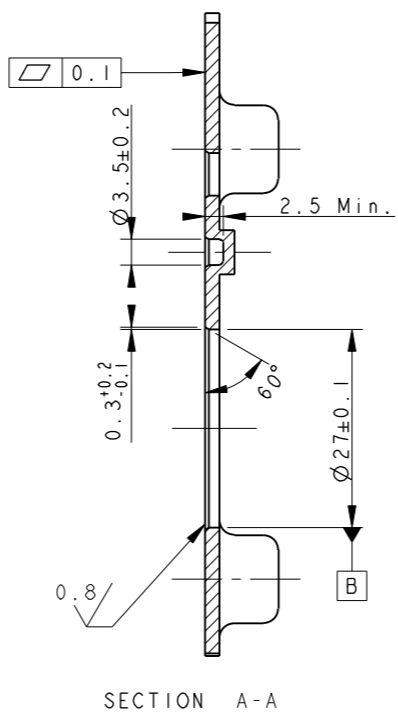
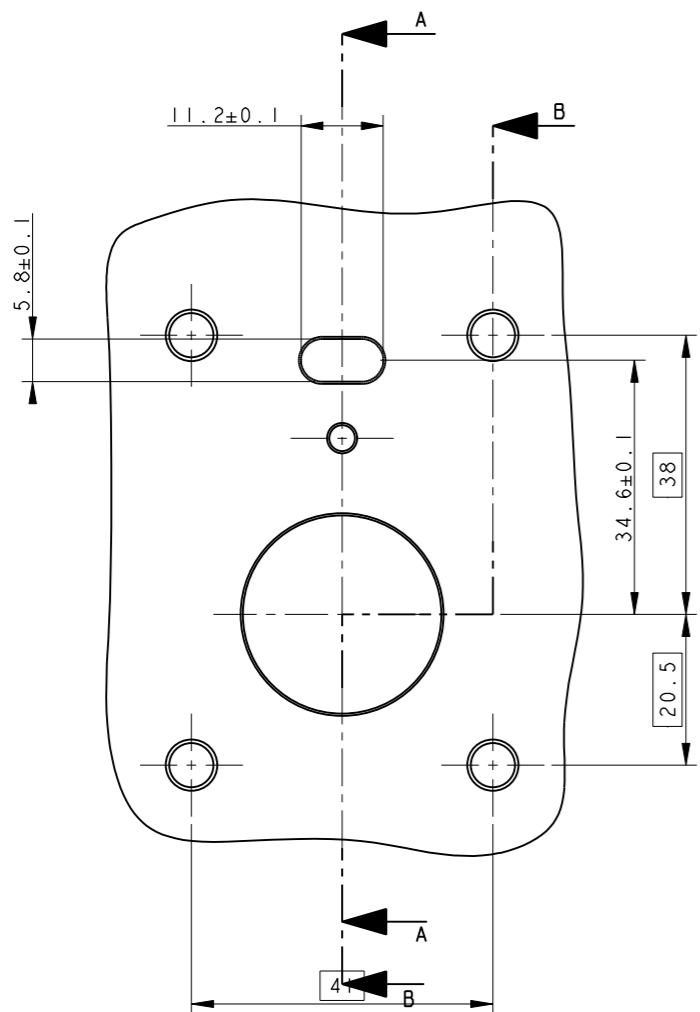
2019年8月19日

C-HVSL1000021XXXX

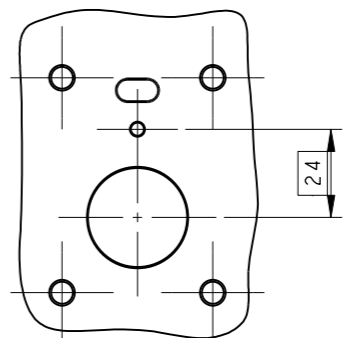
C-HVSL1000021XXXX

SIZE <b>A3</b>	DWG NO. <b>C-HVSL1000021XXXX</b>	REV <b>1</b>
CODE: 58982	SCALE: 1:1	SHEET 2 OF 5

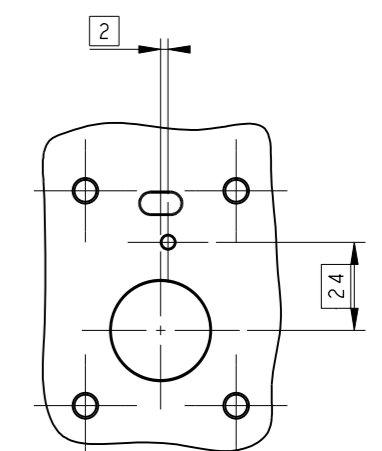
# PANEL DRILLING



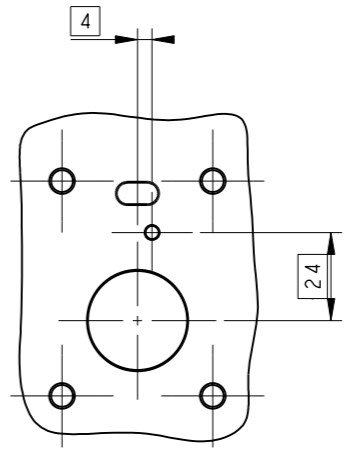
CODING A



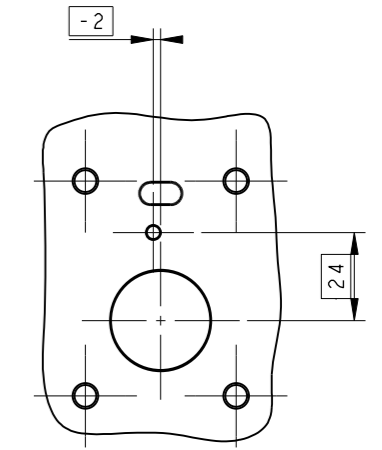
CODING B



CODING C



CODING D

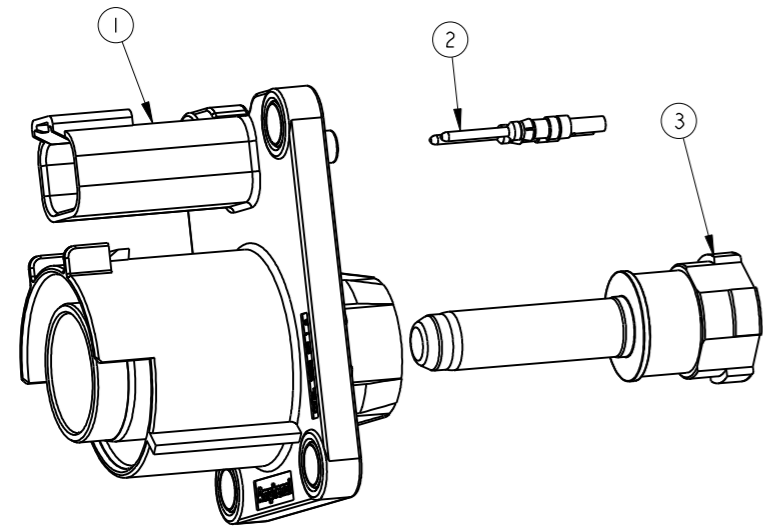


C-HVSL1000021XXXX

C-HVSL1000021XXXX

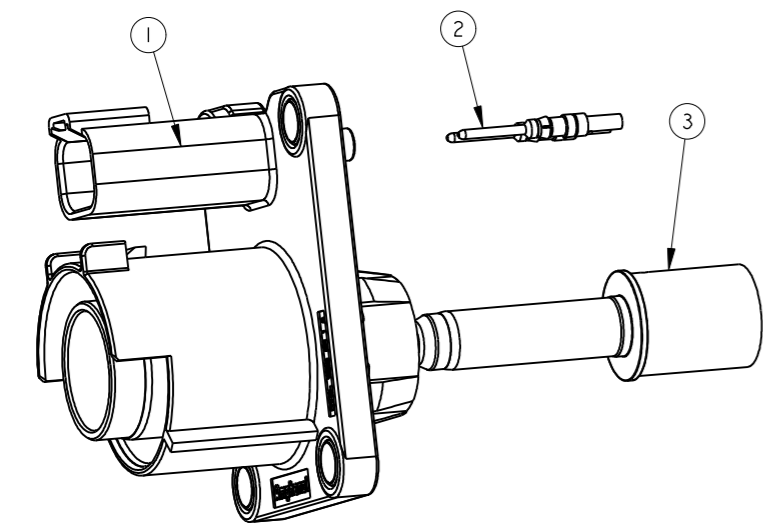
安费诺精密连接器(深圳)有限公司  
Amphenol PCD Shenzhen  
受控文件  
2019年8月19日

SIZE	DWG NO.	REV
A3	C-HVSL1000021XXXX	1
CODE: 58982	SCALE: 1:1	SHEET 3 OF 5

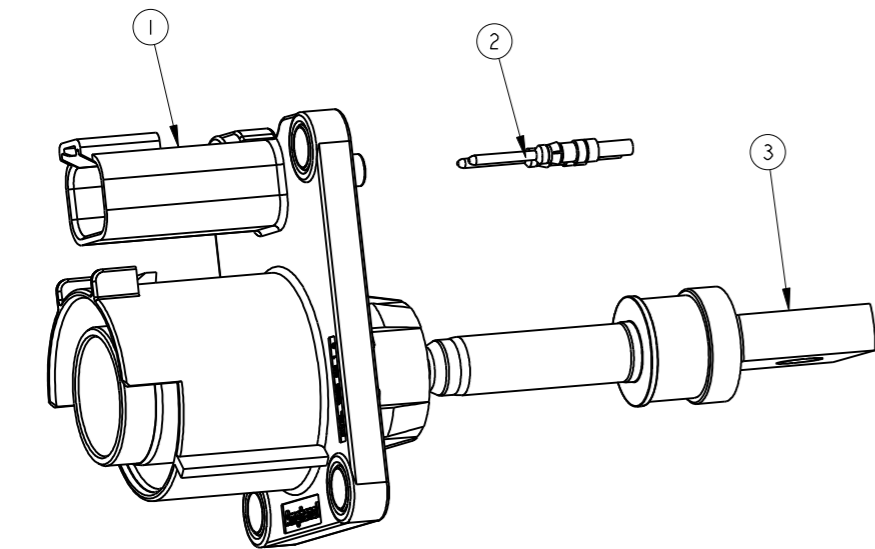


HVSL1000021X1D8 "X"=A/B/C/D	3	P03BM00023	INTERNAL SCREW TERMINAL	1
	2	C42000400504G	HVIL PIN	2
	1	HVSL1000021X	RECEPTACLE BODY,KEY A/B/C/D	1
	ITEM	PART NO.	DESCRIPTION	Q'TY

安费诺精密连接器(深圳)有限公司  
Amphenol PCD Shenzhen  
受控文件  
2019年8月19日



HVSL1000021X1XX "X"=A/B/C/D "XX"=25/35/50/70	3	C42000361511	CRIMP TERMINAL(70mm2)	1
		C42000361512	CRIMP TERMINAL(50mm2)	1
		C42000361513	CRIMP TERMINAL(35mm2)	1
		C42000361514	CRIMP TERMINAL(25mm2)	1
	2	C42000400504G	HVIL PIN	2
	1	HVSL1000021X	RECEPTACLE BODY,KEY A/B/C/D	1
	ITEM	PART NO.	DESCRIPTION	Q'TY



HVSL1000021X1H8 "X"=A/B/C/D	3	C4200036152	BUS-BAR	1
	2	C42000400504G	HVIL PIN	2
	1	HVSL1000021X	RECEPTACLE BODY,KEY A/B/C/D	1
	ITEM	PART NO.	DESCRIPTION	Q'TY

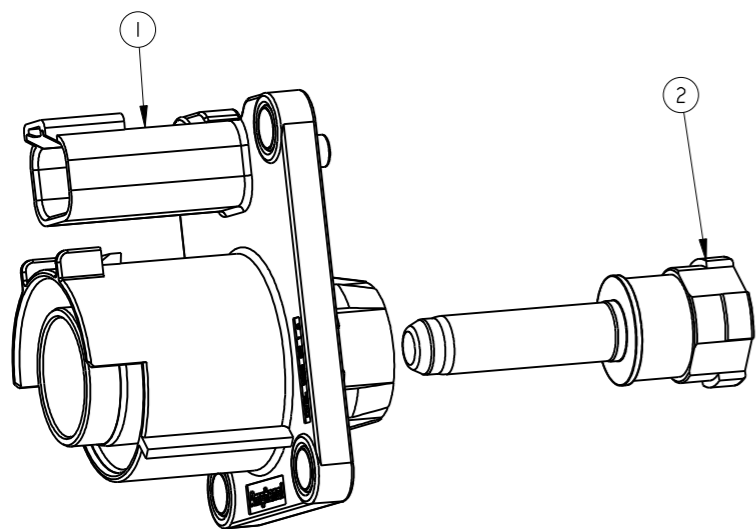
HVSL1000021X SELECTION:

HVSL1000021A	KEY A
HVSL1000021B	KEY B
HVSL1000021C	KEY C
HVSL1000021D	KEY D

SIZE <b>A3</b>	DWG NO. <b>C-HVSL1000021XXXX</b>	REV <b>1</b>
CODE: 58982	SCALE:	SHEET 4 OF 5

C-HVSL1000021XXXX

C-HVSL1000021XXXX

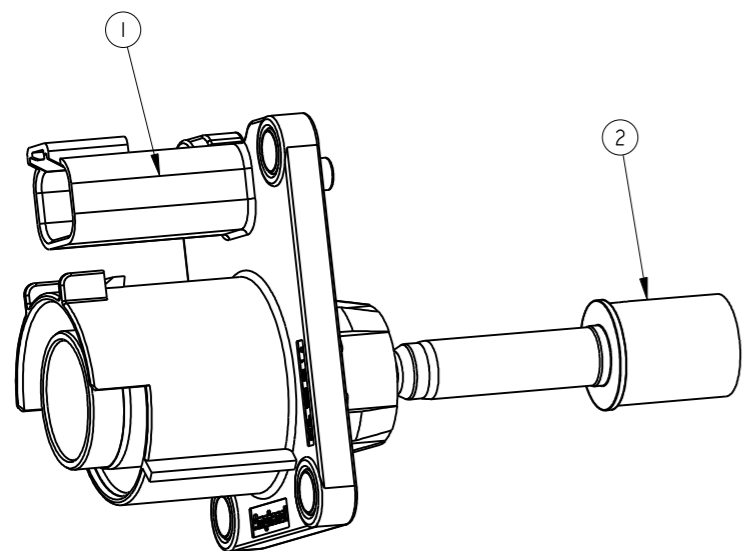


HVSL1000021X0D8 "X"=A/B/C/D	2	P03BM00023	INTERNAL SCREW TERMINAL	1
	1	HVSL1000021X	RECEPTACLE BODY,KEY A/B/C/D	1
	ITEM	PART NO.	DESCRIPTION	Q'TY

安费诺精密连接器(深圳)有限公司  
Amphenol PCD Shenzhen

受 控 文 件

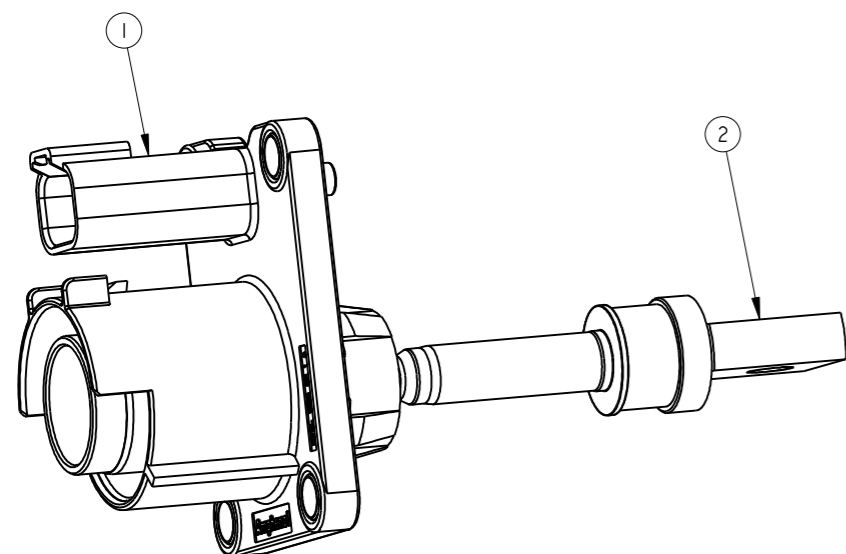
2019年8月19日



HVSL1000021X0XX "X"=A/B/C/D "XX"=25/35/50/70	2	C42000361511	CRIMP TERMINAL(70mm <sup>2</sup> )	1
		C42000361512	CRIMP TERMINAL(50mm <sup>2</sup> )	1
		C42000361513	CRIMP TERMINAL(35mm <sup>2</sup> )	1
		C42000361514	CRIMP TERMINAL(25mm <sup>2</sup> )	1
	1	HVSL1000021X	RECEPTACLE BODY,KEY A/B/C/D	1
ITEM	PART NO.	DESCRIPTION	Q'TY	

C-HVSL1000021XXXX

C-HVSL1000021XXXX



HVSL1000021X0H8 "X"=A/B/C/D	2	C4200036152	BUS-BAR	1
	1	HVSL1000021X	RECEPTACLE BODY,KEY A/B/C/D	1
	ITEM	PART NO.	DESCRIPTION	Q'TY

HVSL1000021X SELECTION:

HVSL1000021A	KEY A
HVSL1000021B	KEY B
HVSL1000021C	KEY C
HVSL1000021D	KEY D

SIZE	DWG NO.	REV
A3	C-HVSL1000021XXXX	1
CODE: 58982	SCALE:	SHEET 5 OF 5