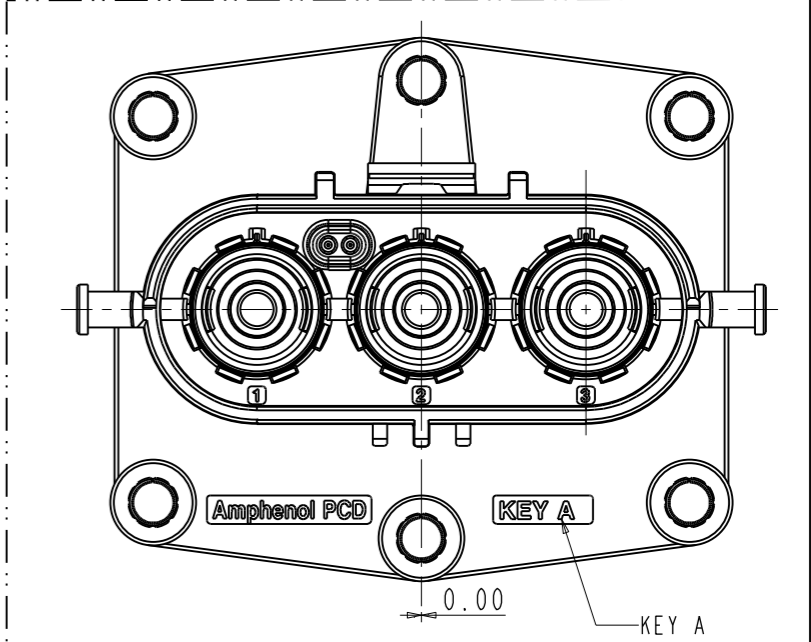
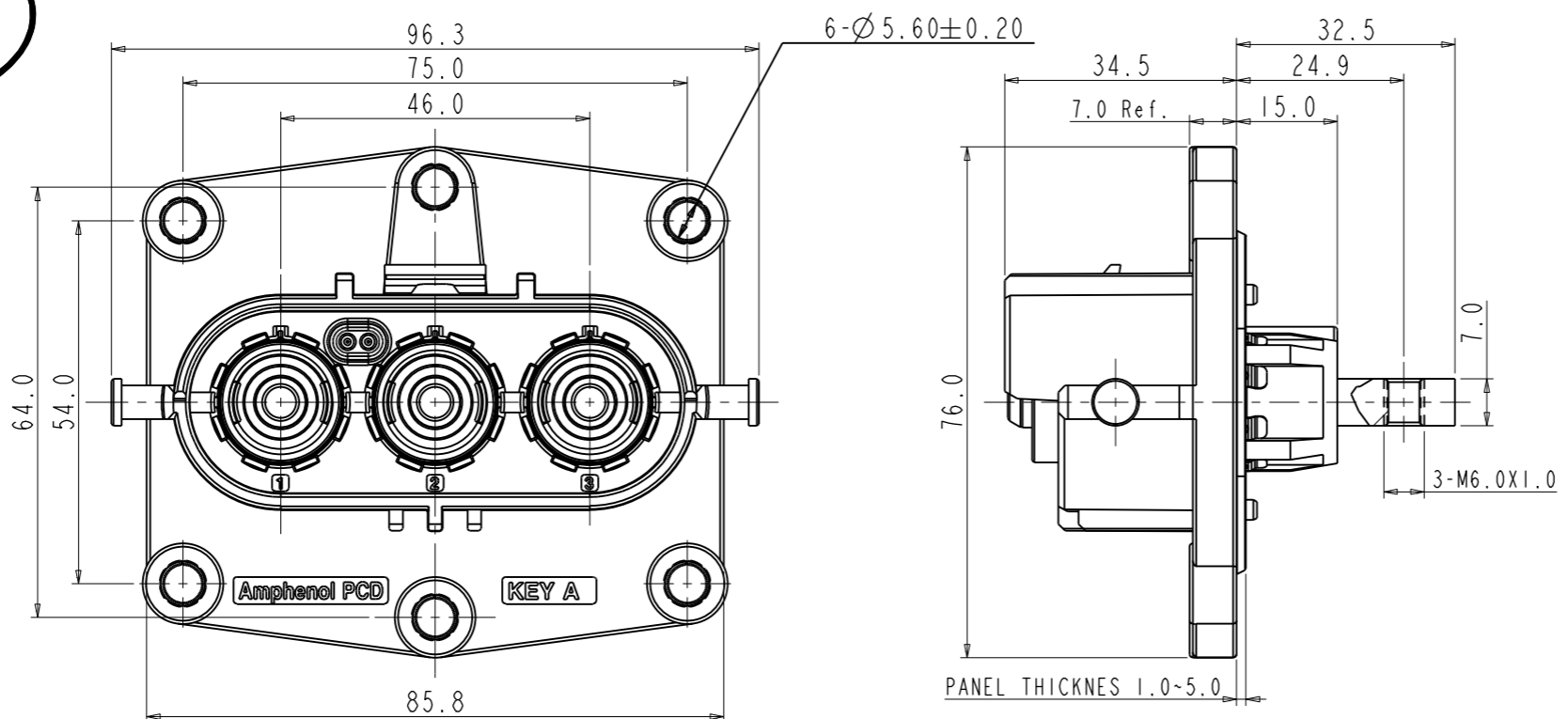
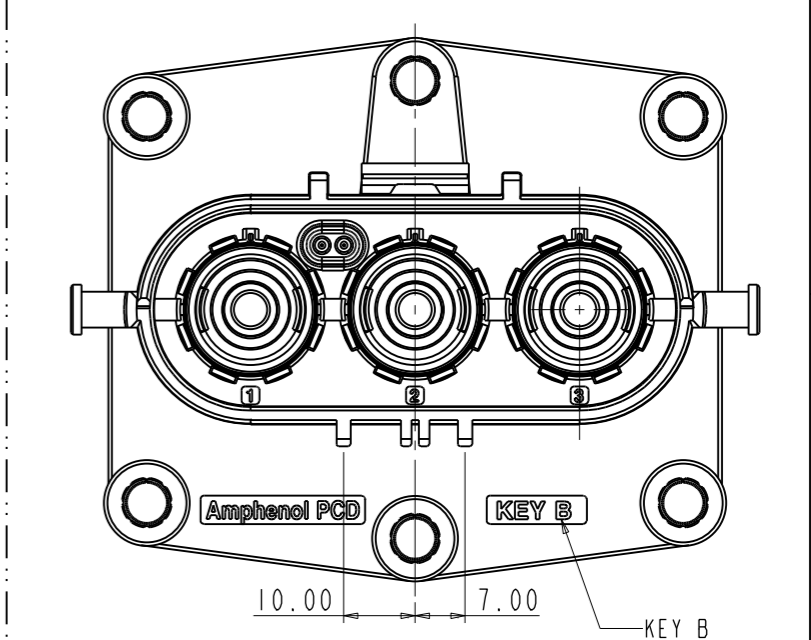


Amphenol PCDSZ  
ORIGINAL  
PDF Format  
R&D

安费诺精密连接器(深圳)有限公司  
Amphenol PCD Shenzhen  
受控文件  
2018年1月16日

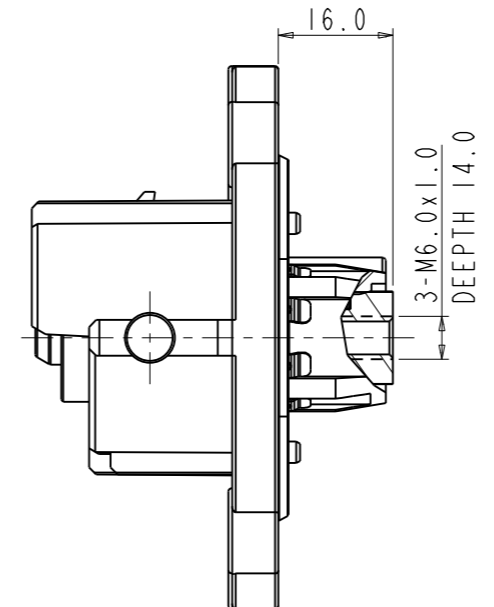


CODING A

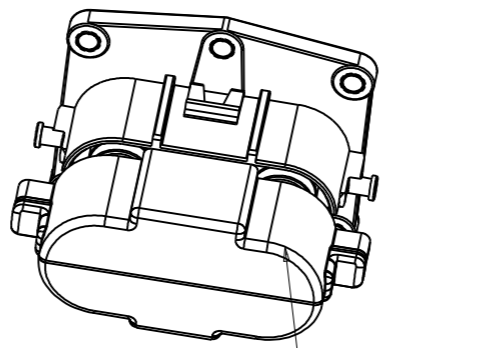


CODING B

H6: POWER CONTACT  
HOLE TERMINATION VIEW



D6: POWER CONTACT SCREW  
TERMINATION-INTERNAL VIEW



SCALE 1:2 DUST COVER

NOTES:

- MATERIAL & FINISH:  
PLASTIC BODY: THERMOPLASTICS UL 94V-0 ORANGE COLOR  
POWER CONTACT: COPPER ALLOY SILVER PLATED
- HVIL INTERLOCK CABLE SCOPE OF OUTSIDE DIAMETER OD=1.5-2.2mm(0.50-0.75mm<sup>2</sup> CABLE)
- PART NUMBER DESCRIPTION:  
HVSL 800 02 3 X X XX

A: CODING A 0: WITHOUT HVIL H6: HOLE TERMINATION (M6 THREAD)  
B: CODING B 1: WITH HVIL D6: SCREW TERMINATION-INTERNAL (M6 THREAD)

3. TECHNICAL DATA TABLE

CURRENT RATE 50mm <sup>2</sup> CABLE	180A @ AMBIENT 70°C	+
CURRENT RATE 35mm <sup>2</sup> CABLE	150A @ AMBIENT 70°C	+
CURRENT RATE 25mm <sup>2</sup> CABLE	120A @ AMBIENT 70°C	+
UL RATING VOLTAGE (OVERVOLTAGE CATEGORY II POLLUTION DEGREE 2)	1000V DC	+
OPERATING TEMPERATURE	-40-125°C	
DIELECTRIC WITH STANDING VOLTAGE	3000V AC	+
INSULATION RESISTANCE	2000MΩ MIN. 25°C, NO CABLE	+
DURABILITY	50 CYCLES	⊙
SHIELDING	YES	⊙
WATERPROOF(MATED CONDITION)	IP67 IP6K9K	+
PROTECTION LEVEL	IP2XB	+
AMBIENT TEMPERATURE	-40-70°C	
TECHNICAL DESCRIPTION	TECHNICAL DATA	FEATURE

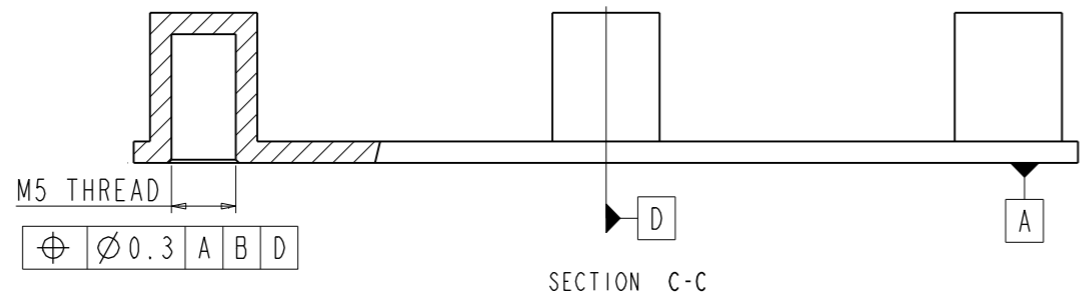
<b>DIMENSIONS</b> ANSI Y14.5M UNITS: MM Pro/E FILE	<b>TOLERANCES</b> .X ±0.5 .XX ±0.05 ANGLES ±0.5°	<b>PROJECTION</b> 	<b>TITLE</b> HVSLR 800 RECEPTACLE ASSEMBLY 3P TYPE		
			ENGR CHKD APPD	SIZE A3	DWG NO. C-HVSL800023XXXX
ORIGINAL NOT FOR CUSTOMER DISTRIBUTION		THIS DOCUMENT CONTAINS PROPRIETARY INFORMATION WHICH IS THE CONFIDENTIAL PROPERTY OF AMPHENOL PCD SHENZHEN			CODE: 58982
		SCALE: 1:1		SHEET 1 OF 3	

C-HVSL800023XXXX

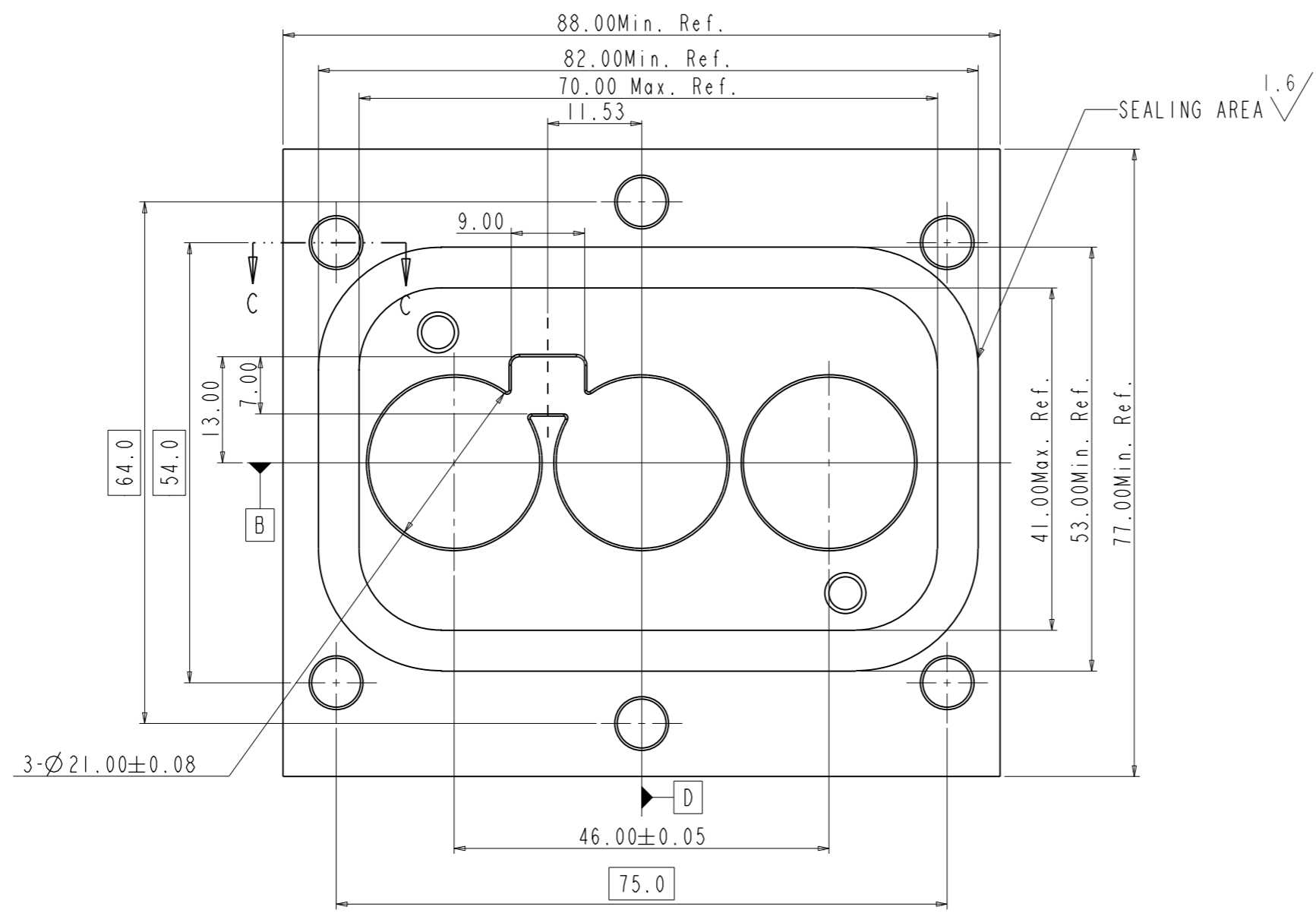
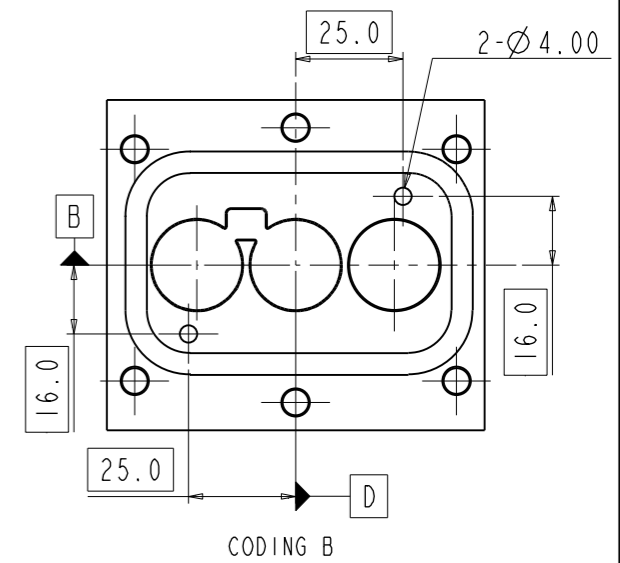
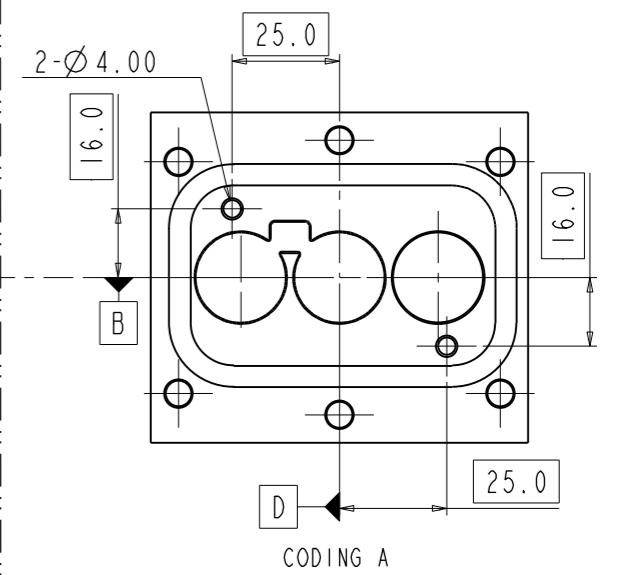
C-HVSL800023XXXX

Amphenol PCDSZ  
ORIGINAL  
PDF Format  
R&D

4. PANEL DRILLING



安费诺精密连接器(深圳)有限公司  
Amphenol PCD Shenzhen  
受控文件  
2018年1月16日



THIS VIEW SHOWING THE KEY "A" DIMENTION  
OTHER KEYS REFER THE CODING DESCRIPTION LIST

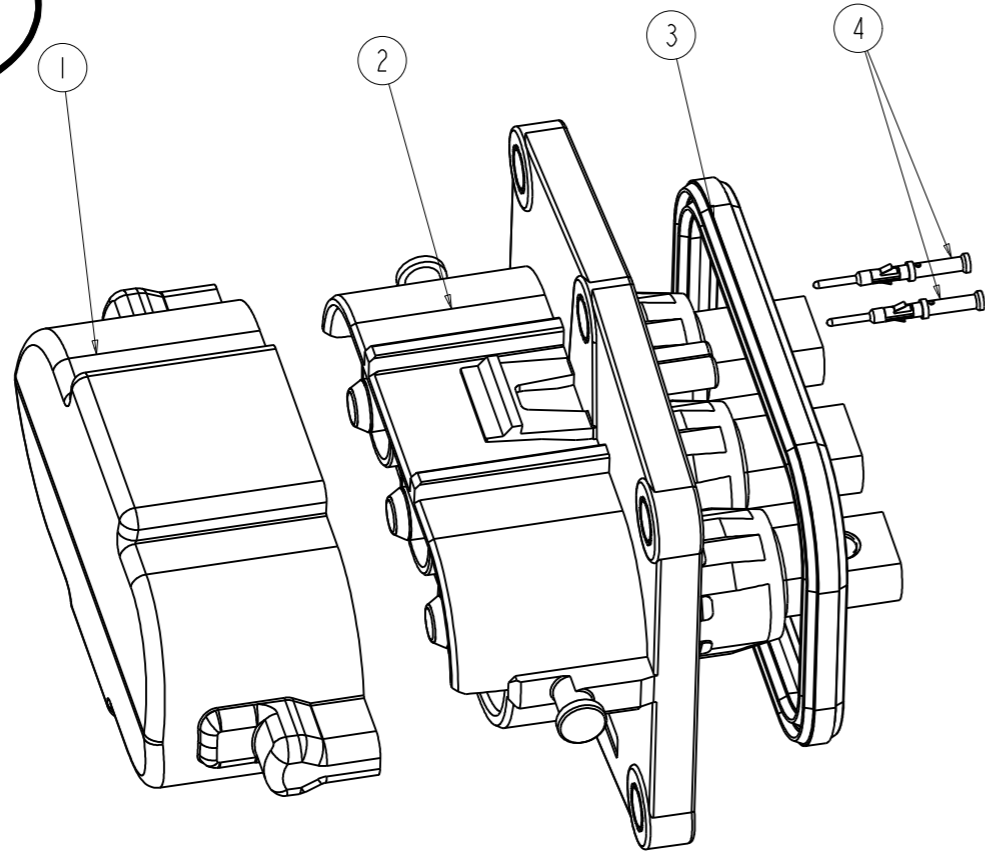
CODING DESCRIPTION LIST

SIZE	DWG NO.	REV
A3	C-HVSL800023XXXX	3
CODE: 58982	SCALE: 1:1	SHEET 2 OF 3

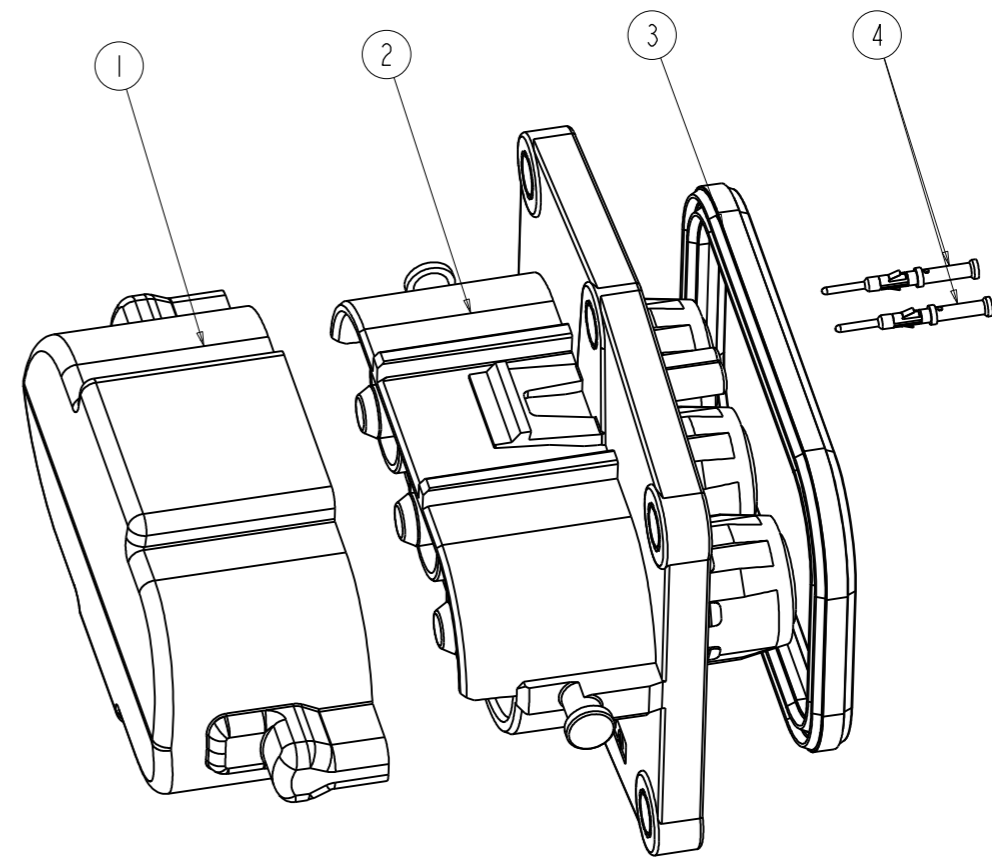
C-HVSL800023XXXX

C-HVSL800023XXXX

Amphenol PCD SZ  
ORIGINAL  
PDF Format  
R&D



H6: POWER CONTACT  
HOLE TERMINATION ASSEMBLE VIEW



D6: POWER CONTACT SCREW  
TERMINATION-INTERNAL ASSEMBLE VIEW

C-HVSL800023XXXX

C-HVSL800023XXXX

5. ASSEMBLY AND DETAIL BOM LIST SHOW

5.1. DETAIL BOM LIST

HVSL800023 X 0D6	3	C427003660	1	FLANGE SEAL PART
	2	D6 MAIN BODY	1	MAIN BODY
	1	C422003555	1	DUST COVER
HVSL800023 X 1D6	4	C420003643	2	1mm MALE CONTACT
	3	C427003660	1	FLANGE SEAL PART
	2	D6 MAIN BODY	1	MAIN BODY
	1	C422003555	1	DUST COVER
HVSL800023 X 0H6	3	C427003660	1	FLANGE SEAL PART
	2	H6 MAIN BODY	1	MAIN BODY
	1	C422003555	1	DUST COVER
HVSL800023 X 1H6	4	C420003643	2	1mm MALE CONTACT
	3	C427003660	1	FLANGE SEAL PART
	2	H6 MAIN BODY	1	MAIN BODY
	1	C422003555	1	DUST COVER
PART NUMBER	ITEAM	COMPONENT P/N	QUANTITY	DESCRIPTION

安费诺精密连接器(深圳)有限公司  
Amphenol PCD Shenzhen

受控文件

2018年1月16日

SIZE	DWG NO.	REV
A3	C-HVSL800023XXXX	3
CODE: 58982	SCALE: 1:1	SHEET 3 OF 3