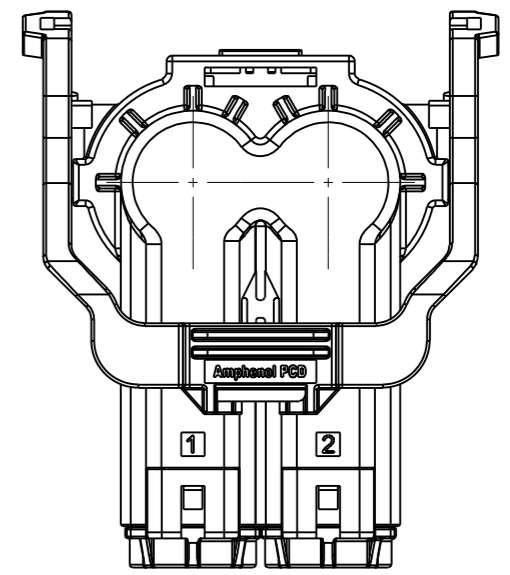
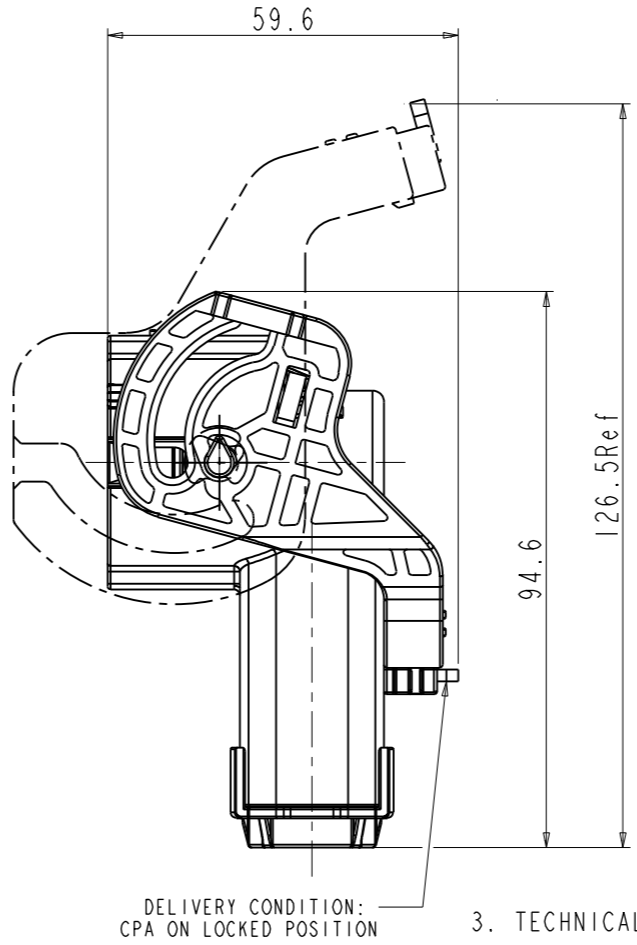
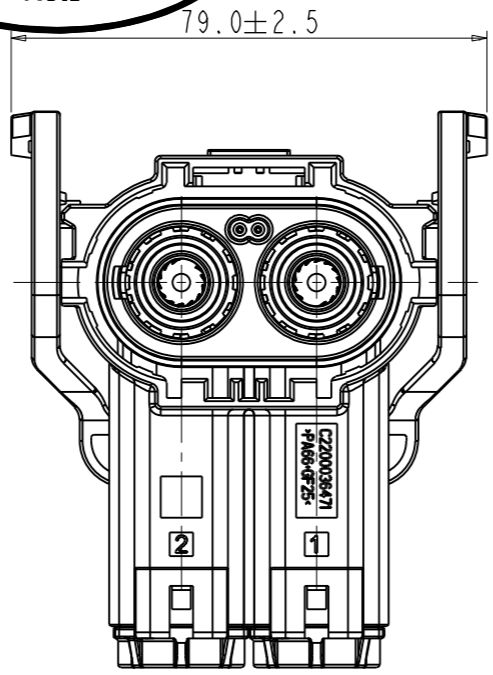
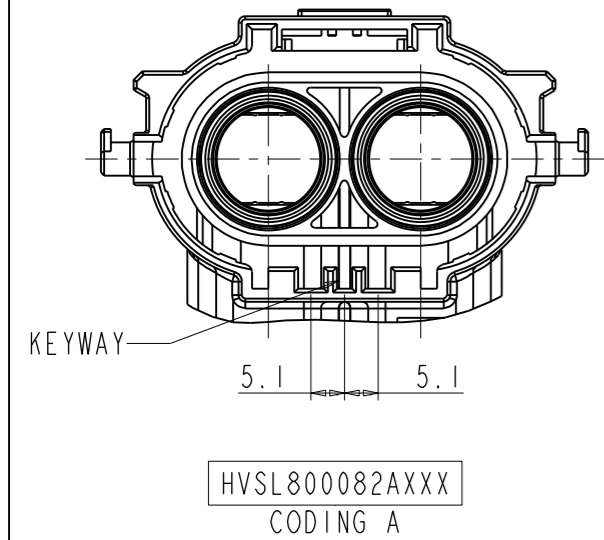


REV	ECN	DESCRIPTION	DATE	MODIFIED
A		PRE-RELEASE	2018.11.14	
B	R3345-N	ADD NEW SPECIFICATIONS	2019.06.18	
C	R3754-N	ADD NEW SPECIFICATIONS	2019.10.21	
D	R4110N	CHANGE THE KEY STRUCTURE	2020.02.24	
E	R4578-N	UPDATE	2020.07.17	

Amphenol PCDSZ
ORIGINAL
PDF Format
R&D



NOTES:

1. MATERIAL & FINISH:
PLASTIC BODY: THERMOPLASTICS ORANGE COLOR
POWER CONTACT: COPPER ALLOY SILVER PLATED
SEAL RING:SI

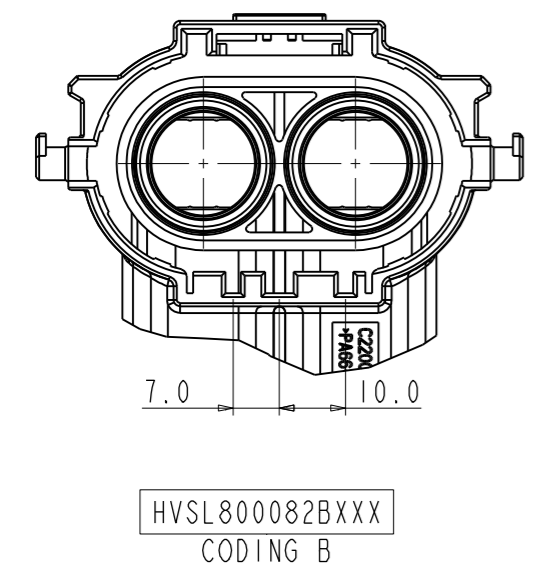
2. PART NUMBER DESCRIPTION:

HVSL800 08 2 X X XX

- A: CODING A 0: WITHOUT HVIL 50: CROSS-SECTION 50mm²
 B: CODING B 1: WITH HVIL WIRE OD=16.5 ± 0.3mm
 C: CODING C
- 35: CROSS-SECTION 35mm²
 WIRE OD=14.2 ± 0.4mm
- 25: CROSS-SECTION 25mm²
 WIRE OD=11.9 ± 0.3mm
- 01: CROSS-SECTION 25mm²
 WIRE OD=13.5 ± 0.3mm
- 02: CROSS-SECTION 50mm²
 WIRE OD=15.5 ± 0.3mm

3. TECHNICAL DATA TABLE

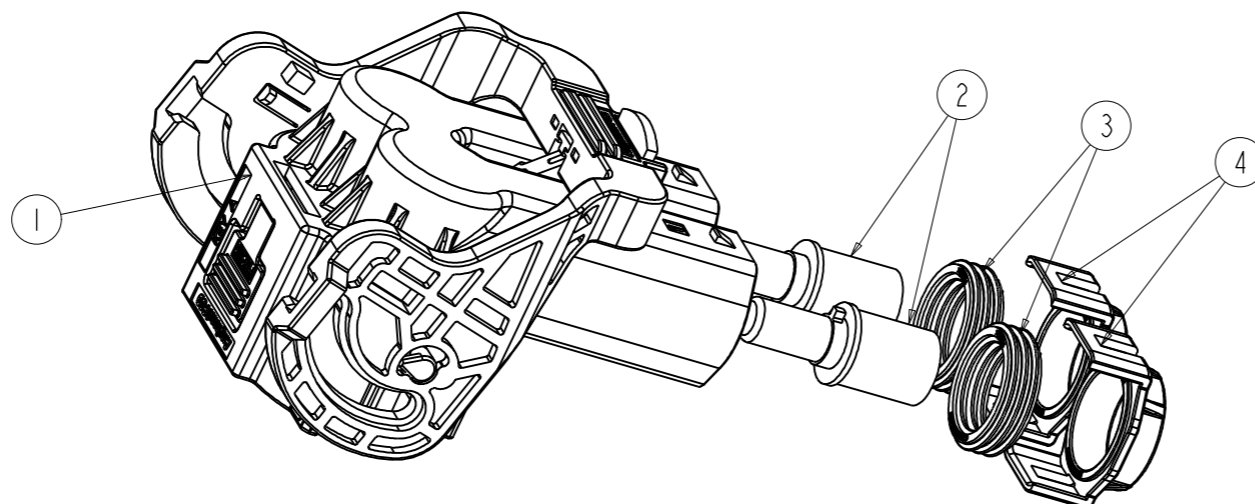
TECHNICAL DATA		REMARK
CURRENT RATE(25mm ² SHIELD CABLE)	120A@ AMBIENT TEMPERATUR 70°C	+
CURRENT RATE(35mm ² SHIELD CABLE)	150A@ AMBIENT TEMPERATUR 70°C	+
CURRENT RATE(50mm ² SHIELD CABLE)	180A@ AMBIENT TEMPERATUR 70°C	+
RATING VOLTAGE (OVERVOLTAGE CATEGORY II POLLUTION DEGREE 2)	1000V DC	+
OPERATING TEMPERATURE	-40~125°C	
DIELECTRIC WITHSTANDING VOLTAGE	3000V AC (RMS)	+
INSULATION RESISTANCE	100MΩ MIN.	+
DURABILITY	50 CYCLES	⊙
SHIELDING	YES	
WATERPROF(MATED CONDITION)	IP 67, IP6K9K	+
PROTECTION LEVEL	IP2XB	+
AMBIENT TEMPERATURE	-40~70°C	
RoHS	YES	+



DIMENSIONS	TOLERANCES	PROJECTION	TITLE		
ANSI Y14.5M UNITS: MM Pro/E FILE	.X ±0.5 .XX ±0.05 ANGLES ±0.5°		HVSL 800 08 2 X X XX R/A PLUG ASSEMBLY		
		ENGR	25/04/16		
		CHKD	SIZE	DWG NO.	REV
		APPD	A3	C-HVSL800082XXXX	E
		THIS DOCUMENT CONTAINS PROPRIETARY INFORMATION WHICH IS THE CONFIDENTIAL PROPERTY OF AMPHENOL PCD SHENZHEN			
		CODE: 58982	SCALE: 1:2	SHEET 1 OF 2	

C-HVSL800082XXXX

C-HVSL800082XXXX



4. ASSEMBLY AND DETAIL BOM LIST SHOW

ITEM	P/N	CABLE SIZE	Q'ty	DESCRIPTION	
HVSL800082X1XX	4	C4220036831	50mm ²	2	END CAP (WIRE OD=16.5±0.3mm)
		C4220036832	35mm ²	2	END CAP (WIRE OD=14.2±0.3mm)
		C4220036833	25mm ²	2	END CAP (WIRE OD=11.9±0.3mm)
		C4220036835	25mm ²	2	END CAP (WIRE OD=13.5±0.3mm)
		C4220036836	50mm ²	2	END CAP (WIRE OD=15.5±0.3mm)
	3	C4270036451	50mm ²	2	SEAL (WIRE OD=16.5±0.3mm)
		C4270036452	35mm ²	2	SEAL (WIRE OD=14.2±0.3mm)
		C4270036453	25mm ²	2	SEAL (WIRE OD=11.9±0.3mm)
		P03BR00141	25mm ²	2	SEAL (WIRE OD=13.5±0.3mm)
		P03BR00197	50mm ²	2	SEAL (WIRE OD=15.5±0.3mm)
	2	C4200036541	50mm ²	2	SOCKET CONTACT BODY
		C4200036542	35mm ²	2	
		C4200036543	25mm ²	2	
	1	HVSL800082X1	N/A	1	BODY&HVIL

ITEM	P/N	CABLE SIZE	Q'ty	DESCRIPTION	
HVSL800082X0XX	4	C4220036831	50mm ²	2	END CAP (WIRE OD=16.5±0.3mm)
		C4220036832	35mm ²	2	END CAP (WIRE OD=14.2±0.3mm)
		C4220036833	25mm ²	2	END CAP (WIRE OD=11.9±0.3mm)
		C4220036835	25mm ²	2	END CAP (WIRE OD=13.5±0.3mm)
		C4220036836	50mm ²	2	END CAP (WIRE OD=15.5±0.3mm)
	3	C4270036451	50mm ²	2	SEAL (WIRE OD=16.5±0.3mm)
		C4270036452	35mm ²	2	SEAL (WIRE OD=14.2±0.3mm)
		C4270036453	25mm ²	2	SEAL (WIRE OD=11.9±0.3mm)
		P03BR00141	25mm ²	2	SEAL (WIRE OD=13.5±0.3mm)
		P03BR00197	50mm ²	2	SEAL (WIRE OD=15.5±0.3mm)
	2	C4200036541	50mm ²	2	SOCKET CONTACT BODY
		C4200036542	35mm ²	2	
		C4200036543	25mm ²	2	
	1	HVSL800082X0	N/A	1	BODY&HVIL

HVSL800082X1 SELECTION:

MAIN BODY P/N	KEY X
HVSL800082A1	KEY A
HVSL800082B1	KEY B
HVSL800082C1	KEY C

HVSL800082X0 SELECTION:

MAIN BODY P/N	KEY X
HVSL800082A0	KEY A
HVSL800082B0	KEY B
HVSL800082C0	KEY C

SIZE	DWG NO.	REV
A3	C-HVSL800082XXXX	E
CODE: 58982	SCALE: 1:2	SHEET 2 OF 2

C-HVSL800082XXXX

C-HVSL800082XXXX