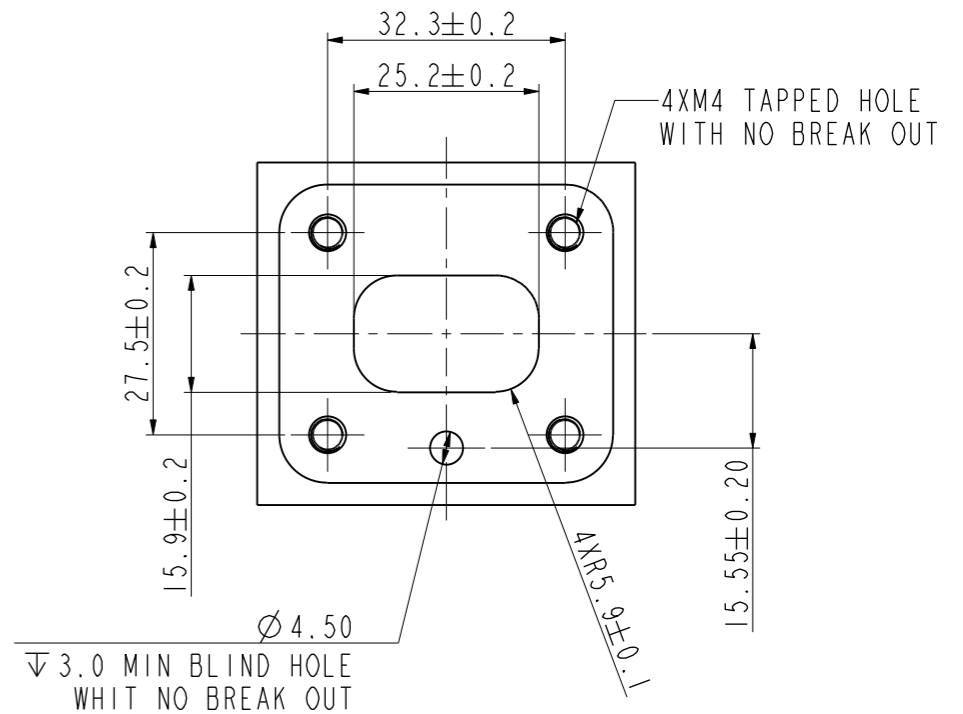
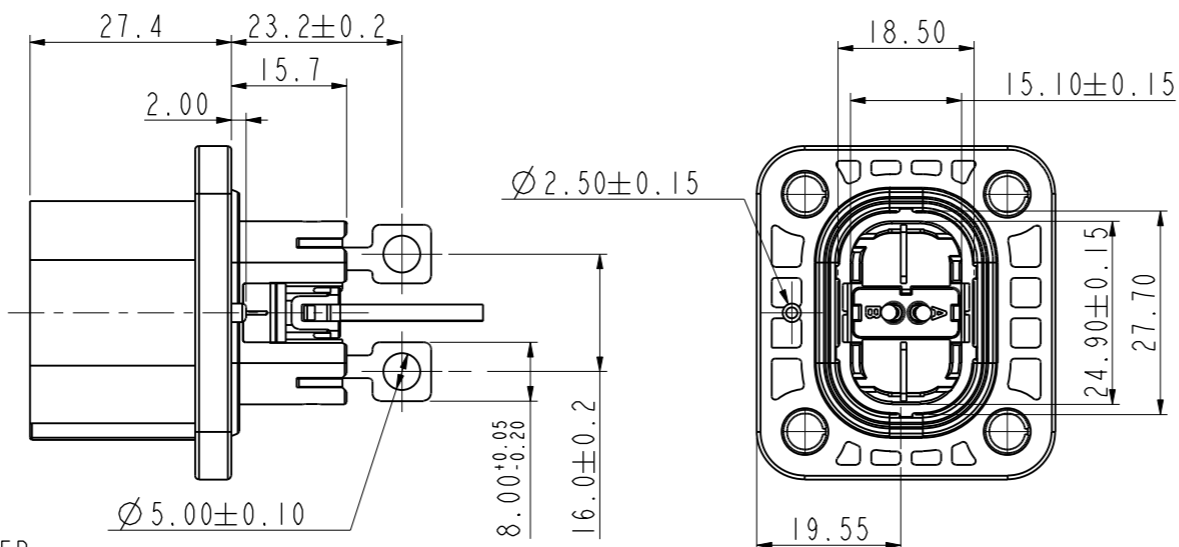
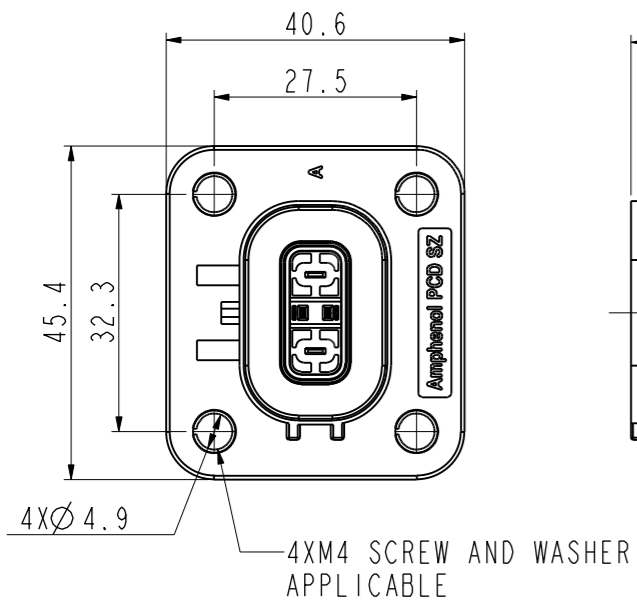


安费诺精密连接器(深圳)有限公司
Amphenol PCD Shenzhen
受控文件
2019年3月29日



✦ :CRITICAL CHARACTERISTICS 关键特性
◎ :IMPORTANT CHARACTERISTICS 重要特性

NOTE:
1.RECEPTACLE DON'T INCLUDE HVIL CONTACT PIN.
HVIL CONTACT PIN NEED TO BUY SEPARATE:
THE HVIL CONTACT:C310003614S,USE LEVEL: 2PCS
2.PREVAILING TORQUES:2N*M

HVSLW 282 02 2X X

A: KEY A
B: KEY B
D: KEY D
O: WITHOUT HVIL
1: WITH HVIL

MOUNTING INTERFACE SPECIFICATION
(KEY A MOUNTING INTERFACE SHOWN)
REFER TO PAGE TWO FOR KEY B - F MOUNTING DIFFERENCES

TECHNICAL DATA		
CURRENT RATE (4MM ² CABLE)	32A @ AMBIENT 70° C	✦
CURRENT RATE (2.5~3MM ² CABLE)	23A @ AMBIENT 70° C	✦
UL RATING VOLTAGE (OVERVOLTAGE CATEGORY II POLLUTION DEGREE 2)	△ 1000V DC	✦
OPERATING TEMPERATURE	-40~125° C	
DIELECTRIC WITH STANDING VOLTAGE	3000V AC	✦
INSULATION RESISTANCE	2000MΩ MIN. 25° C, NO CABLE	✦
DURABILITY	50 CYCLES (MIN)	◎
SHIELDING	YES	◎
WATERPROOF (UNMATED CONDITION)	IP 67	✦
PROTECTION LEVEL	IP2XB	✦
AMBIENT TEMPERATURE	-40~70° C	
ROHS COMPLIANCE	YES	✦

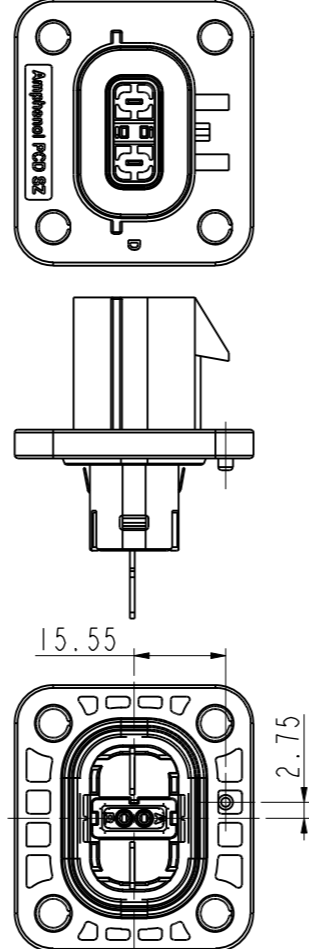
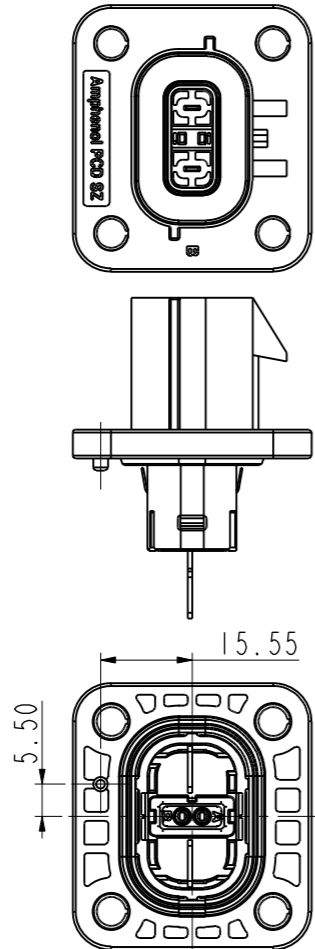
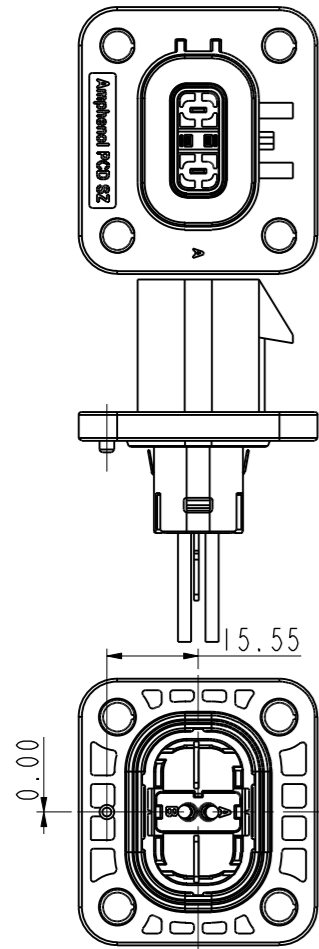
DIMENSIONS ANSI Y14.5M UNITS: MM Pro/E FILE	TOLERANCES .X ±0.5 .XX ±0.05 ANGLES ±0.5°	PROJECTION 	TITLE HVSLW282 RECEPTACLE			
			ENGR ROY.QU 2018.06.13	CHKD	APPD	
ORIGINAL	THIS DOCUMENT CONTAINS PROPRIETARY INFORMATION WHICH IS THE CONFIDENTIAL PROPERTY OF AMPHENOL PCD SHENZHEN		SIZE A3	DWG NO. C-HVSLW282022XX	REV C	
			CODE: 58982	SCALE: 1:1	SHEET 1 OF 2	

HVSLW282022AX (KEY A)

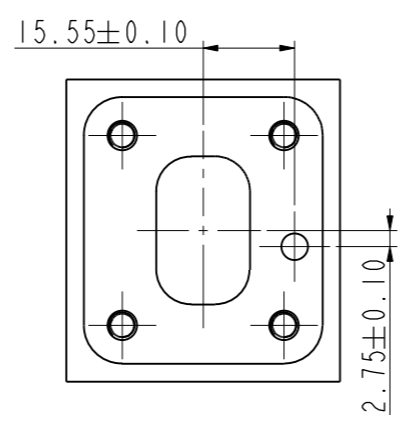
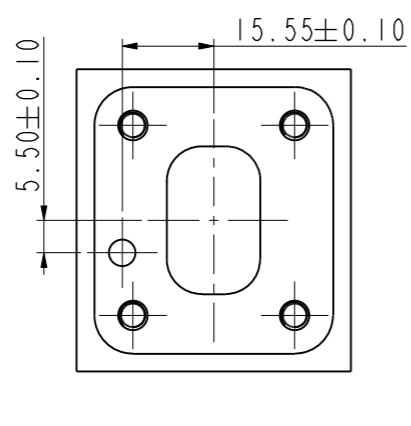
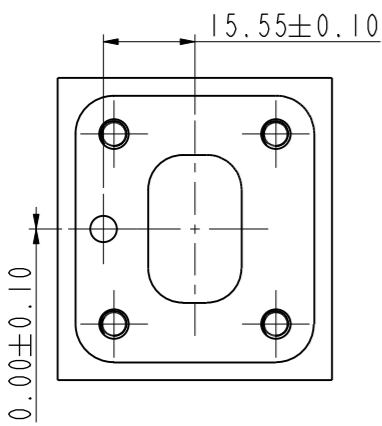
HVSLW282022BX (KEY B)

HVSLW282022DX (KEY D)

KEY A - F MOUNTING DIFFERENCES RECEPTACLE



INTERFACE VIEW - MOUNTING SIDE



KEY A MOUNTING INTERFACE

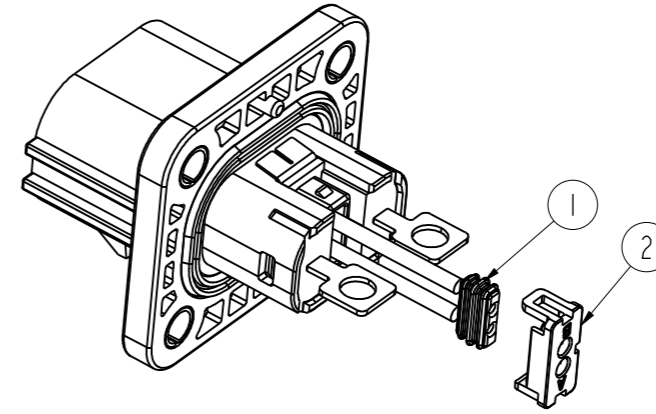
KEY B MOUNTING INTERFACE

KEY D MOUNTING INTERFACE

安费诺精密连接器(深圳)有限公司
Amphenol PCD Shenzhen

受控文件

2019年3月29日



HVSLW282022X0	2	P.03.B.P00008	0	
	1	P.03.B.R00008	0	
HVSLW282022X1	2	P.03.B.P00008	1	NEED TO BUY C310003614S
	1	P.03.B.R00008	1	
P/N	ITEM	COMPONENT P/N	QUANTITY	REMARK

SIZE	DWG NO.	REV
A3	C-HVSLW282022XX	C
CODE: 58982	SCALE: 4:5	SHEET 2 OF 2