

Amphenol PCD SZ
ORIGINAL
PDF Format
R&D

C-HVSL600021XXXX

REV	ECN	DESCRIPTION	DATE	MODIFIED
1		RELEASE	Mar-16-21	
2	R4768N	CHANGE THE RATING VOLTAGE	2020.9.21	
3	R4635W	CHANGE THE STRUCTURE	2021.3.16	

NOTES:

1. MATERIAL:

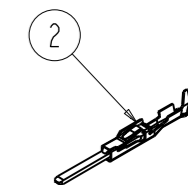
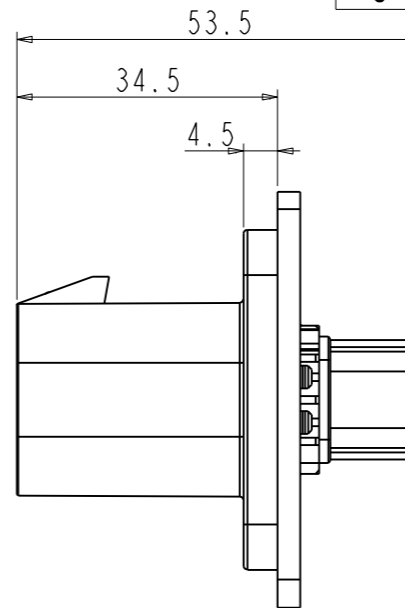
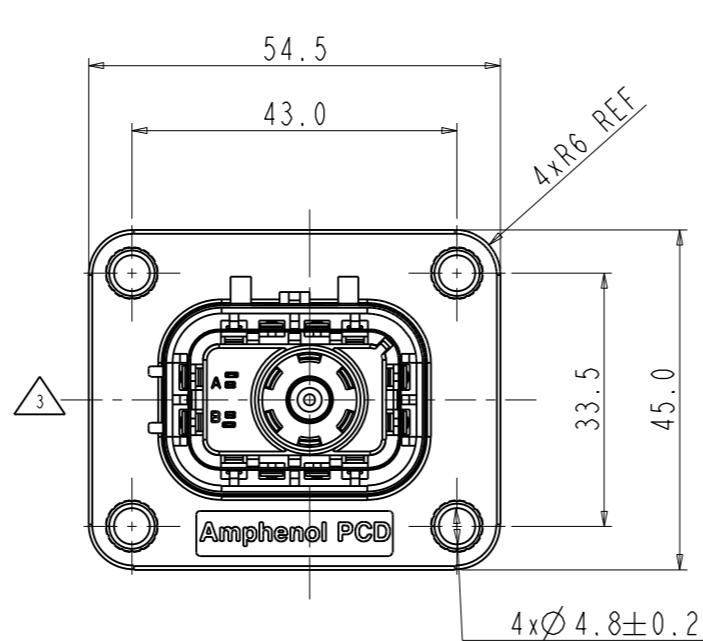
HOUSING: PA66 UL94 V-0
POWER CONTACT: COPPER ALLOY, AG PLATED
HVIL PIN: COPPER ALLOY TIN PLATED
SEAL SILICONE

2. TIGHT TORQUE WITH MOUNTING PLATE 3 N.m

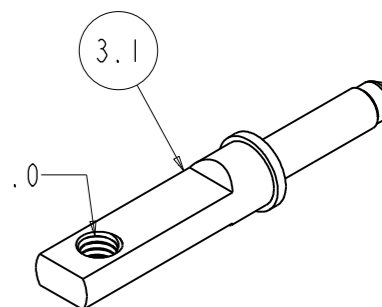
BUS-BAR TERMINAL(M6): 5.3 N.m

✦ 3. RoHS COMPLIANCE

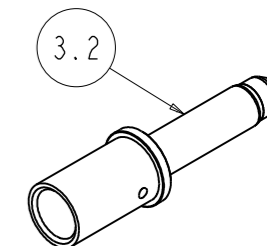
4. DUST CAP NUMBER: P03BR00062 (PURCHASED SEPARATELY)



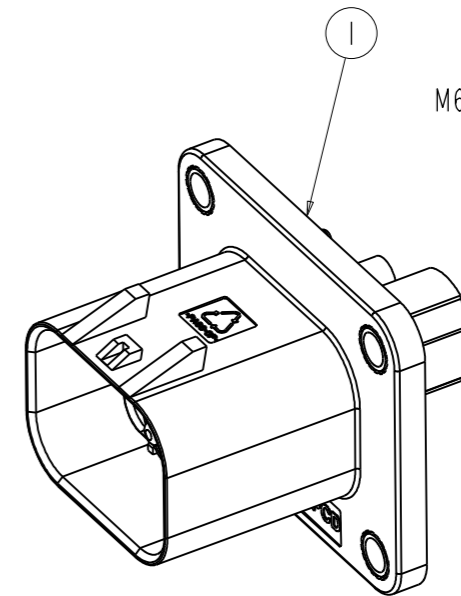
P/N: C310003613S



P/N: C420003625

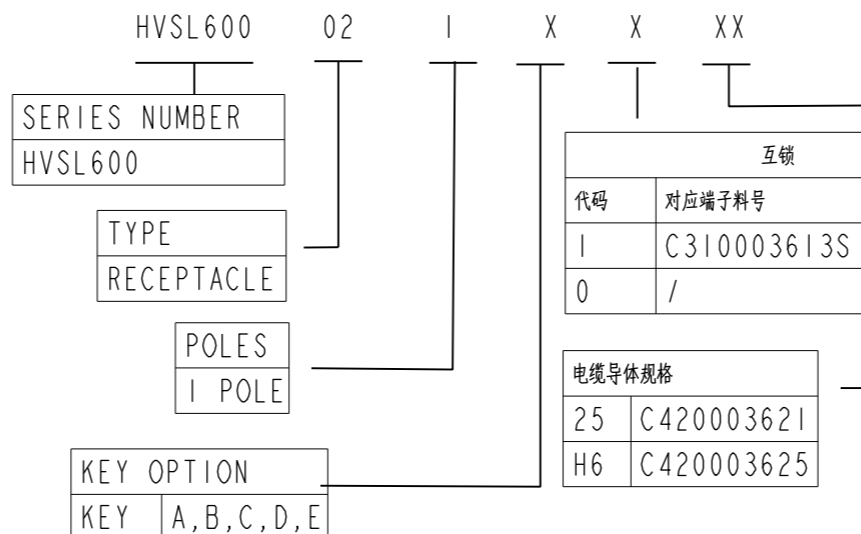


P/N: C420003621



TECHNICAL DATA

TECHNICAL DATA		
CURRENT RATE	SIGNAL CONTACT: 5A (0.5mm ² : OUTSIDE DIAMETER Ø 1.4~1.9mm)	✦
	POWER CONTACT: 120A (25mm ²)	
UL RATING VOLTAGE (OVERVOLTAGE CATEGORY II POLLUTION DEGREE 2)	POWER CONTACT: 1000V DC	
WITHSTANDING VOLTAGE	POWER CONTACT: 3000V AC	✦
	SIGNAL CONTACT: 660V AC	
INSULATION RESISTANCE	200 MΩ min	✦
WATERPROOF (MATED CONDITION)	IP 67, IP6K9K	✦
IP FOR FINGER TOUCH (UNMATED CONDITION)	IP2XB	✦
SHIELDING FUNCTION	YES	
MAX MATING CYCLES	50 TIMES	◎
OPERATING TEMPERATURE	-40~125 C	
RoHS COMPLIANCE	YES	✦



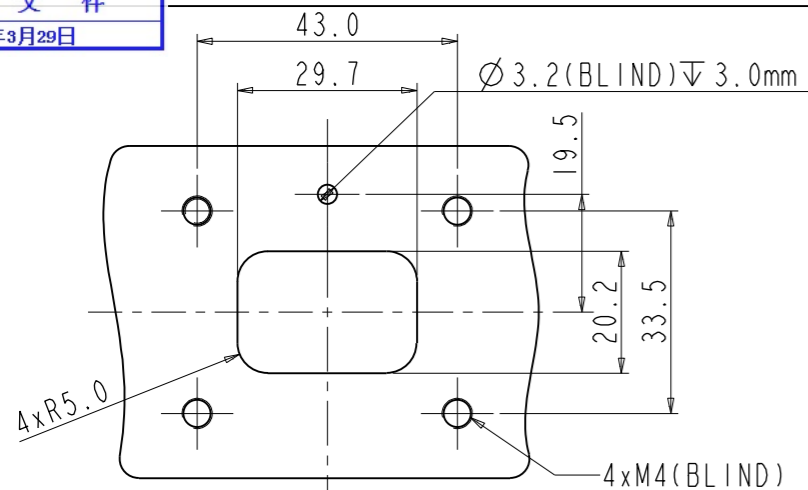
ASSY. P/N	NO.	COMPONENT P/N	DESCRIPTION	QTY.	RM
HVSL600021XXXX	3.2	C420003621	CRIMP TERMINAL	1	OPTIONAL
	3.1	C420003625	BUS-BAR TERMINAL	1	OPTIONAL
	2	C310003613S	HVIL CONTACT	2	
	1	HVSL600021	RECEPTACLE	1	

DIMENSIONS	TOLERANCES	PROJECTION	TITLE		
ANSI Y14.5M UNITS: MM Pro/E FILE	.X ±0.5 .XX ±0.05 ANGLES ±2°		HVSL600 RECEPTACLE ASSEMBLY		
ORIGINAL	THIS DOCUMENT CONTAINS PROPRIETARY INFORMATION WHICH IS THE CONFIDENTIAL PROPERTY OF Amphenol PCD Shenzhen Co. Ltd. Amphenol PCD Shenzhen Co. Ltd RESERVES THE RIGHT TO CLARIFY THIS DRAWING	ENGR CHKD APPD	Mar-16-21	SIZE A3	DWG NO. C-HVSL600021XXXX
				REV 3	
			CODE: 58982	SCALE: 1:1	SHEET 1 OF 2

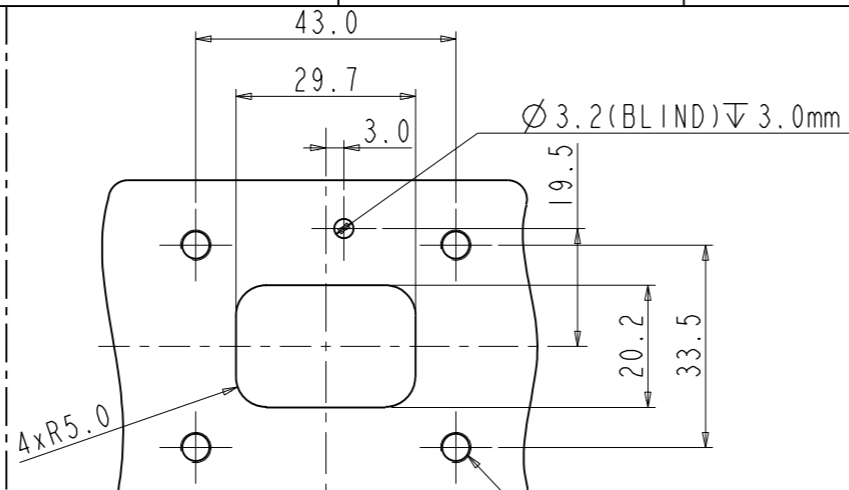
✦ CRITICAL CHARACTERISTIC MARKS / 关键特性符号
◎ IMPORTANT CHARACTERISTIC MARKS / 重要特性符号

C-HVSL600021XXXX

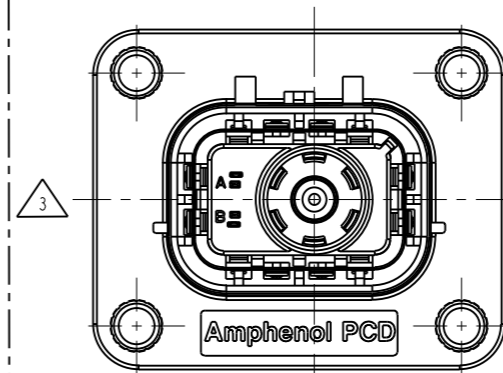
C-HVSL600021XXXX



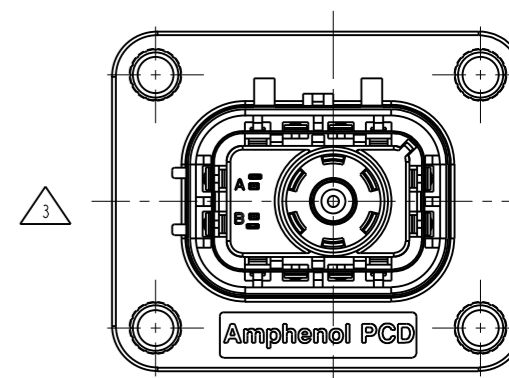
比例 4:5
HVSL600 02 I A X XX



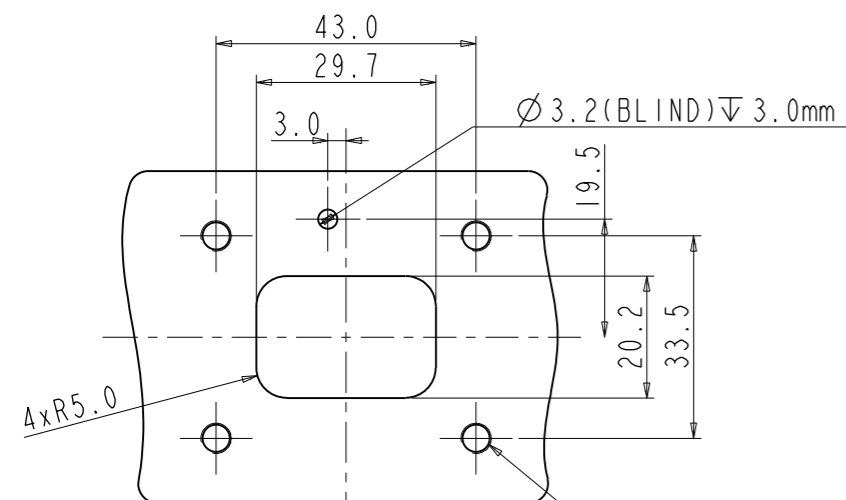
比例 4:5
HVSL600 02 I D X XX



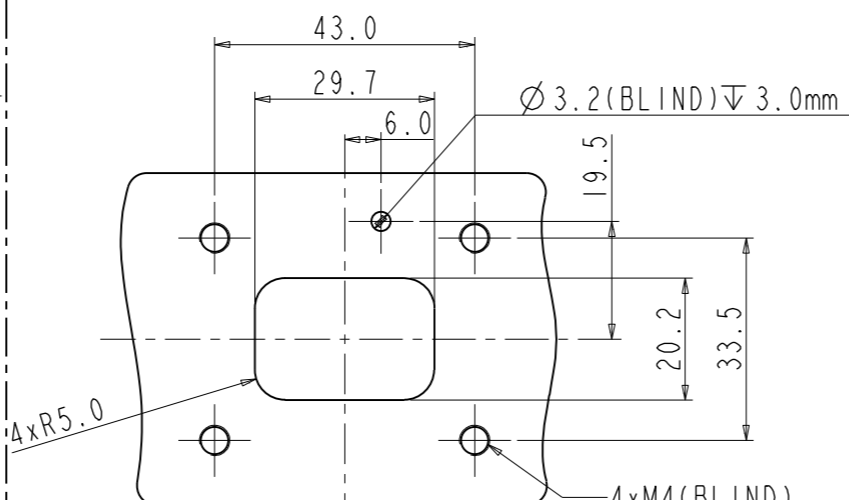
KEY D
HVSL600 02 I D X XX



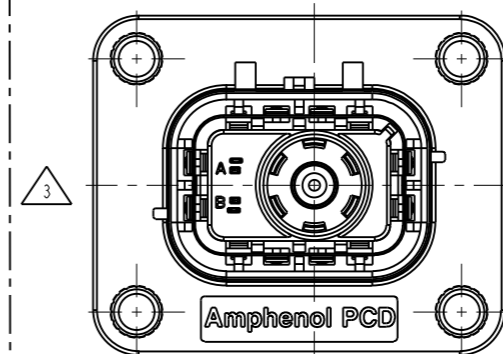
KEY A
HVSL600 02 I A X XX



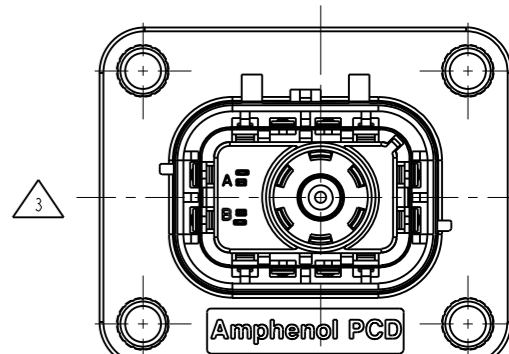
比例 4:5
HVSL600 02 I B X XX



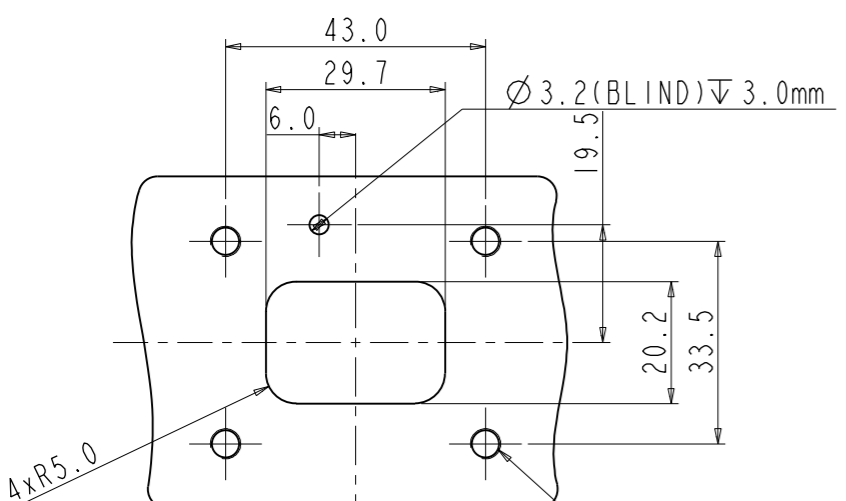
比例 4:5
HVSL600 02 I E X XX



KEY E
HVSL600 02 I E X XX

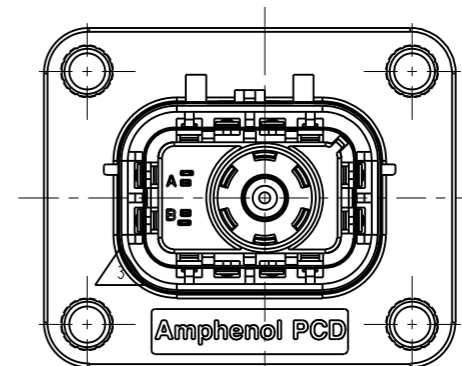


KEY B
HVSL600 02 I B X XX



比例 4:5
HVSL600 02 I C X XX

MOUNTING INTERFACE SPECIFICATION
RECOMMENDED THICKNESS: 3.0mm Min



KEY C
HVSL600 02 I C X XX

SIZE	DWG NO.	REV
A3	C-HVSL600021XXXX	3
CODE: 58982	SCALE: 1:1	SHEET 2 OF 2

C-HVSL600021XXXX

C-HVSL600021XXXX