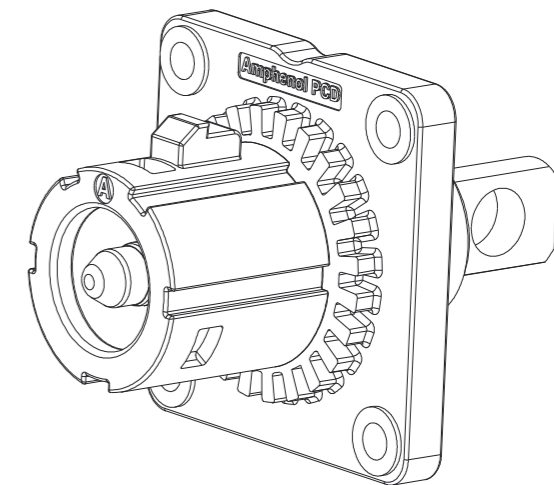
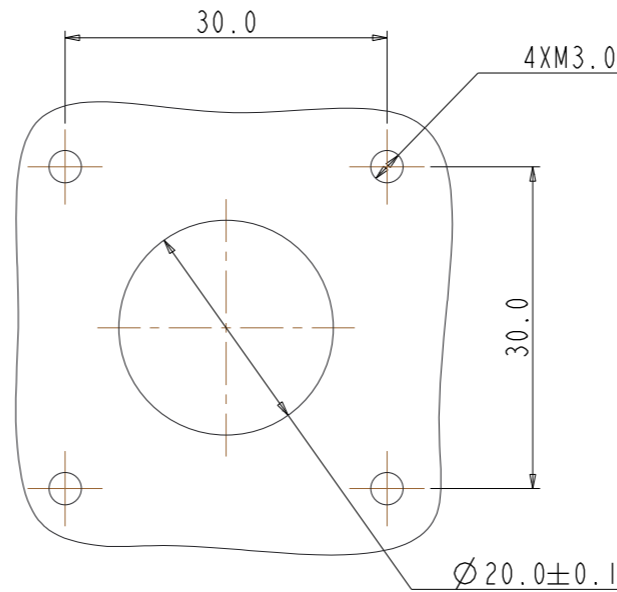
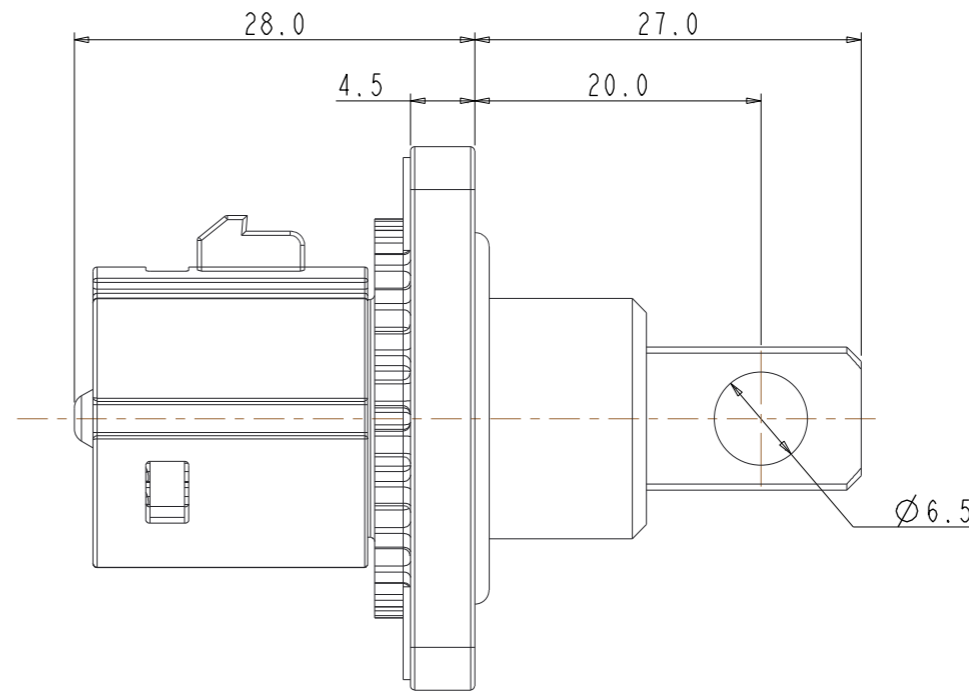
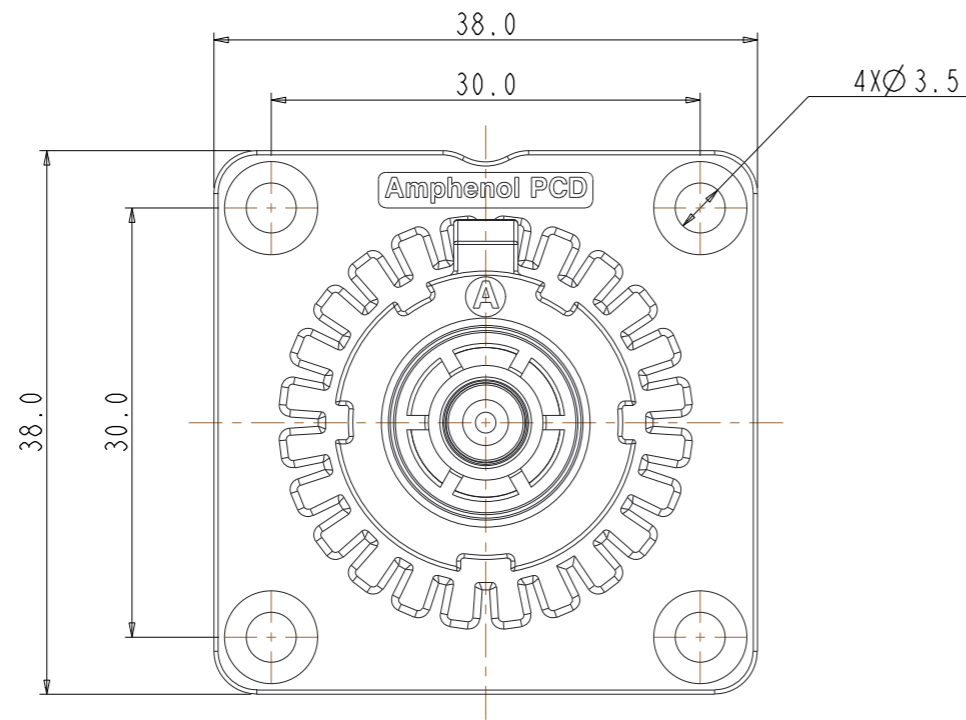


REV	ECN	DESCRIPTION	DATE	MODIFIED
A		FIRST RELEASE	2015.11.20	S.T



NOTE:
 ABOUT THE * STAND FOR IN PART NUMBER HVSP-OR6-MH*
 -THE * STAND FOR COLOR OF INSULATOR(SEE TABLE 1)

PART NO.	A1	A2	A3	A4
HVSP-OR6-MHA	90°	150°	90°	150°
HVSP-OR6-MHB	90°	120°	90°	120°
HVSP-OR6-MHC	120°	150°	120°	150°
HVSP-OR6-MHD	120°	150°	90°	150°
HVSP-OR6-MHE	90°	150°	120°	150°

TABLE 1

TECHNICAL DATA	
CURRENT RATE(25MM ² CABLE)	UP TO 120A
UL RATING VOLTAGE (OVERVOLTAGE CATEGORY II POLLUTION DEGREE 2)	1000V DC
OPERATING TEMPERATURE	-40~125°C
DIELECTRIC WITHSTANDING VOLTAGE	3000V AC
INSULATION RESISTANCE	2000MΩ MIN. 25°C, NO CABLE
DURABILITY	200 CYCLES
SHIELDING	NO
WATERPROOF(MATED CONDITION)	IP 67
AMBIENT TEMPERATURE	-40~70°C
PROTECTION LEVEL	IP2XB

DIMENSIONS	TOLERANCES	PROJECTION	TITLE		
ANSI Y14.5M UNITS: MM Pro/E FILE	X ±0.3 XX ±0.10 ANGLES ±0.5°		Amphenol Pcd Shenzhen		
			ENGR	S.T	2015.11.20
			CHKD		
			APPD		
ORIGINAL NOT FOR CUSTOMER DISTRIBUTION	THIS DOCUMENT CONTAINS PROPRIETARY INFORMATION WHICH IS THE CONFIDENTIAL PROPERTY OF AMPHENOL PCD SHENZHEN		SIZE	DWG NO.	REV
			A3	HVSP-OR6-MHX	A
			CODE: 58982	SCALE: 2:1	SHEET 1 OF 1

HVSP-OR6-MHX

HVSP-OR6-MHX