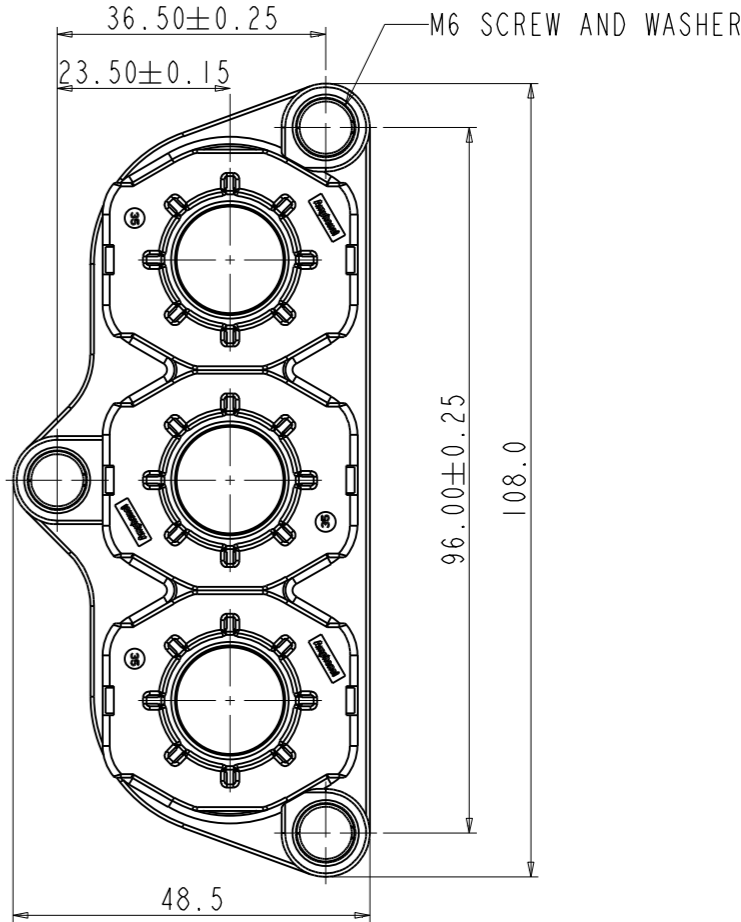
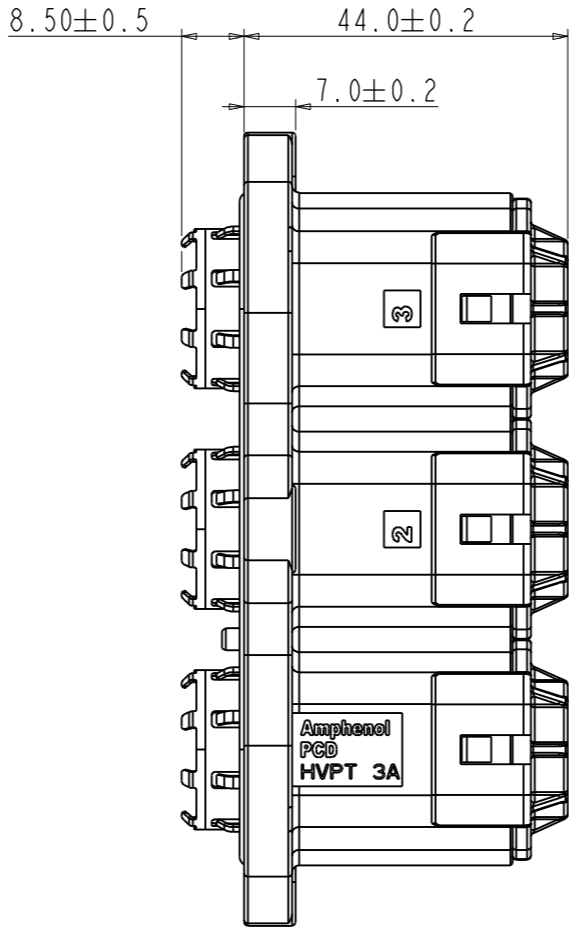
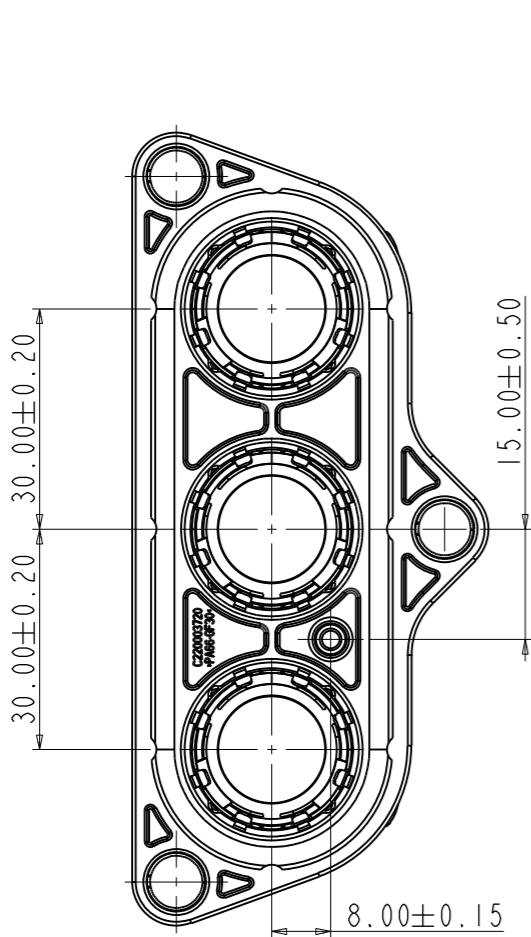


C-HVPT3XXX

Amphenol PCDSZ
ORIGINAL
PDF Format
R&D

REV	ECN	DESCRIPTION	DATE	MODIFIED
3		PRE-RELEASE	Apr-08-16	JC
4	C3168	ADD EXPLOSIVE VIEW	FEB-25-19	SEVN



HVPT 3A XX

- 25: FOR 25mm² Shielded WIRE;OD = 11.9 ± 0.4mm
- 35: FOR 35mm² Shielded WIRE;OD = 14.2 ± 0.4mm.
- 50: FOR 50mm² Shielded WIRE;OD = 16.5 ± 0.4mm
- 70: FOR 70mm² Shielded WIRE;OD = 19.0 ± 0.4mm

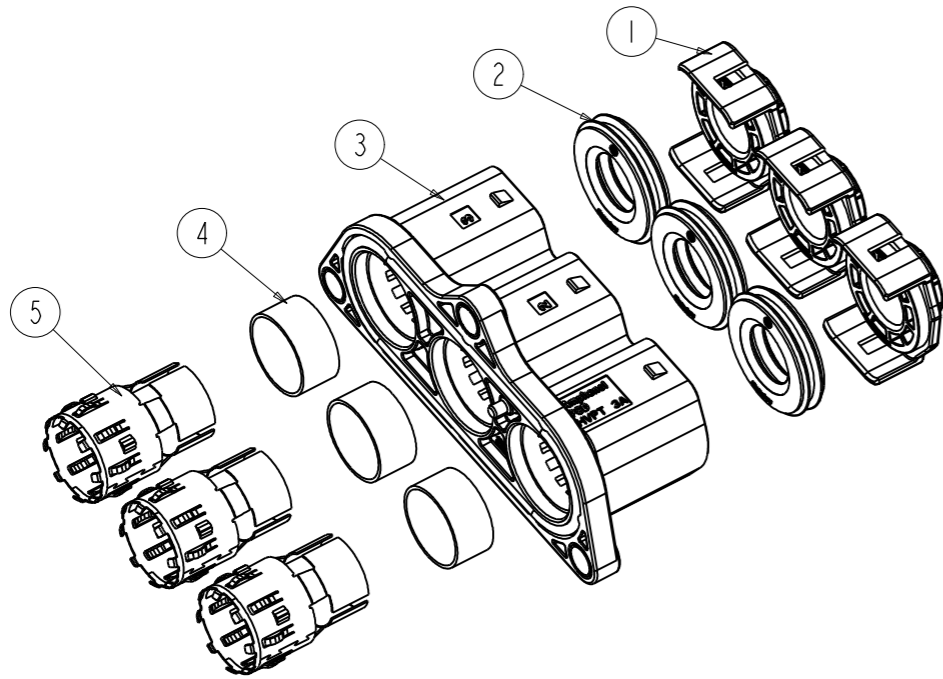
TECHNICAL DATA

OPERATING TEMPERATURE	-40 ~ 125 °C
SHIELDING	YES
WATERPROOF(MATED CONDITION)	IP67
AMBIENT TEMPERATURE	-40 ~ 70 °C

DIMENSIONS	TOLERANCES	PROJECTION	TITLE		
ANSI Y14.5M UNITS: MM Pro/E FILE	.X ±0.5 .XX ±0.25 ANGLES ±0.5°		Amphenol Pcd Shenzhen ENGR JC Apr-08-16 CHKD <i>Sevay</i> APPD <i>Jouk</i>		
ORIGINAL NOT FOR CUSTOMER DISTRIBUTION	THIS DOCUMENT CONTAINS PROPRIETARY INFORMATION WHICH IS THE CONFIDENTIAL PROPERTY OF AMPHENOL PCD SHENZHEN				
			SIZE A3	DWG NO. C-HVPT3XXX	REV 4
			CODE: 58982	SCALE: 1:1	SHEET 1 OF 2

C-HVPT3XXX

C-HVPT3XXX

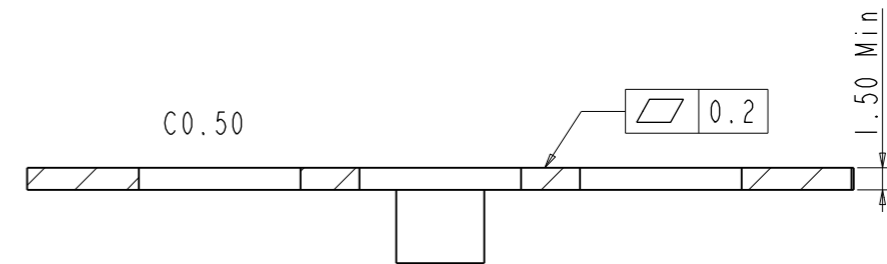
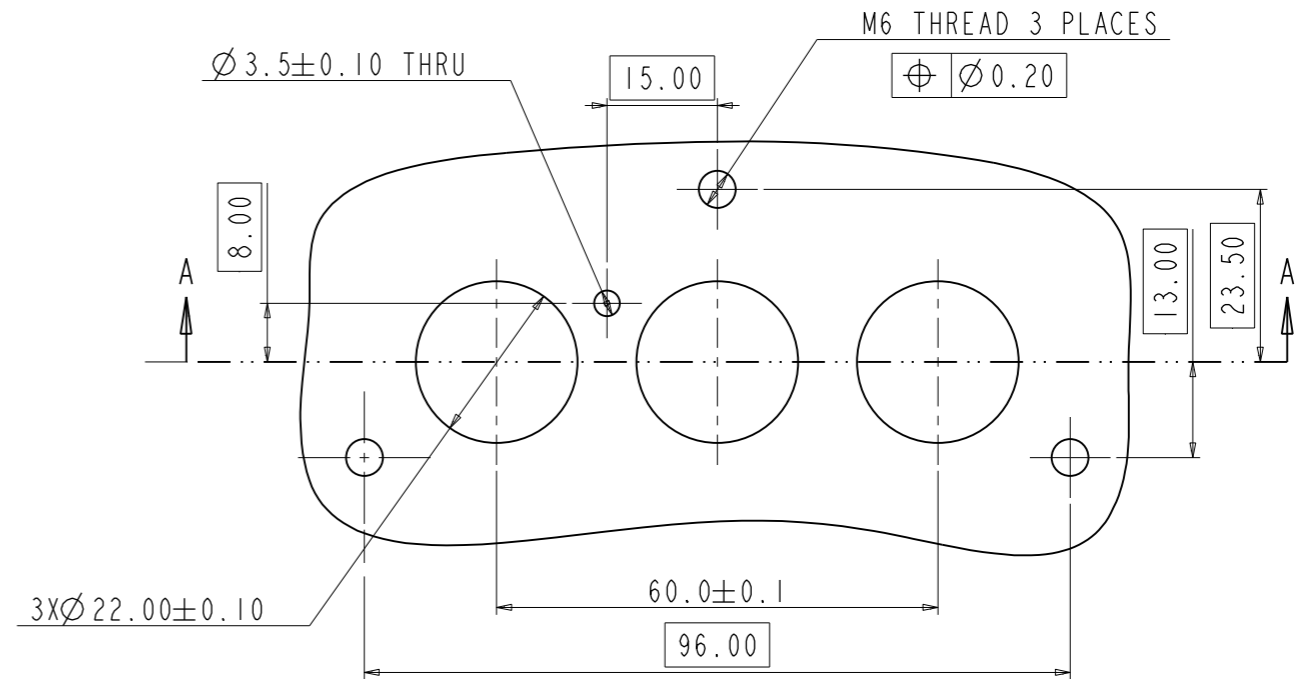


HVPT3A25	5	C310003642	3	SHIELDING
	4	C2000036633	3	OUT FERRULE
	3	HVPT3A	1	HOUSING
	2	C2700036043	3	CABLE SEAL
	1	C2200037253	3	BACK CAP
	ITEM	P/N	QTY	DESCRIPTION

HVPT3A35	5	C310003643	3	SHIELDING
	4	C2000036632	3	OUT FERRULE
	3	HVPT3A	1	HOUSING
	2	C2700036042	3	CABLE SEAL
	1	C2200037252	3	BACK CAP
	ITEM	P/N	QTY	DESCRIPTION

HVPT3A50	5	C310003641	3	SHIELDING
	4	C2000036631	3	OUT FERRULE
	3	HVPT3A	1	HOUSING
	2	C2700036041	3	CABLE SEAL
	1	C2200037251	3	BACK CAP
	ITEM	P/N	QTY	DESCRIPTION

HVPT3A70	5	C310003645	3	SHIELDING
	4	C2000036630	3	OUT FERRULE
	3	HVPT3A	1	HOUSING
	2	C2700036044	3	CABLE SEAL
	1	C2200037254	3	BACK CAP
	ITEM	P/N	QTY	DESCRIPTION



SECTION A-A

SIZE A3	DWG NO. C-HVPT3XXX	REV 4
CODE: 58982	SCALE: 1:2	SHEET 2 OF 2