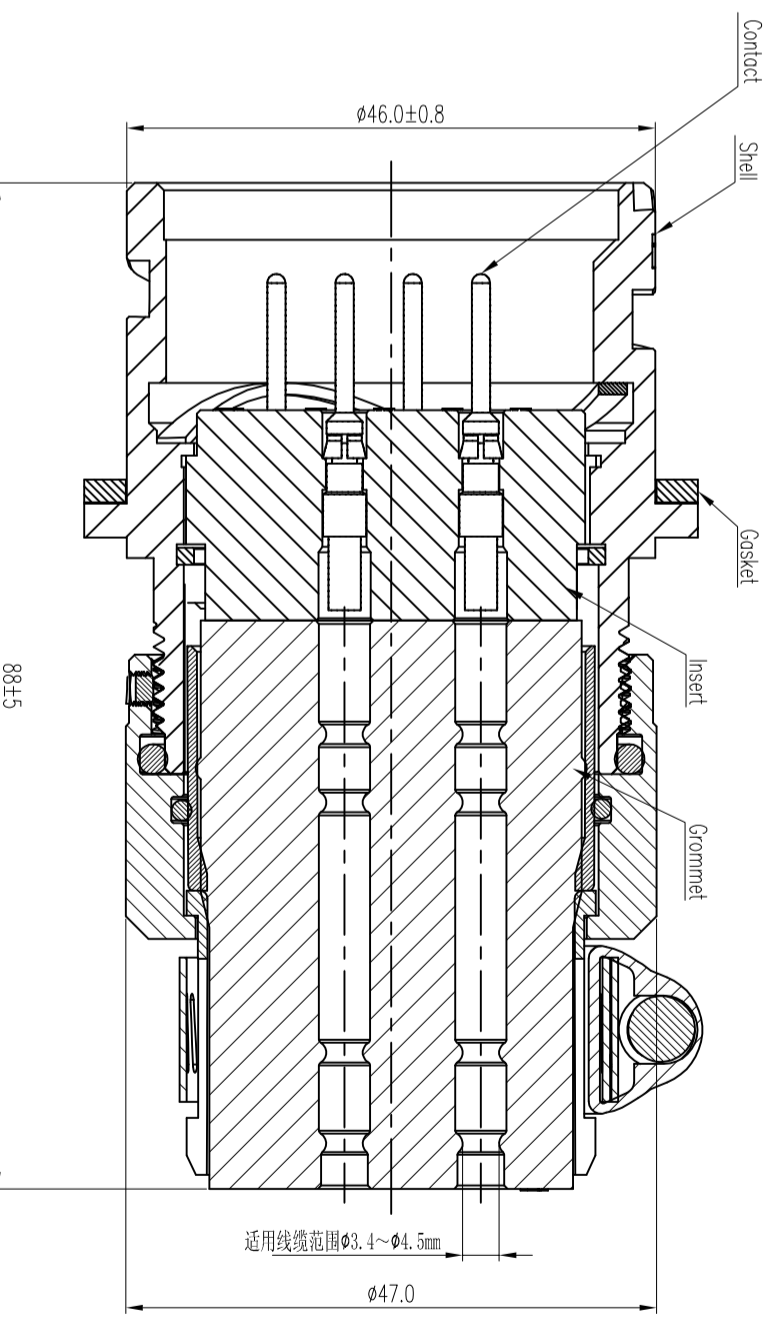
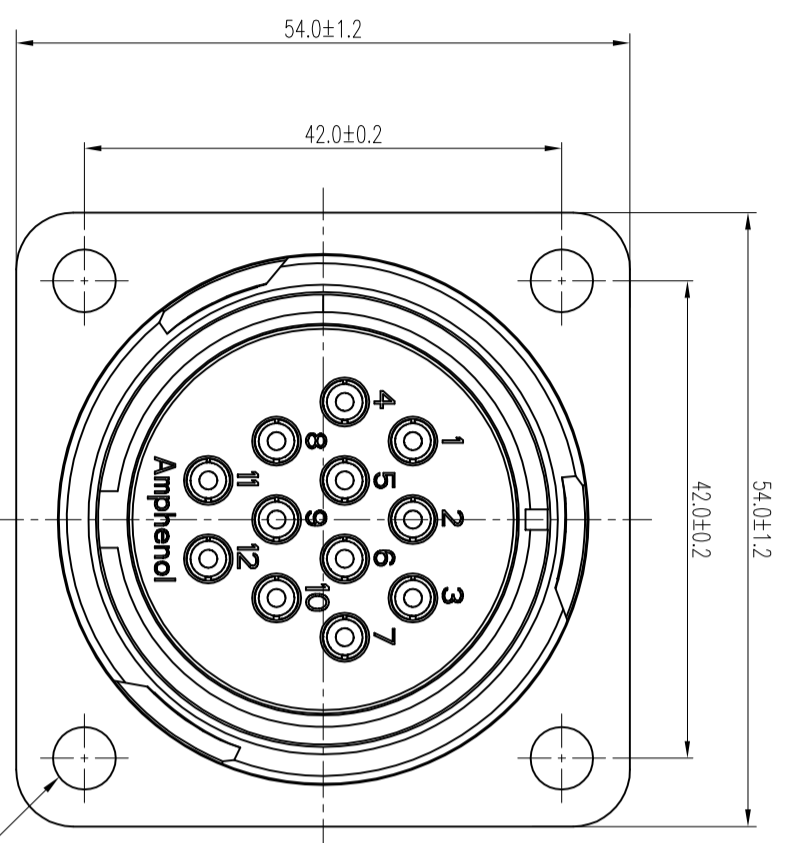


REV	ECN	DESCRIPTION	DATE	MODIFIED
1		PRE-RELEASE	06-Nov-14	ORANGE



***Notes:**

Material \ Finish

材质\表面处理
 Shells : Aluminum alloy/ Olive drab zinc plated
 外壳: 铝合金\镀军绿锌
 Insert : Thermoplastics UL94-V0
 插芯: 热塑料 UL94-V0
 Contact : 12x #16 Pin contact (1.0~1.5mm²)
 端子: 12X#16公针 (1.0~1.5平方)
 Copper alloy / Silver plated / crimp type
 铜合金/镀银/压接式
 Grommet(密封橡胶): Silicone(硅胶)

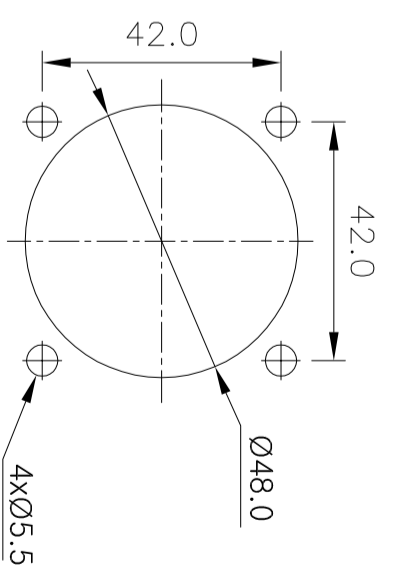
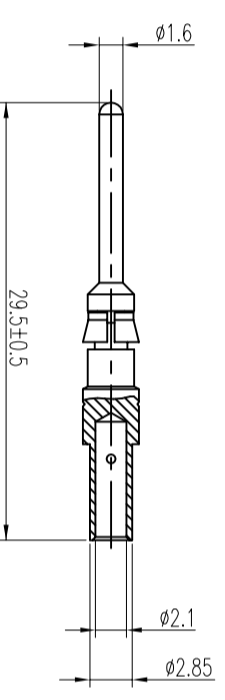
Mechanical data (机械性能)

Operating Temperature (使用温度范围) : -55°C ~ +125°C
 IP-Class (防水等级) : IP67
 Durability (机械寿命) : 500 cycles

Electrical data (电气参数) :

Test Voltage (Vac rms) (耐压强度) : 3000V
 Rated Current (额定电流) : 13A
 Insulation Resistance (绝缘电阻) : 5000 MΩ/Min
 Contact Resistance (接触电阻) : Less than 2.5 milliohms

Detail for contact(插针细节):
 Crimping(压接范围): 1.0~1.5 mm²
 Surface(表面处理): Silver plated (镀银)
 Contact P/N(插针料号): C420004005



Panel cut out (建议开孔尺寸)

DIMENSIONS	TOLERANCES	PROJECTION	TITLE	
ANSI Y14.5M UNITS: MM CAD FILE	X ± 0.5 XX ± 0.1 ANGLES ± 0.5°		Amphenol Pcd Shenzhen	
ORIGINAL NOT FOR CUSTOMER DISTRIBUTION	THIS DOCUMENT CONTAINS PROPRIETARY INFORMATION WHICH IS THE CONFIDENTIAL PROPERTY OF AMPHENOL PCD SHENZHEN		CHKD	SIZE
			APPD	DWG NO.
				ASGTC-0L-2812-PC-LF
			SCALE	SHEET
			3:2	1 OF 1
				REV
				1