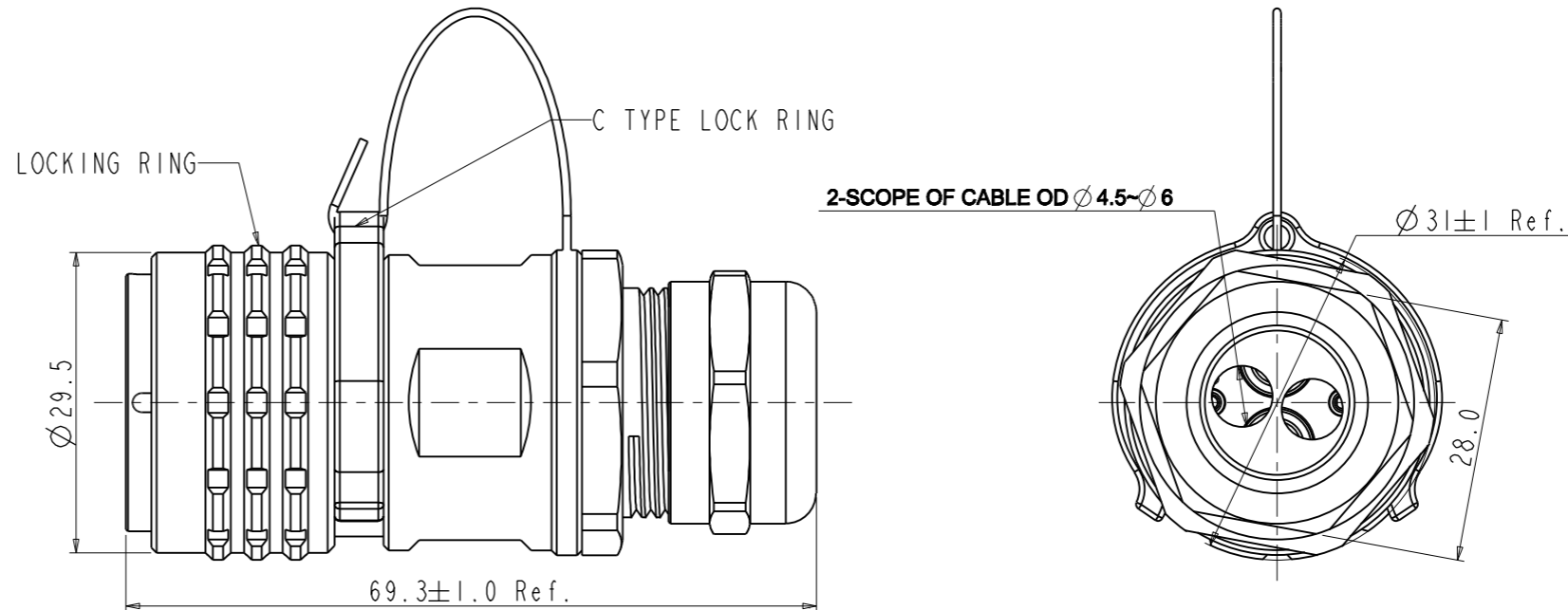


A, B HOLES FOR  $\varnothing 1.0$  INTERLOCK PIN  
1-2 HOLES FOR  $\varnothing 3.6$  POWER PIN



NOTES:

1. FINISHED PRODUCT DOES HAVE NOT THE PIN, NEED TO BUY SEPARATE.
2. THE POWER PIN P/N FOR  $10\text{MM}^2$  CABLE: HVG30F10, USE LEVEL: 2PCS  
THE POWER PIN P/N FOR  $6.0\text{MM}^2$  CABLE: HVG30F6, USE LEVEL: 2PCS
3. THE INTERLOCK PIN P/N: HVG20F1, USE LEVEL: 2PCS
4. WIHT C TYPE LOCK RING AND DUST CAP.
5. TORQUE:  $5 \sim 8\text{N} \cdot \text{M}$
6. THE SCOPE OF CABLE OD= $\varnothing 4.5 \sim \varnothing 6.0$
7. TECHNICAL DATA TABLE

CURRENT RATE ( $6\text{mm}^2$ CABLE)	40A @ AMBIENT $70^\circ\text{C}$	✦
CURRENT RATE ( $10\text{mm}^2$ CABLE)	50A @ AMBIENT $70^\circ\text{C}$	✦
UL RATING VOLTAGE (OVERVOLTAGE CATEGORY II POLLUTION DEGREE 2)	800V DC	✦
OPERATING TEMPERATURE	$-40 \sim 125^\circ\text{C}$	
DIELECTRIC WITH STANDING VOLTAGE	3000V AC	✦
INSULATION RESISTANCE	$2000\text{M}\Omega$ MIN. $25^\circ\text{C}$ , NO CABLE	✦
DURABILITY	500 CYCLES	⊙
SHIELDING	YES	⊙
WATERPROOF (MATED CONDITION)	IP 67	✦
AMBIENT TEMPERATURE	$-40 \sim 70^\circ\text{C}$	
TECHNICAL DESCRIPTION	TECHNICAL DATA	FEATURE

8. PART NUMBER DESCRIPTION:

HVG1P492FC XXX 2D X L0000

② KEY OF CODING OPTION

NO CODE: NO KEY & BLACK( $w^\circ = 0^\circ$ )  
X : KEY X & BLACK( $w^\circ = 270^\circ$ )  
Y : KEY Y & BLACK( $w^\circ = 315^\circ$ )  
Z : KEY Z & BLACK( $w^\circ = 90^\circ$ )  
W : KEY W & BLACK( $w^\circ = 45^\circ$ )  
XRD: KEY X & RED( $w^\circ = 270^\circ$ )  
YYL: KEY Y & YELLOW( $w^\circ = 315^\circ$ )  
ZBL: KEY Z & BLUE( $w^\circ = 90^\circ$ )  
WGR: KEY W & GREEN( $w^\circ = 45^\circ$ )

CABLE SIZE OPTION

6:  $6.0\text{mm}^2$  CABLE USE HVG30F6,  
USE LEVEL: 2PCS  
A:  $10\text{mm}^2$  CABLE USE HVG30F10,  
USE LEVEL: 2PCS

ANGLE CODE	ANGLE OF KEY( $w^\circ$ )	COLOR CODE	COLOR OF LOCKING RING	P/N(FOR EXAMPLE)
WITHOUT	$0^\circ$	WITHOUT	BLACK	HVG1P492FC 2D X L0000
X	$270^\circ$	RD	RED	HVG1P492FC XRD 2D X L0000
Y	$315^\circ$	YL	YELLOW	HVG1P492FC YYL 2D X L0000
Z	$90^\circ$	BL	BLUE	HVG1P492FC ZBL 2D X L0000
W	$45^\circ$	GR	GREEN	HVG1P492FC WGR 2D X L0000
X	$270^\circ$	WITHOUT	BLACK	HVG1P492FC X 2D X L0000
Y	$315^\circ$			HVG1P492FC Y 2D X L0000
Z	$90^\circ$			HVG1P492FC Z 2D X L0000
W	$45^\circ$			HVG1P492FC W 2D X L0000

9. SCOPE OF INNER UNSHIELD CABLE OUTSIDE DIAMETER :

$6.0$  &  $10\text{mm}^2$  OD  $6.0$  Max.  
INTERLOCK CABLE OD  $2.5$  Max.( $0.5 \sim 0.75\text{mm}^2$  CABLE)

DIMENSIONS	TOLERANCES	PROJECTION	TITLE		
ANSI Y14.5M UNITS: MM Pro/E FILE	.X $\pm 0.5$ .XX $\pm 0.05$ ANGLES $\pm 0.5^\circ$		TWO CORE PLUG ASSEMBLY WITH INTERLOCK		
ORIGINAL NOT FOR CUSTOMER DISTRIBUTION	THIS DOCUMENT CONTAINS PROPRIETARY INFORMATION WHICH IS THE CONFIDENTIAL PROPERTY OF AMPHENOL PCD SHENZHEN				
			CODE: 58982	SCALE: 3:2	SHEET 1 OF 1