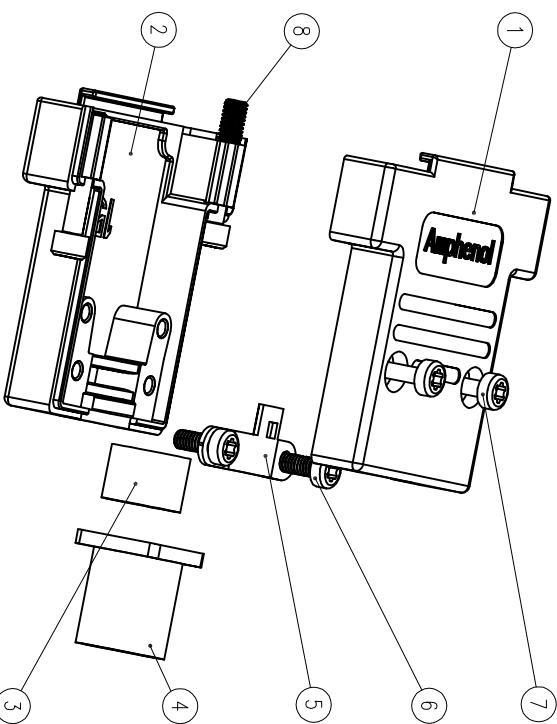
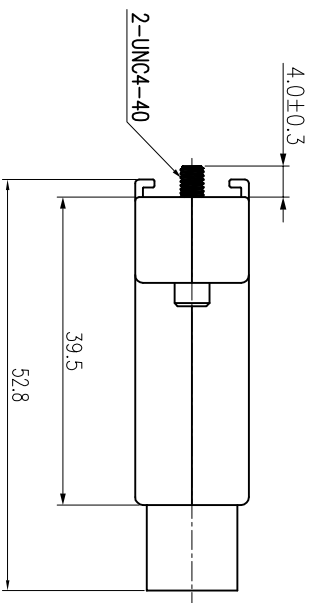
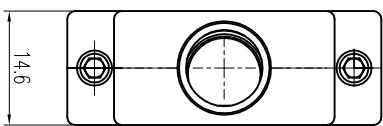
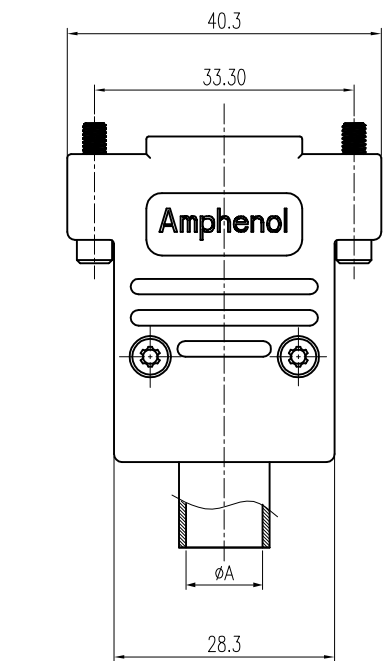


REV	EON	DESCRIPTION	DATE	MODIFIED
1		PRE-RELEASE	2011.09.02	Dell Yao
2		UPDATE	2014.04.09	Dell Yao



***Notes:**
 Material \ Finish:
 Shells : Zinc Alloy / NICKEL PLATING;

Mechanical data:
 1. Operating Temperature: -40°C ~ +120°C;
 2. Max Torque Specification for screw:
 M2.5 -- 0.5~0.6N.m;
 UNC4-40 -- 0.6~0.7N.m.

ITEM	DESCRIPTION	QTY
8	SCREW UNC4-40	2
7	SCREW M2.5X9	2
6	SCREW M2.5X6	2
5	CABLE CLAMP	1
4.2	RUBBER JACKET ($\phi A=8.9mm$)	1
4.1	RUBBER JACKET ($\phi A=10.2mm$)	1
3	SUPPORT FERRULE (OPTION)	1
2	BOTTOM COVER ASSEMBLY	1
1	TOP COVER	1

DIMENSIONS	TOLERANCES	PROJECTION
ANSI Y14.5M UNITS: MM Pro/E FILE	.X ± 0.2 .XX ± 0.10 ANGLES $\pm 0.5^\circ$	
ORIGINAL NOT FOR CUSTOMER DISTRIBUTION	THIS DOCUMENT CONTAINS PROPRIETARY INFORMATION WHICH IS THE CONFIDENTIAL PROPERTY OF AMPHENOL PCD SHENZHEN	
Amphenol Pcd Shenzhen	CHKD Dell Yao	2011.09.02
APPD		

SIZE	DWG NO.	REV
A3	APCD-VZK-15UK	2
CODE: 58982	SCALE: 3: 2	SHEET 1 OF 1
D-SUB 15PIN ASSY		